

# 17" professional display chassis drawing

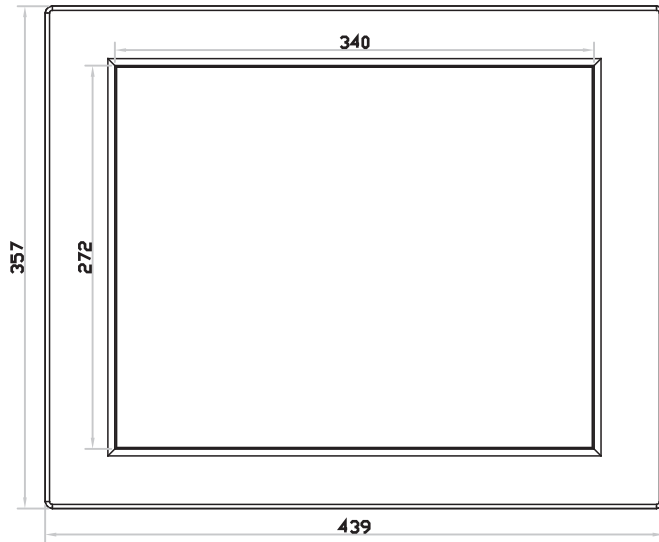
## 6mm aluminum front bezel

### Model : AP-17 / HAP-17

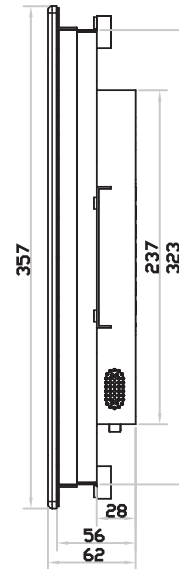


unit : mm

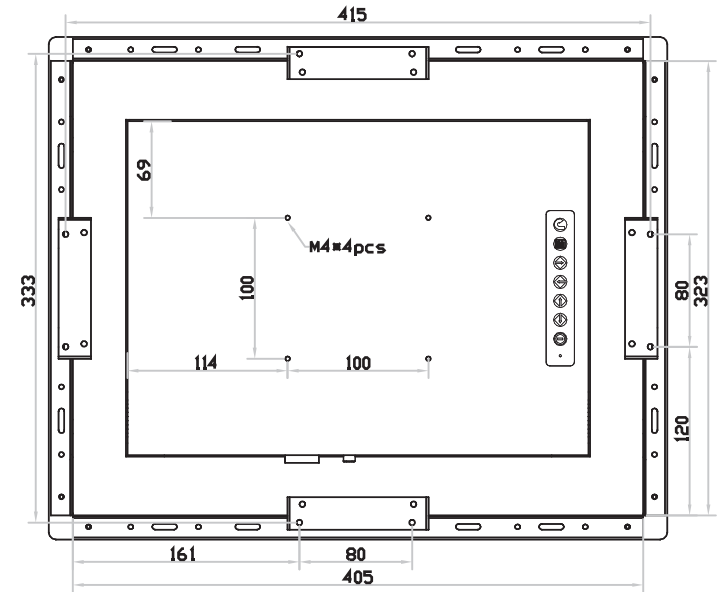
### Front View



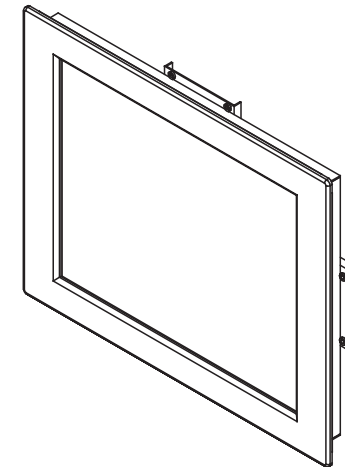
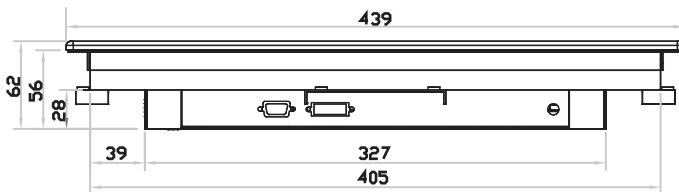
### Left-side View



### Rear View



### Bottom View



# 17" professional display chassis drawing

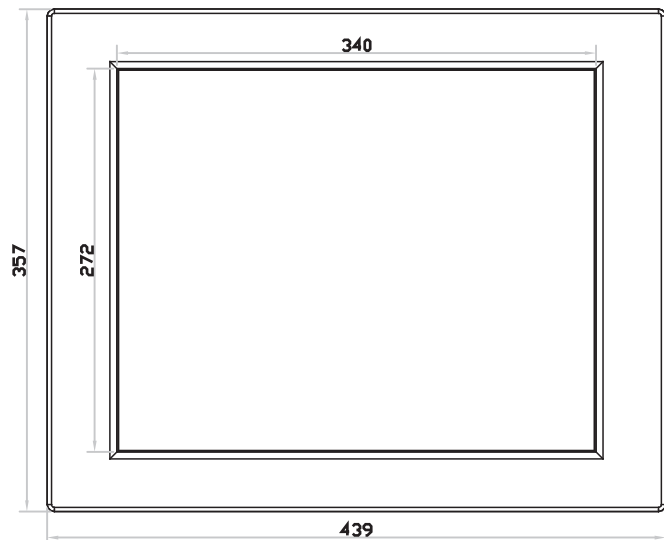
## 6mm aluminum front bezel with NEMA 4 / IP65 front protection

### Model : NAP-17 / NHAP-17

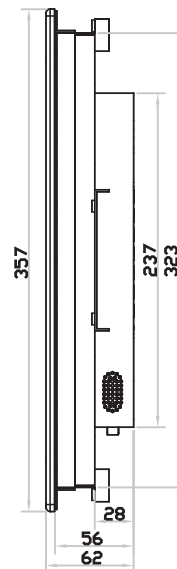


unit : mm

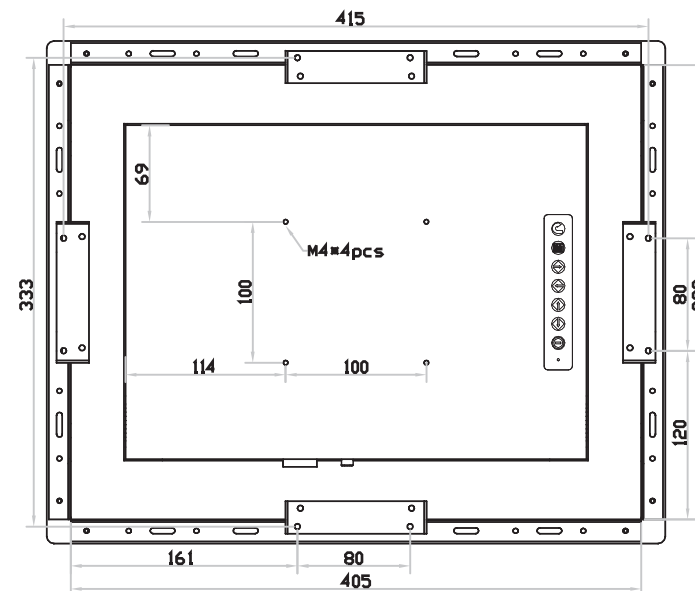
### Front View



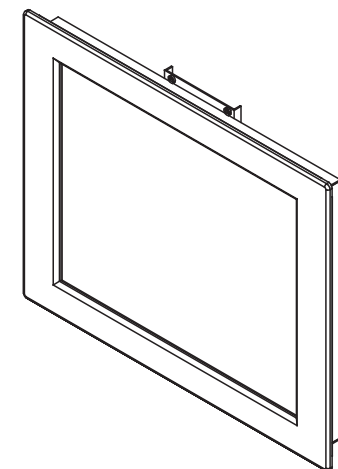
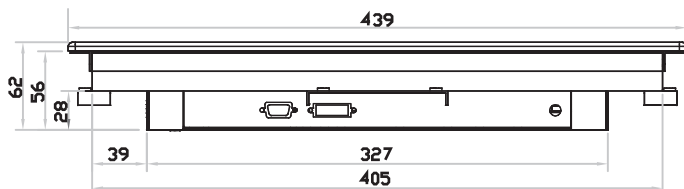
### Left-side View



### Rear View



### Bottom View



# 17" professional display chassis drawing

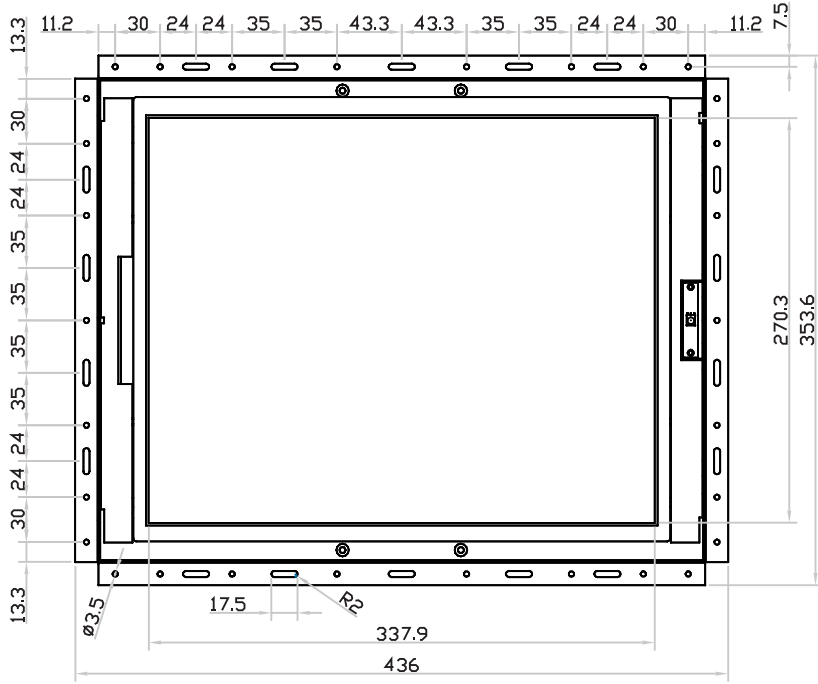
Universal open frame

Model : OP-17 / HOP-17

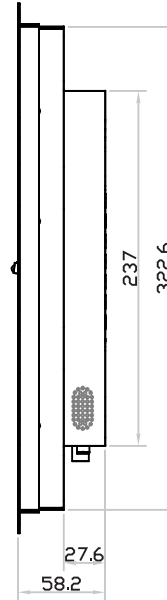
# UltraView

unit : mm

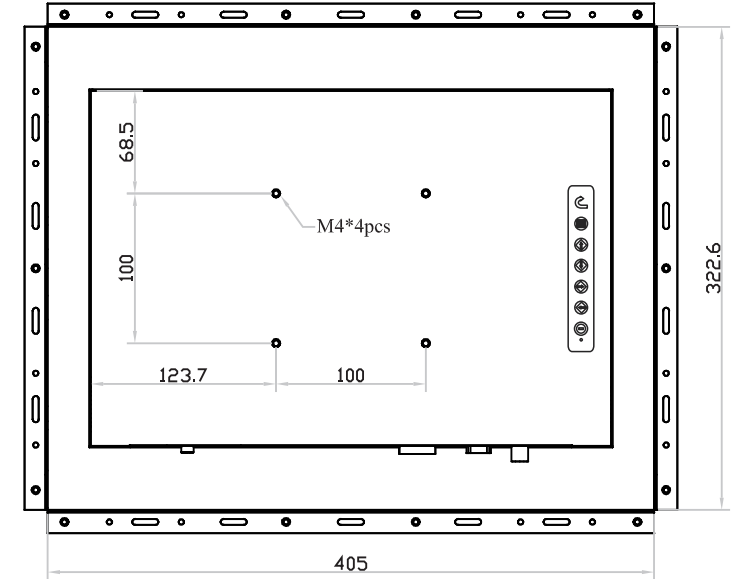
### Front View



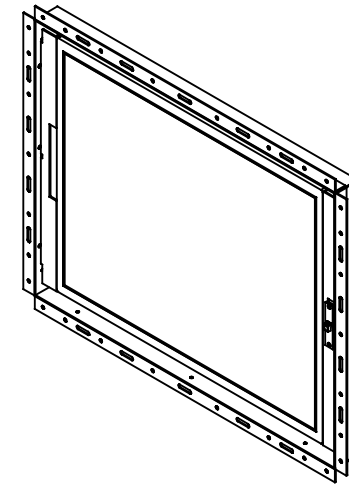
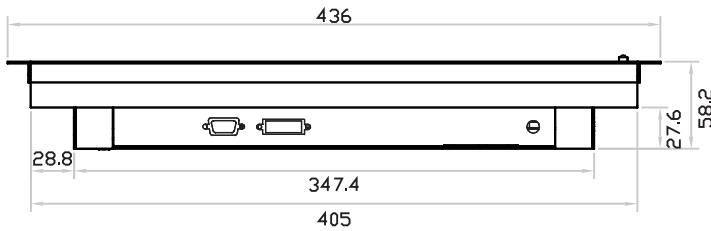
### Left-side View



### Rear View



### Bottom View



# 17" professional display chassis drawing

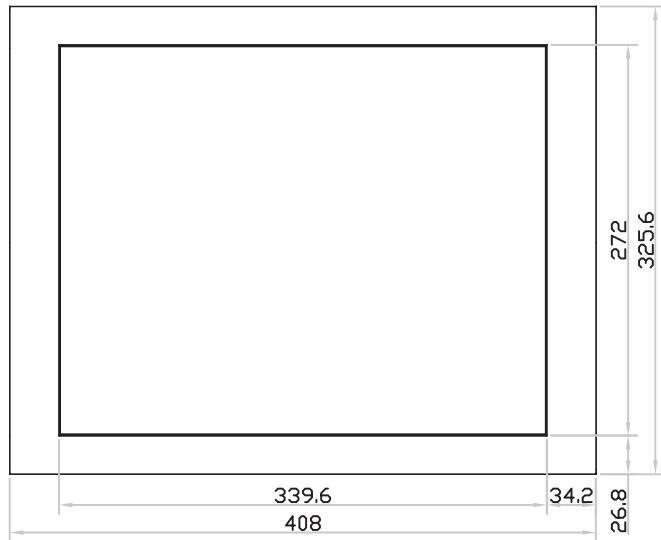
## Aluminum front cover

### Model : DP-17 / HDP-17

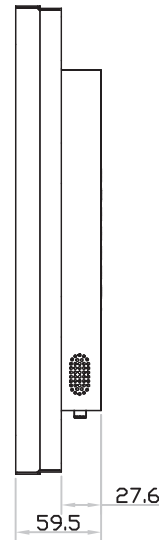
# UltraView

unit : mm

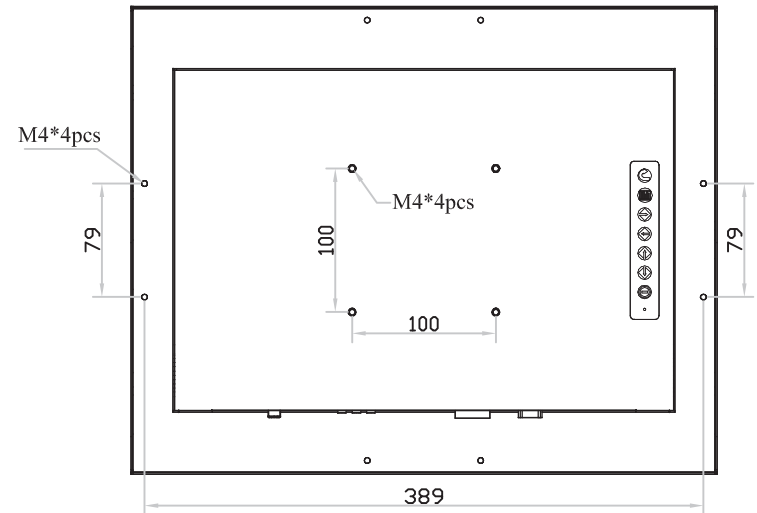
### Front View



### Left-side View



### Rear View



### Bottom View

