

19" professional display chassis drawing

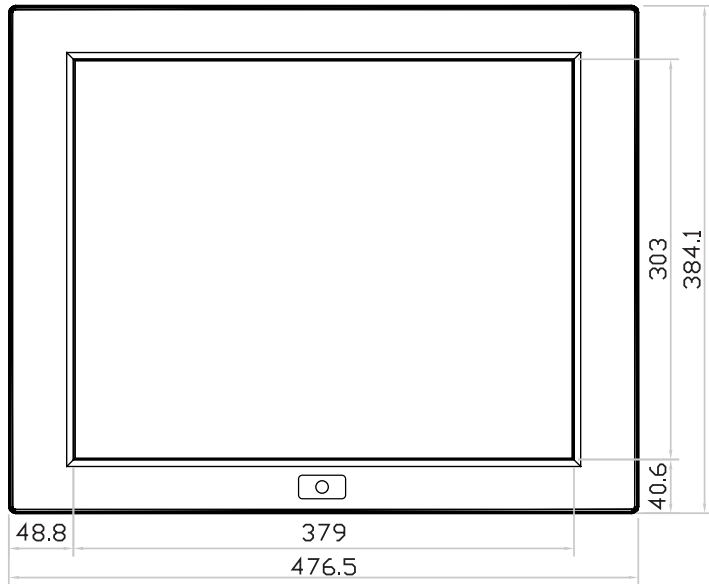
6mm aluminum front bezel

Model : AP-19 / HAP-19

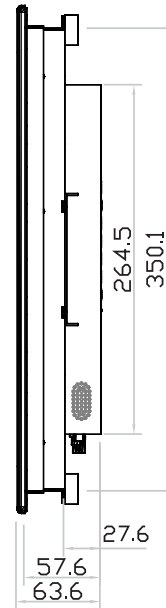


unit : mm

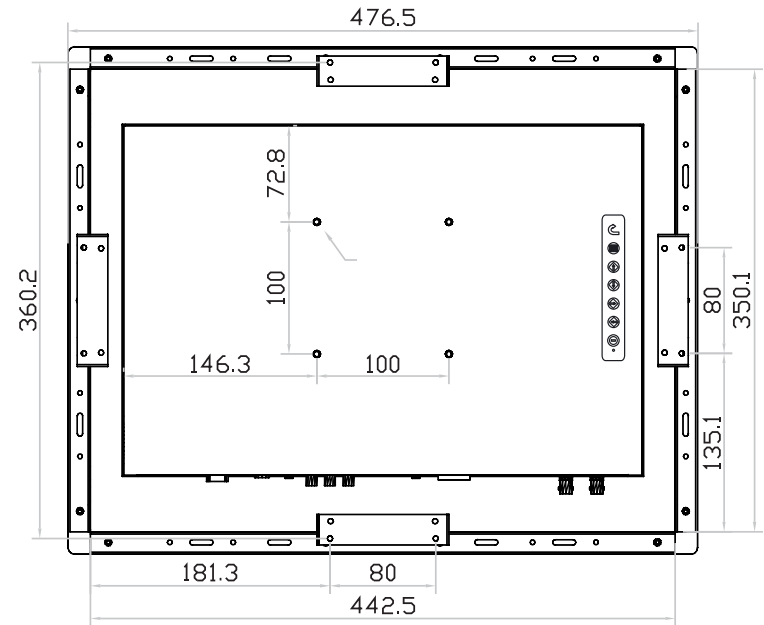
Front View



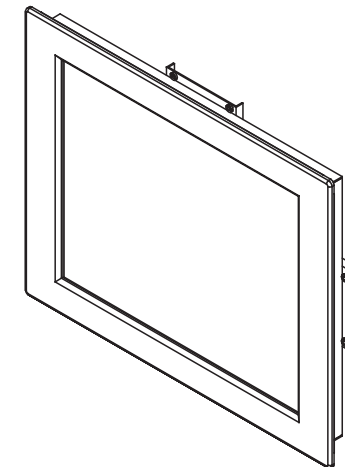
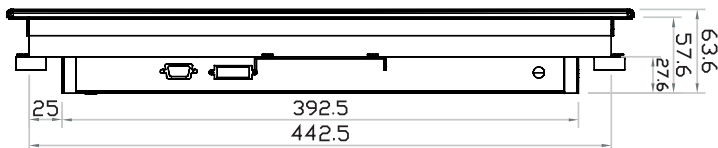
Left-side View



Rear View



Bottom View



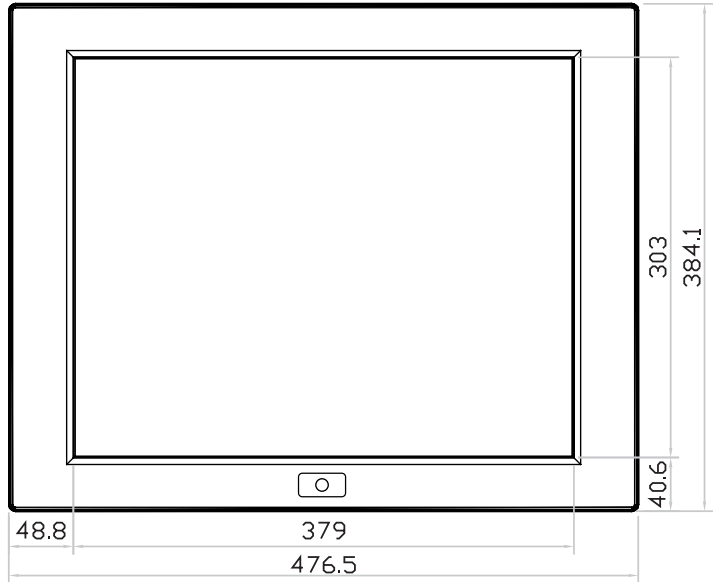
19" professional display chassis drawing

6mm aluminum front bezel with NEMA 4 / IP65 front protection

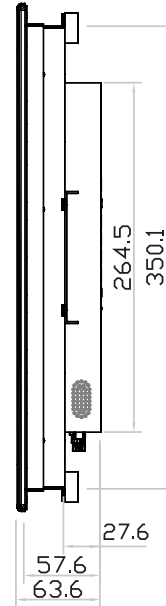
Model : NAP-19 / NHAP-19

unit : mm

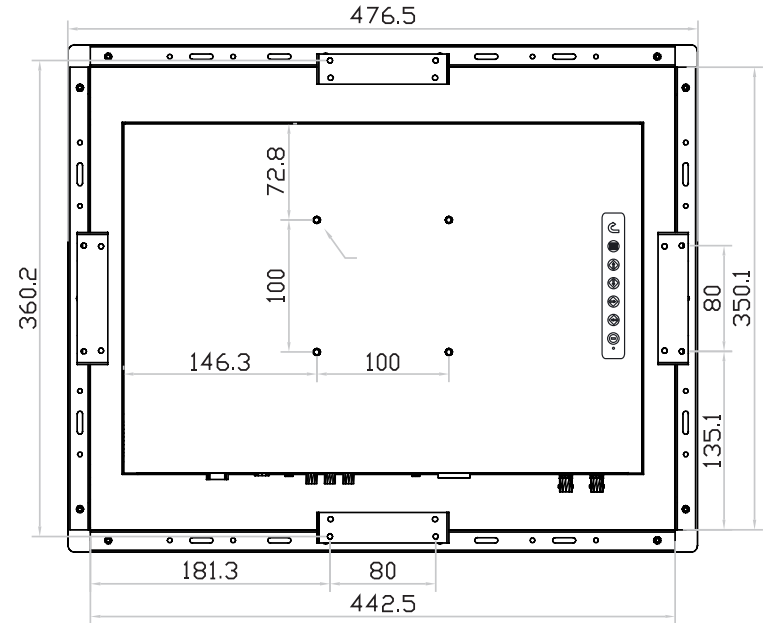
Front View



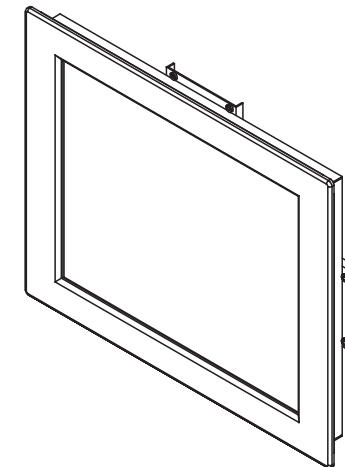
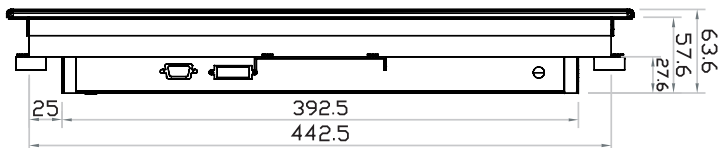
Left-side View



Rear View



Bottom View



19" professional display chassis drawing

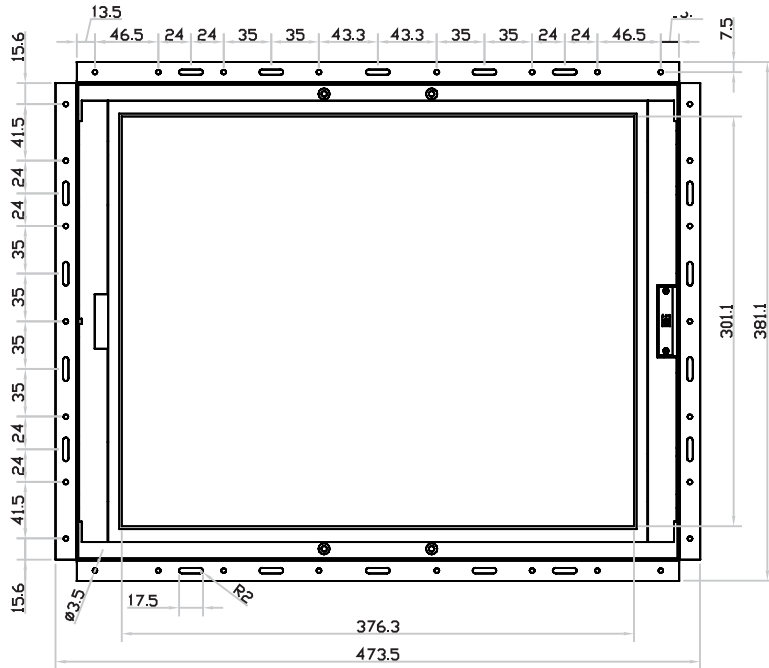
Universal open frame

Model : OP-19 / HOP-19

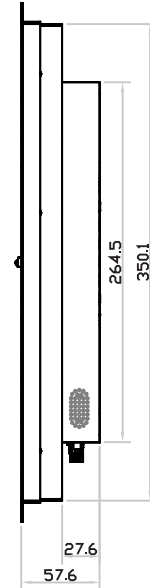
UltraView

unit : mm

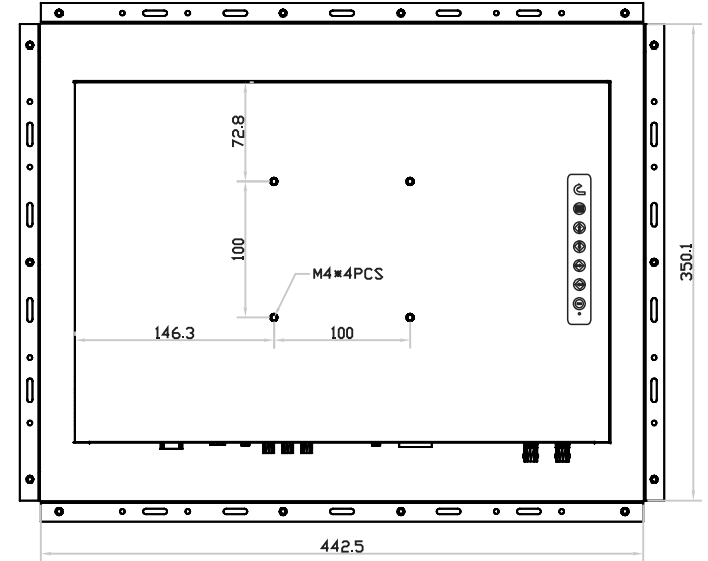
Front View



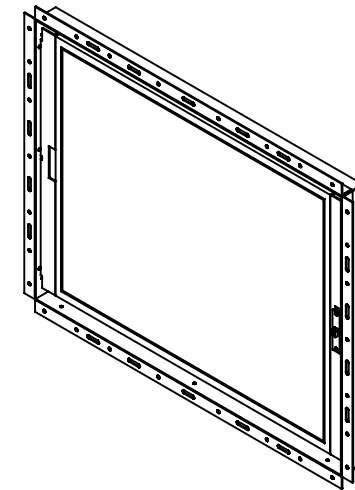
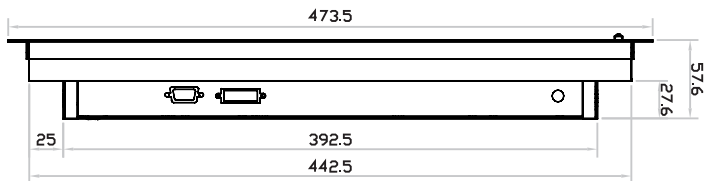
Left-side View



Rear View



Bottom View



19" professional display chassis drawing

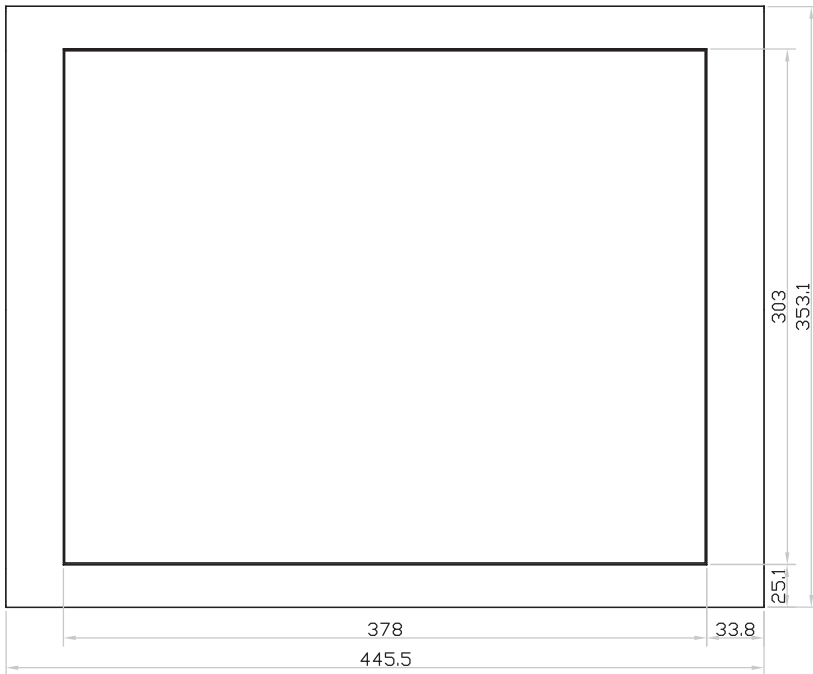
Aluminum front cover

Model : DP-19 / HDP-19

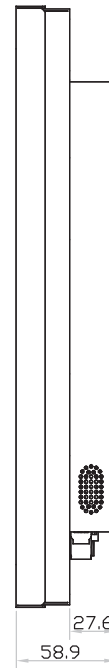


unit : mm

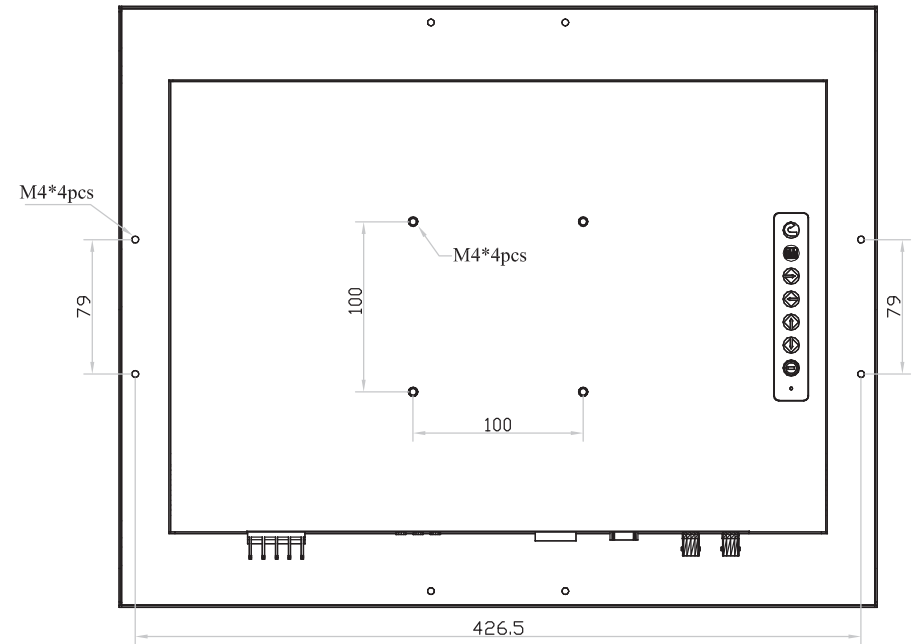
Front View



Left-side View



Rear View



Bottom View

