

# 20" professional display chassis drawing

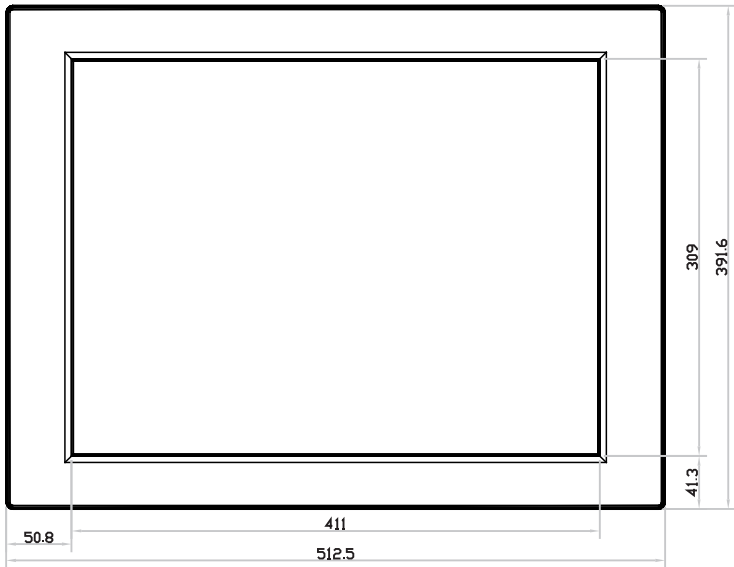
## 6mm aluminum front bezel

### Model : AP-20 / HAP-20

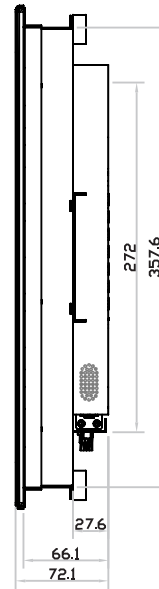


unit : mm

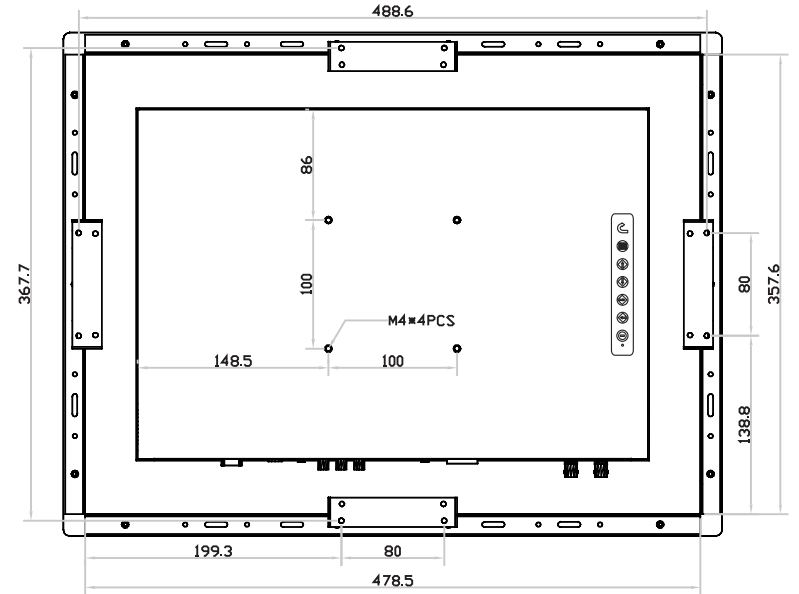
### Front View



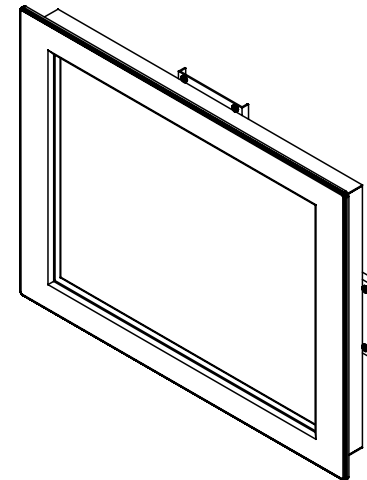
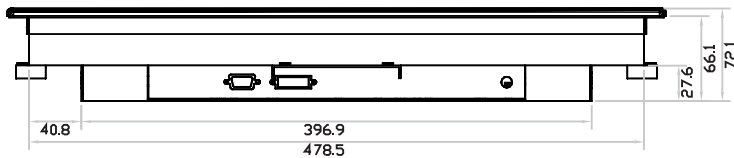
### Left-side View



### Rear View



### Bottom View



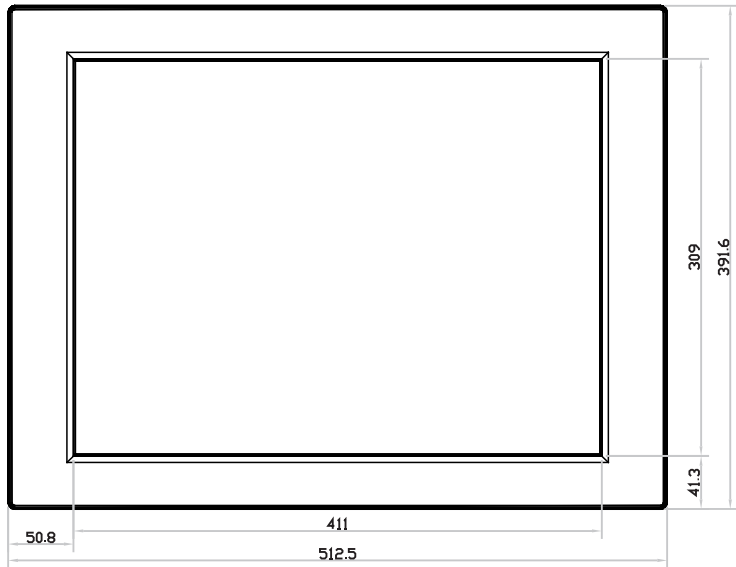
# 20" professional display chassis drawing

## 6mm aluminum front bezel with NEMA 4 / IP65 front protection

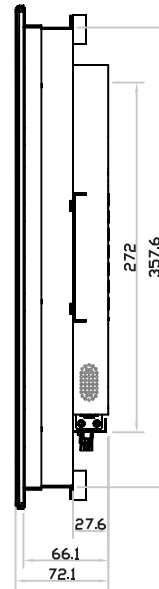
### Model : NAP-20 / NHAP-20

unit : mm

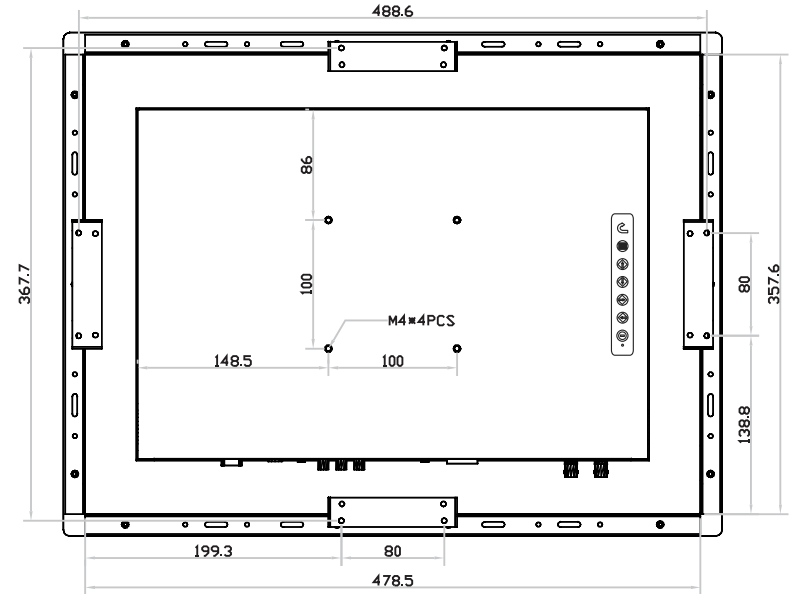
### Front View



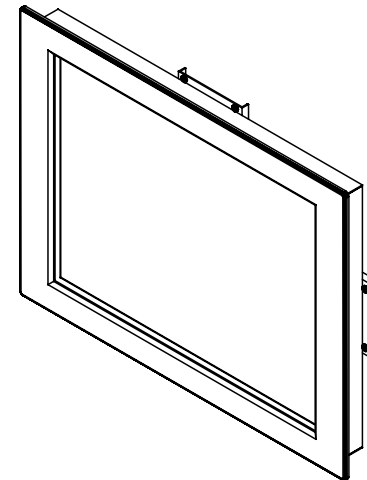
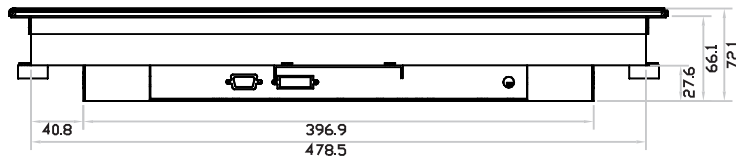
### Left-side View



### Rear View



### Bottom View



# 20" professional display chassis drawing

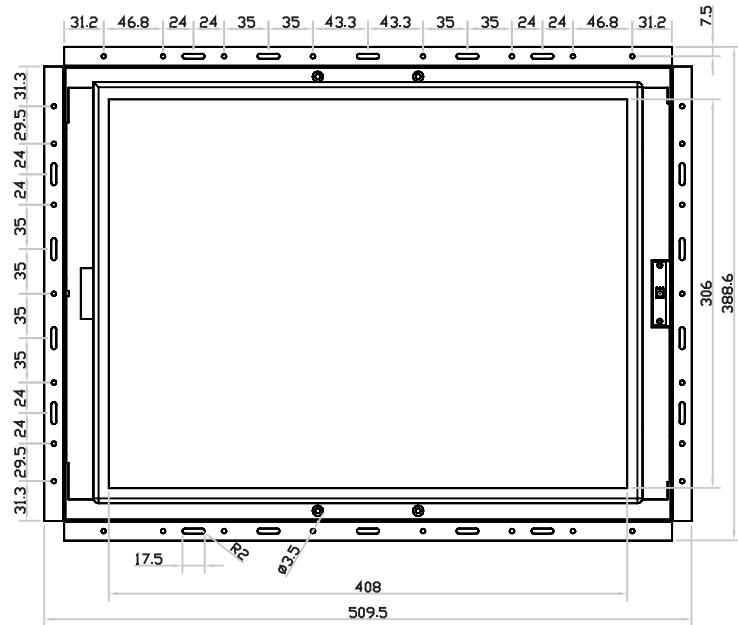
Universal open frame

Model : OP-20 / HOP-20

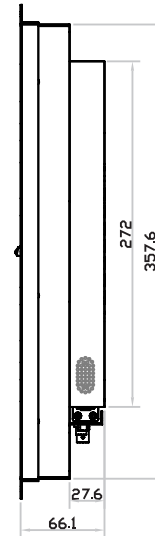
# UltraView

unit : mm

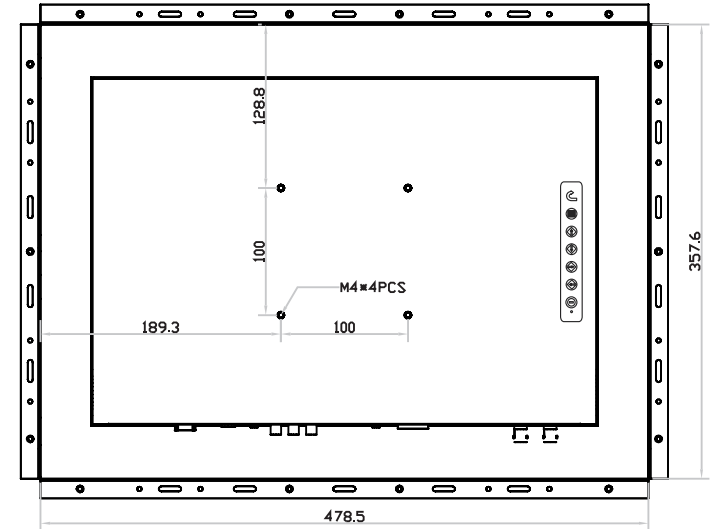
### Front View



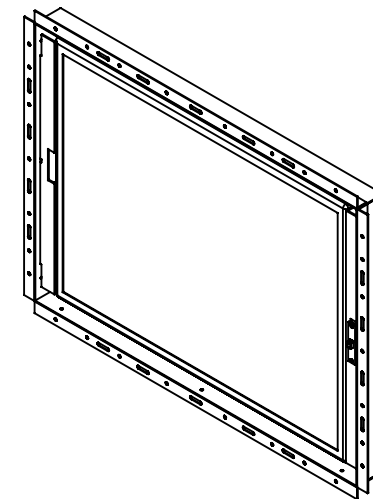
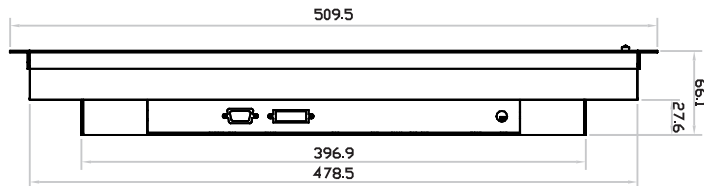
### Left-side View



### Rear View



### Bottom View



# 20" professional display chassis drawing

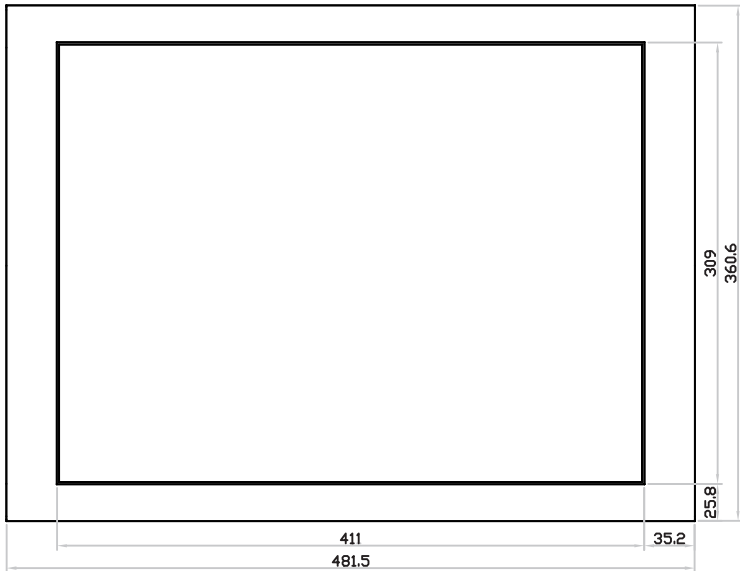
## Aluminum front cover

### Model : DP-20 / HDP-20

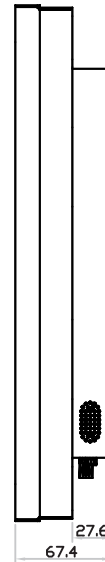


unit : mm

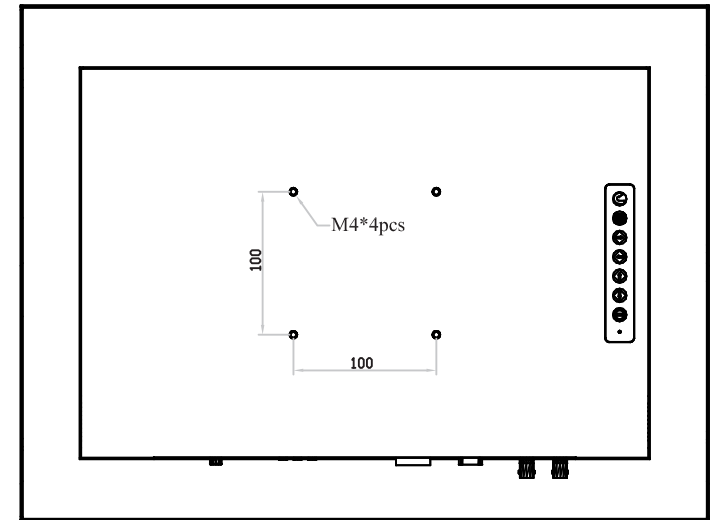
### Front View



### Left-side View



### Rear View



### Bottom View

