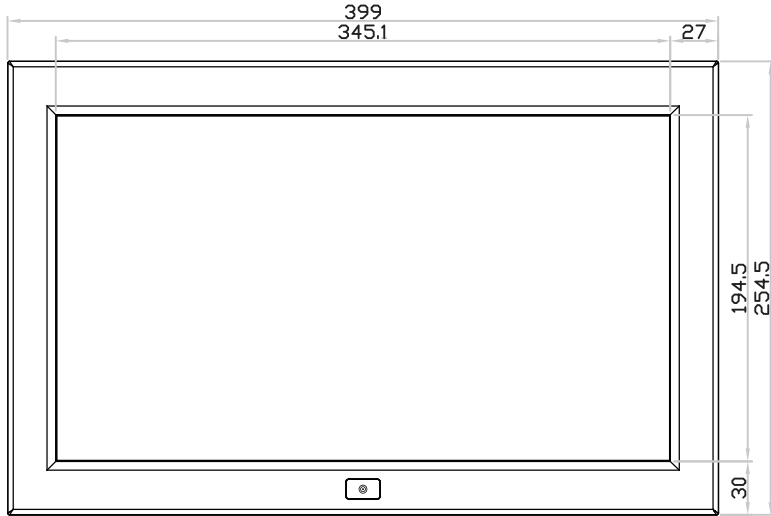


# FHD 15" professional display chassis drawing

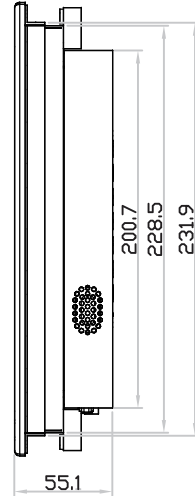
## 6mm aluminum front bezel

### Model : AP-F15 / HAP-F15

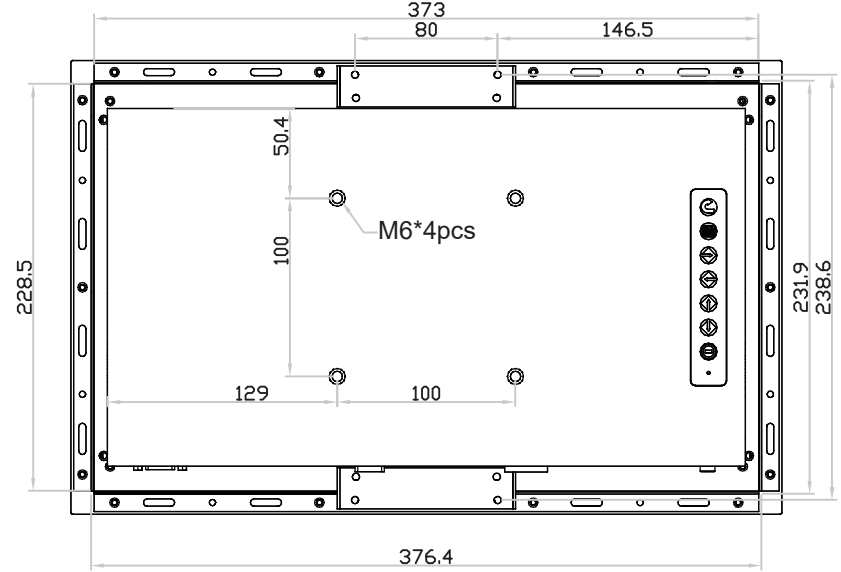
### Front View



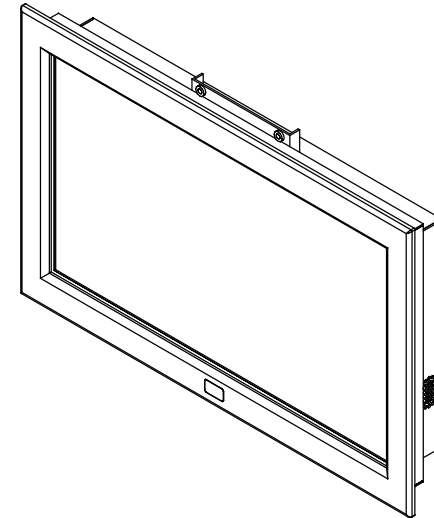
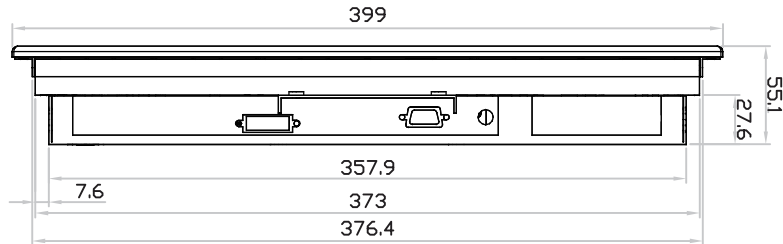
### Left-side View



### Rear View



### Bottom View



# FHD 15" professional display chassis drawing

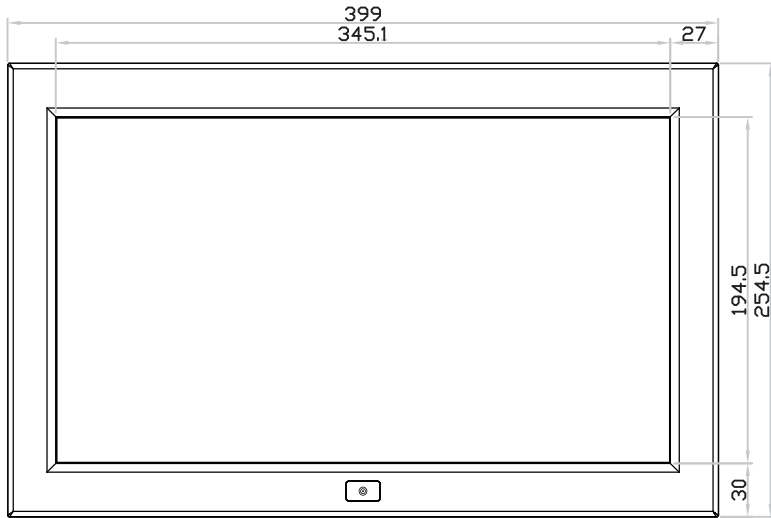
## 6mm aluminum front bezel with NEMA 4 / IP65 front protection

### Model : NAP-F15 / HNAP-F15

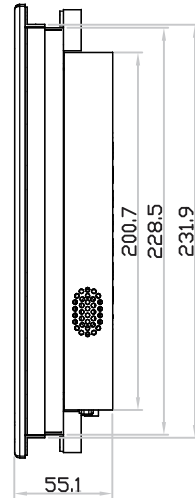


unit : mm

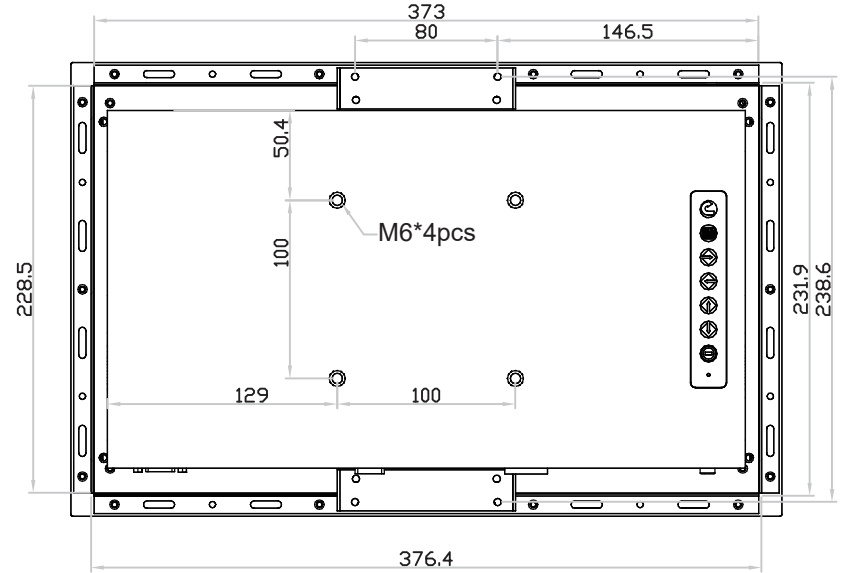
### Front View



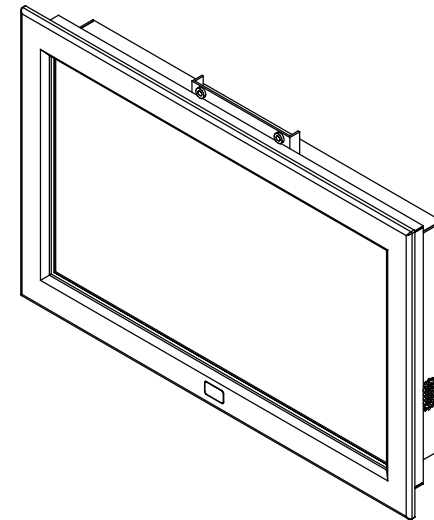
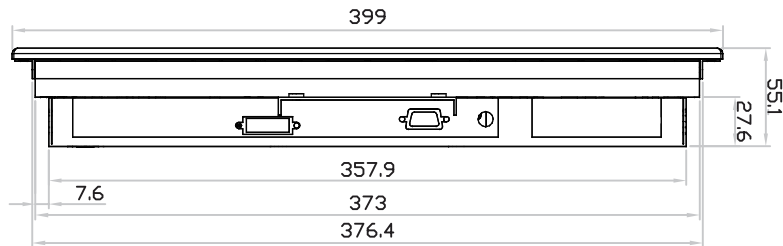
### Left-side View



### Rear View



### Bottom View



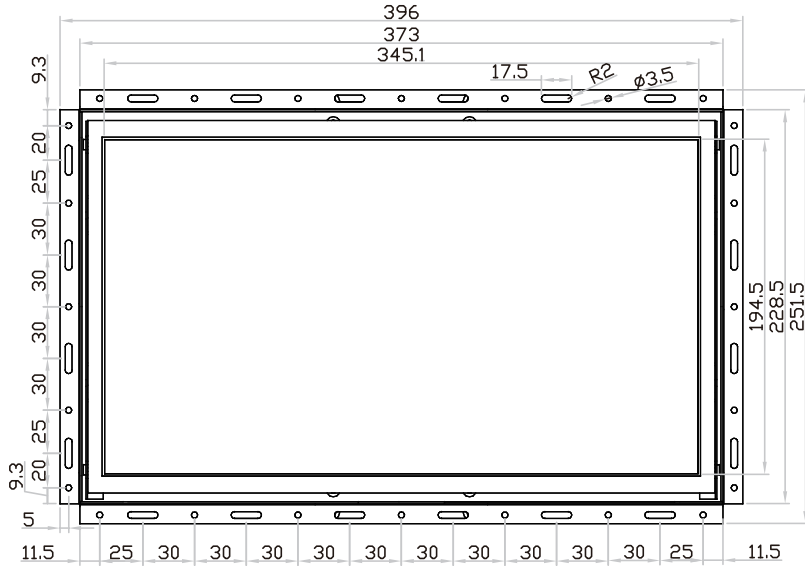
# FHD 15" professional display chassis drawing

Universal open frame  
Model : OP-F15 / HOP-F15

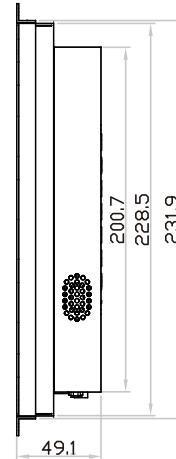


unit : mm

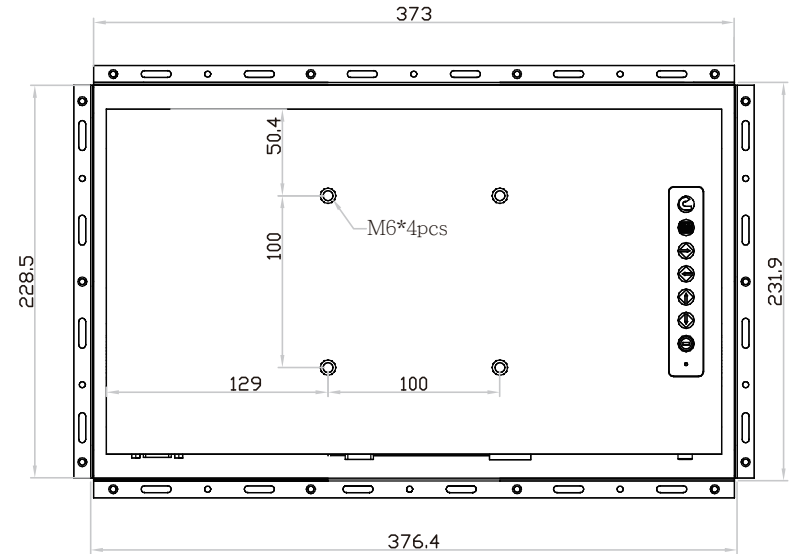
### Front View



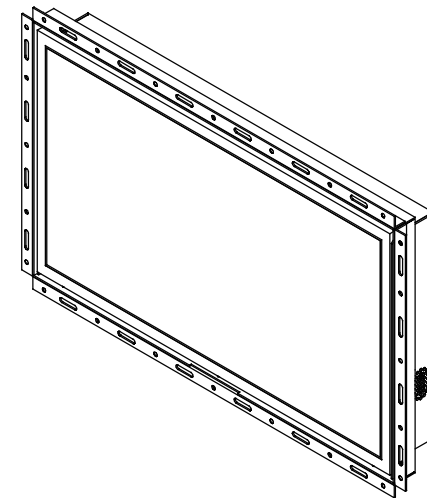
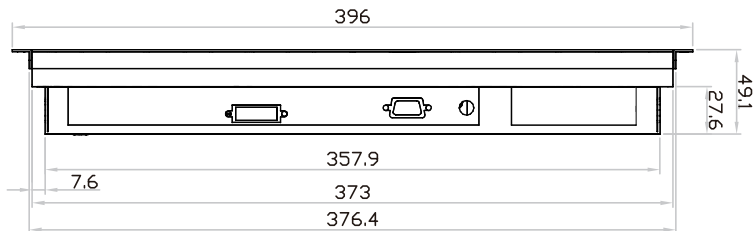
### Left-side View



### Rear View



### Bottom View



# FHD 15" professional display chassis drawing

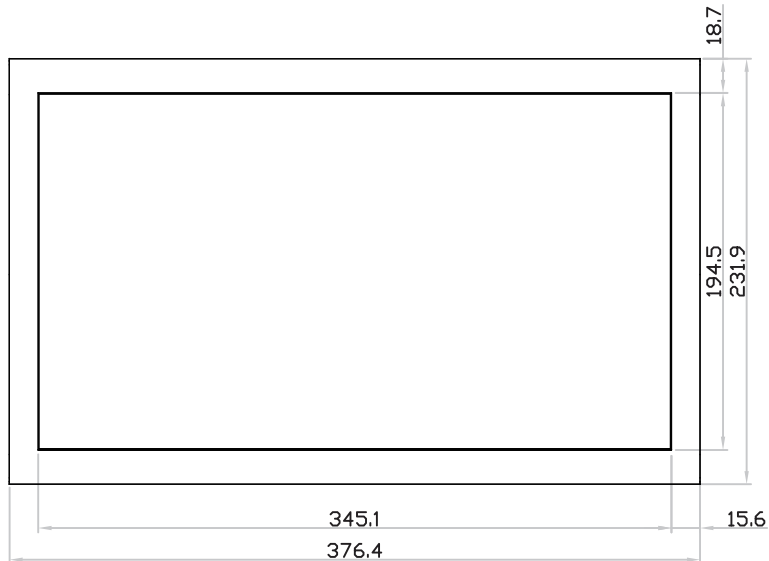
## Aluminum front cover

### Model : DP-F15 / HDP-F15

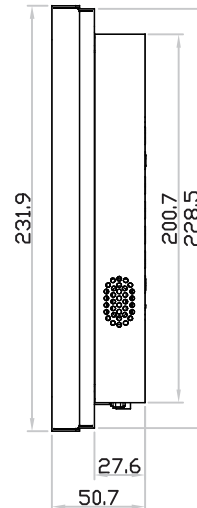


unit : mm

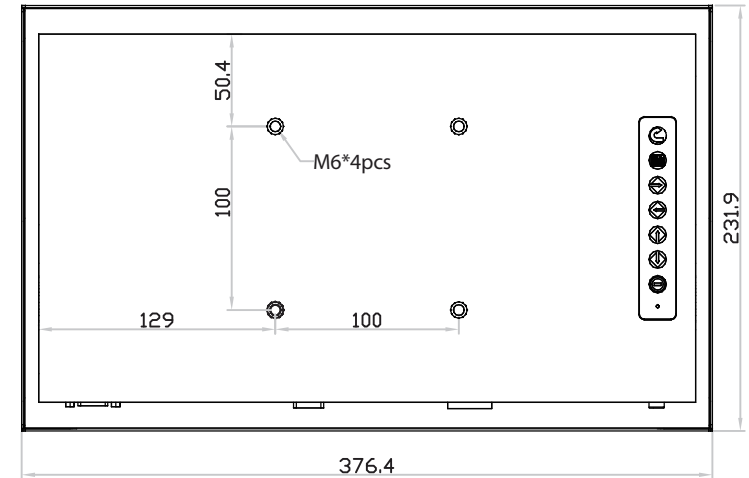
### Front View



### Left-side View



### Rear View



### Bottom View

