

FHD 32" professional display chassis drawing

8mm aluminum front bezel

Model : AP-F32 / HAP-F32

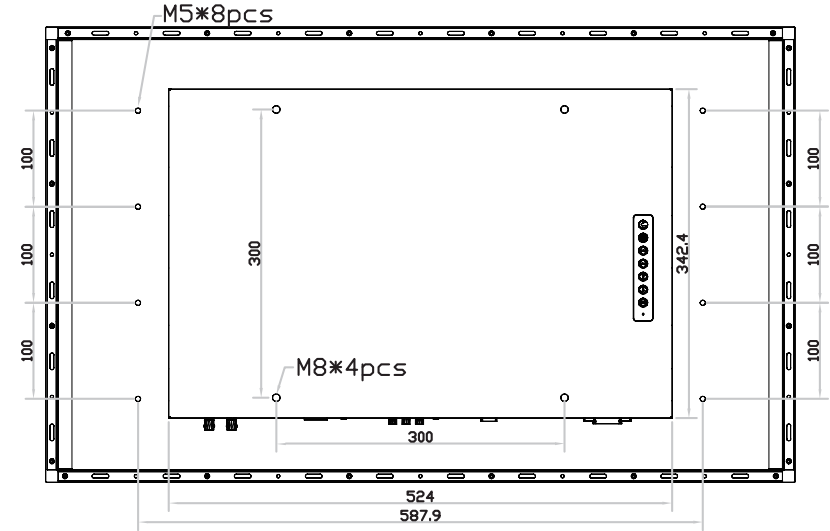
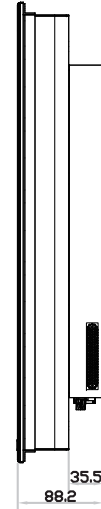
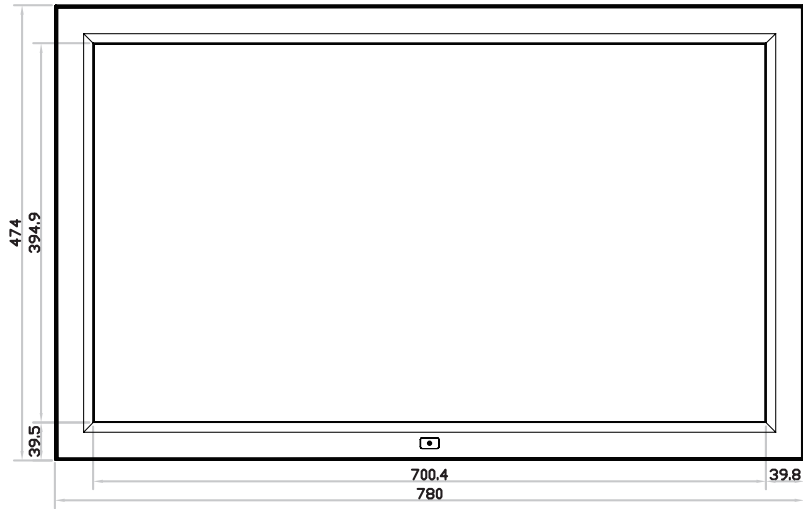


unit : mm

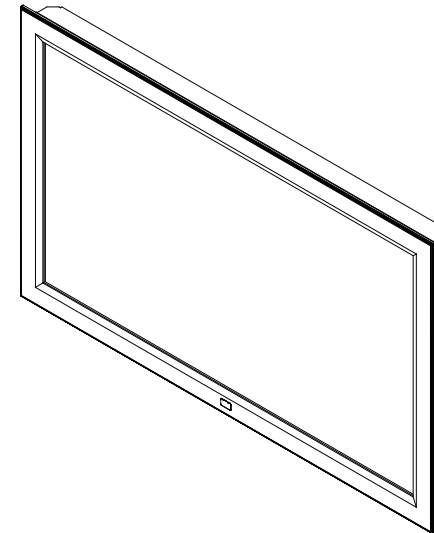
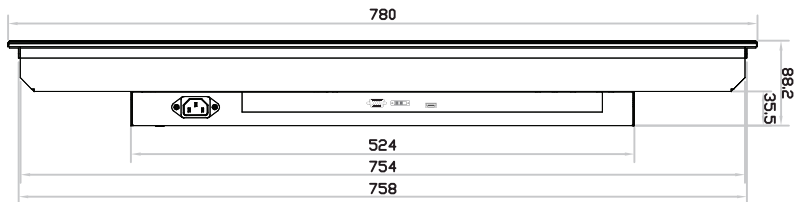
Front View

Left-side View

Rear View



Bottom View



FHD 32" professional display chassis drawing

8mm aluminum front bezel with NEMA 4 / IP65 front protection

Model : NAP-F32 / HNAP-F32

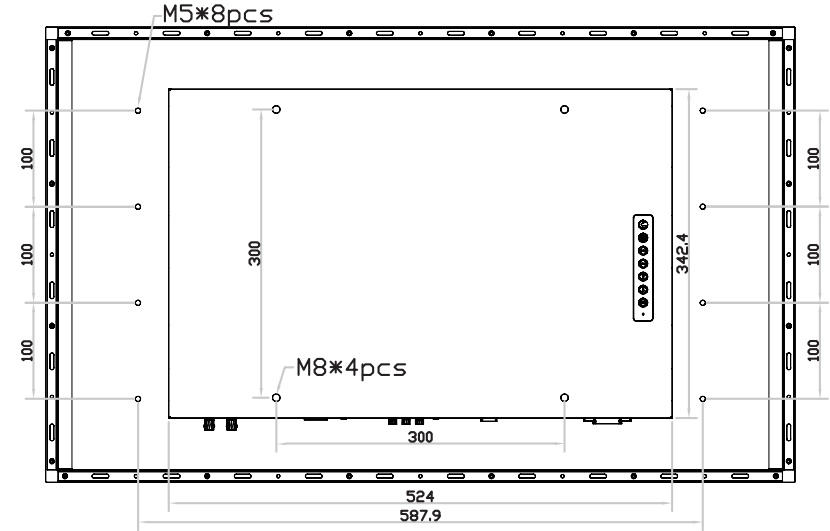
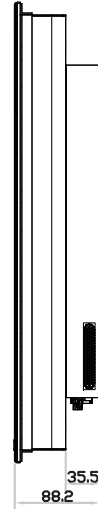
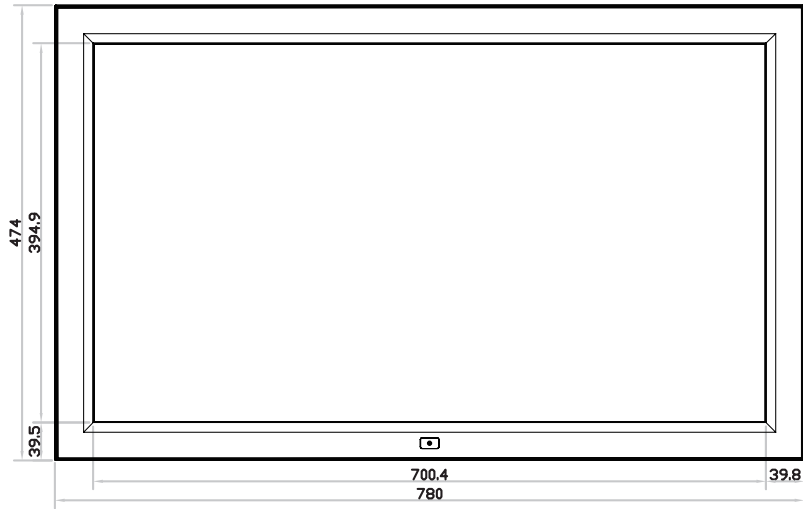


unit : mm

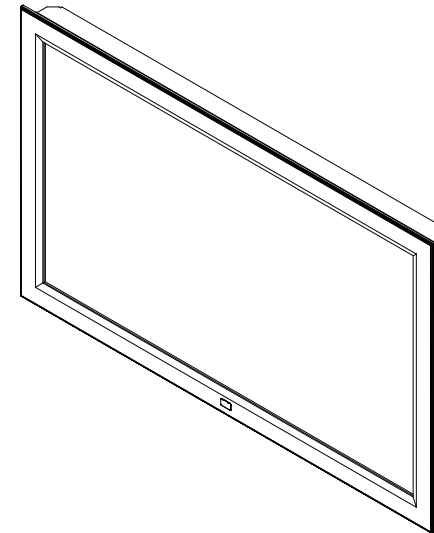
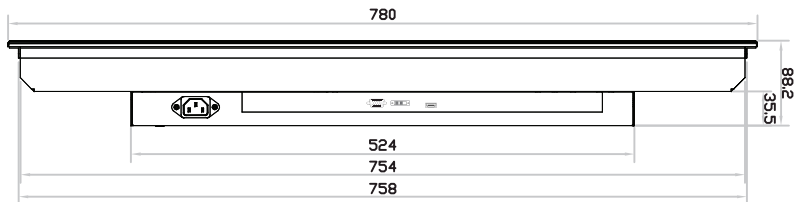
Front View

Left-side View

Rear View



Bottom View



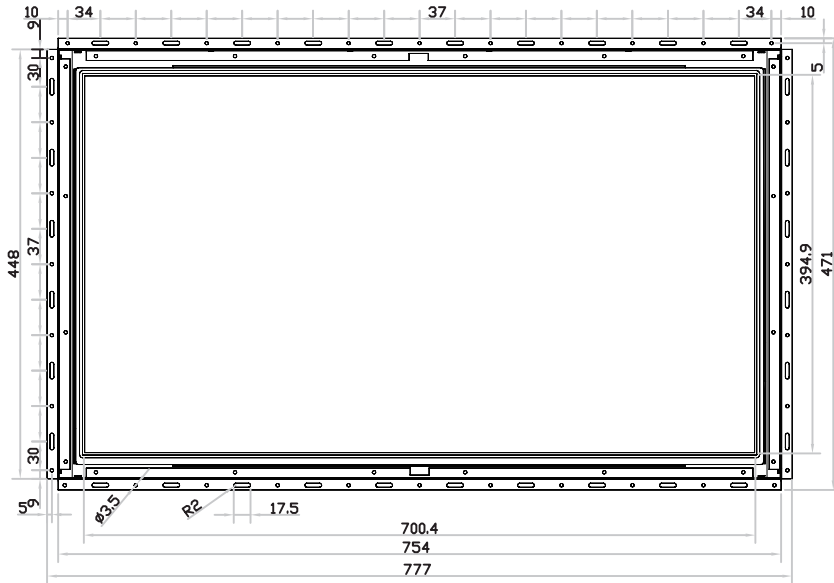
FHD 32" professional display chassis drawing

Universal open frame
Model : OP-F32 / HOP-F32

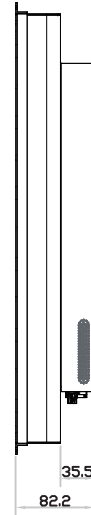


unit : mm

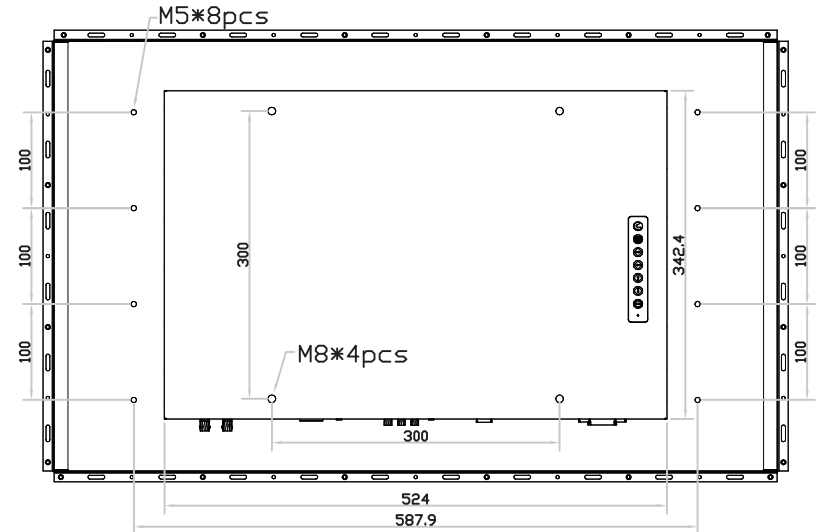
Front View



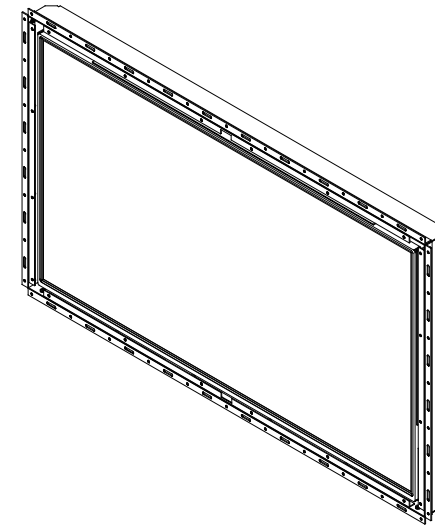
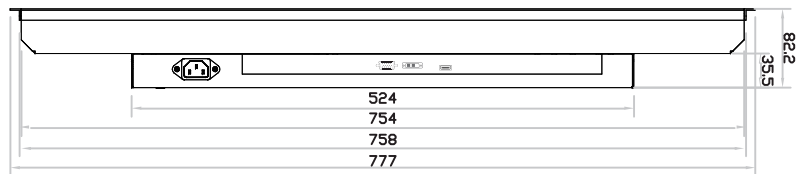
Left-side View



Rear View



Bottom View



FHD 32" professional display chassis drawing

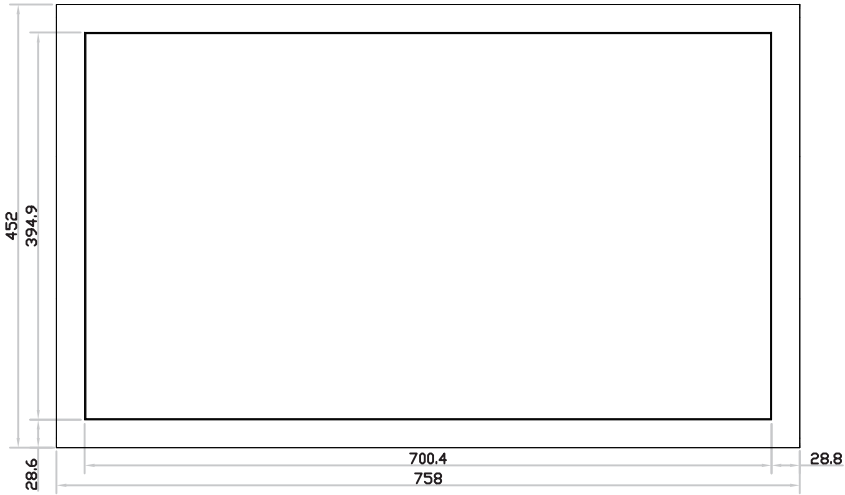
Aluminum front cover

Model : DP-F32 / HDP-F32

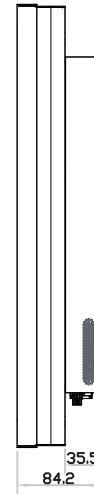


unit : mm

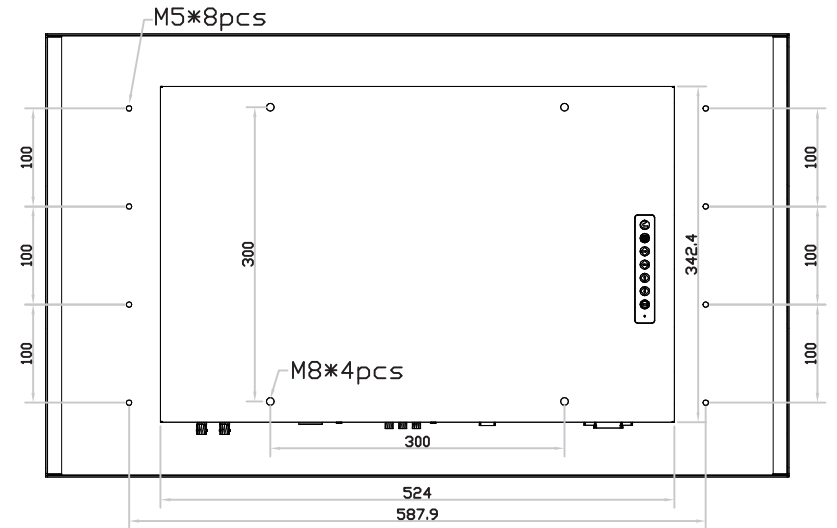
Front View



Left-side View



Rear View



Bottom View

