

# 4K 13" professional display chassis drawing

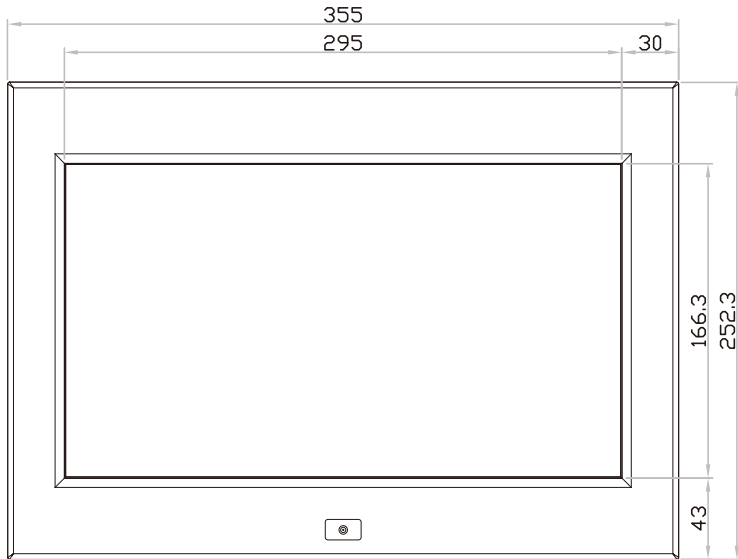
6mm aluminum front bezel

Model : AP-K13 / HAP-K13

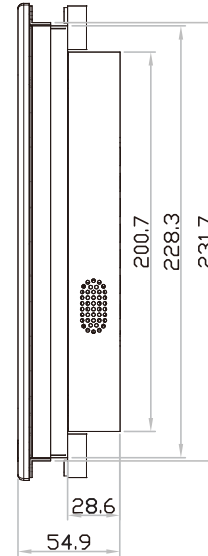


unit : mm

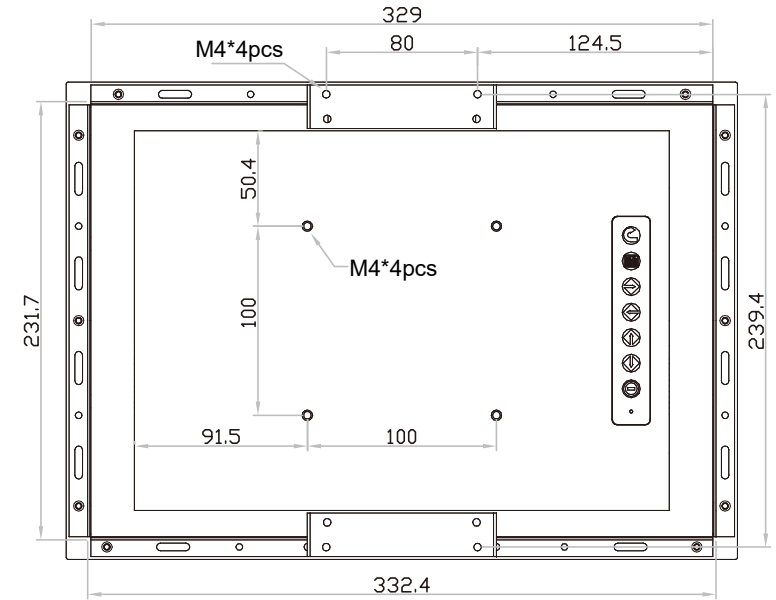
### Front View



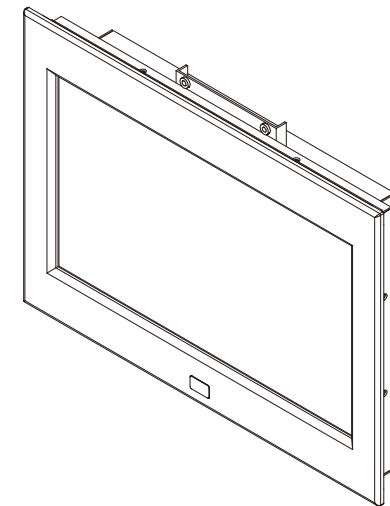
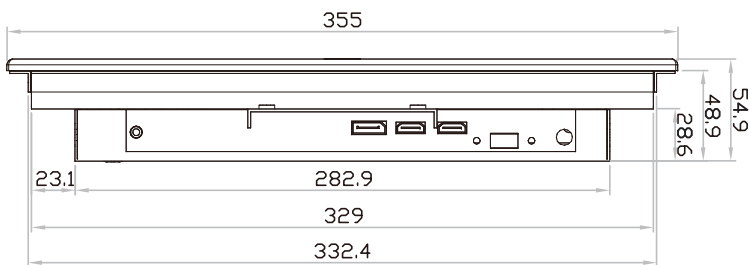
### Left-side View



### Rear View



### Bottom View



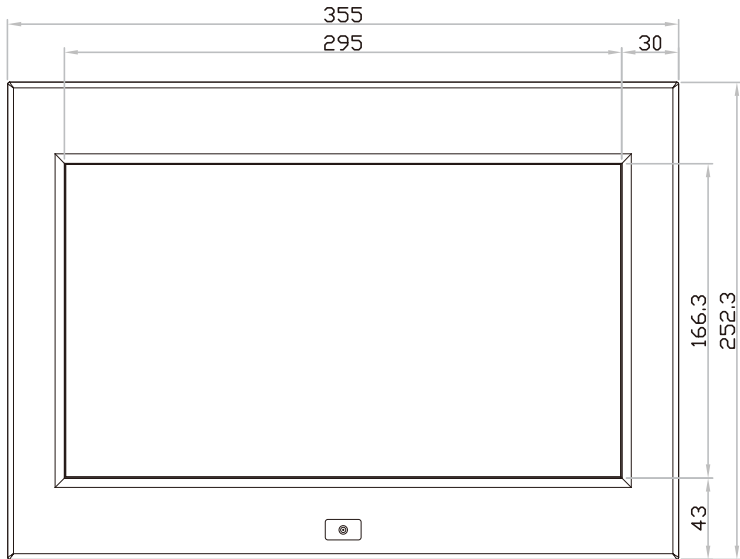
# 4K 13" professional display chassis drawing

## 6mm aluminum front bezel with NEMA 4 / IP65 front protection

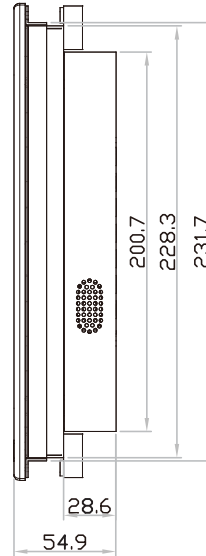
### Model : NAP-K13 / NHAP-K13

unit : mm

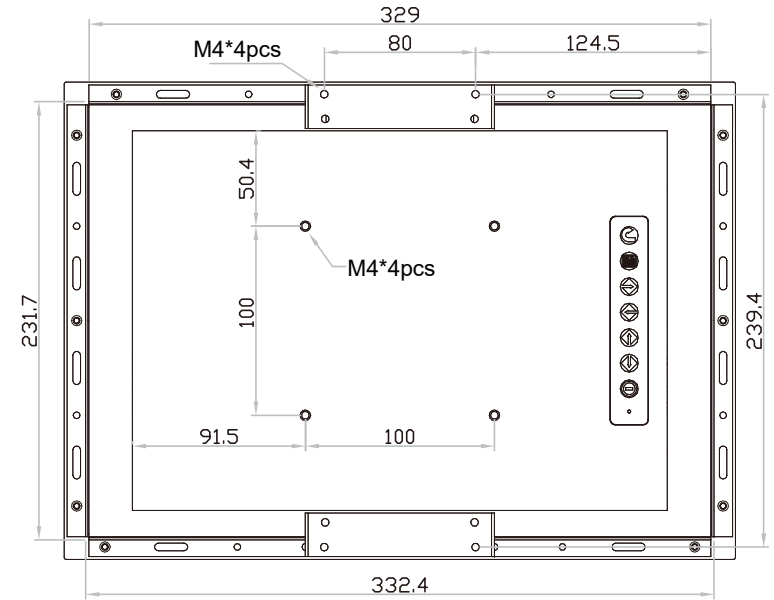
### Front View



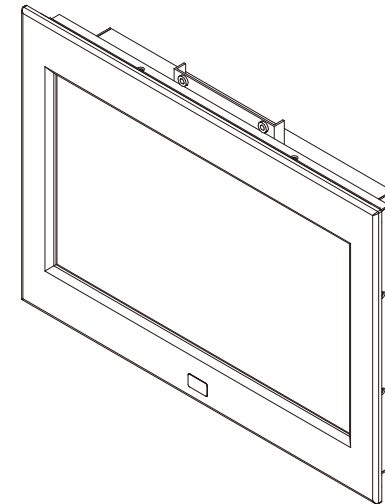
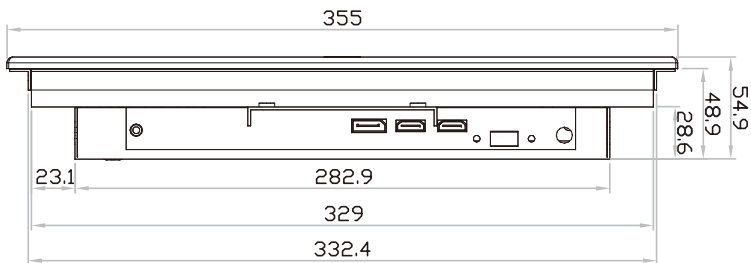
### Left-side View



### Rear View



### Bottom View



# 4K 13" professional display chassis drawing

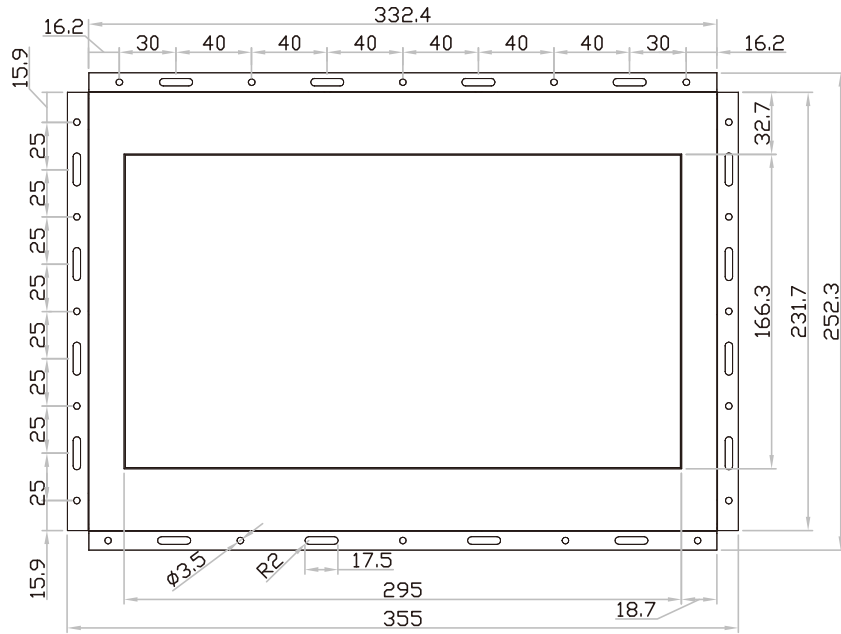
## Universal open frame

### Model : OP-K13 / HOP-K13

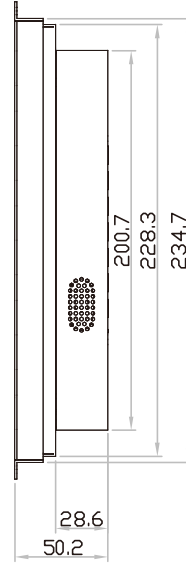


unit : mm

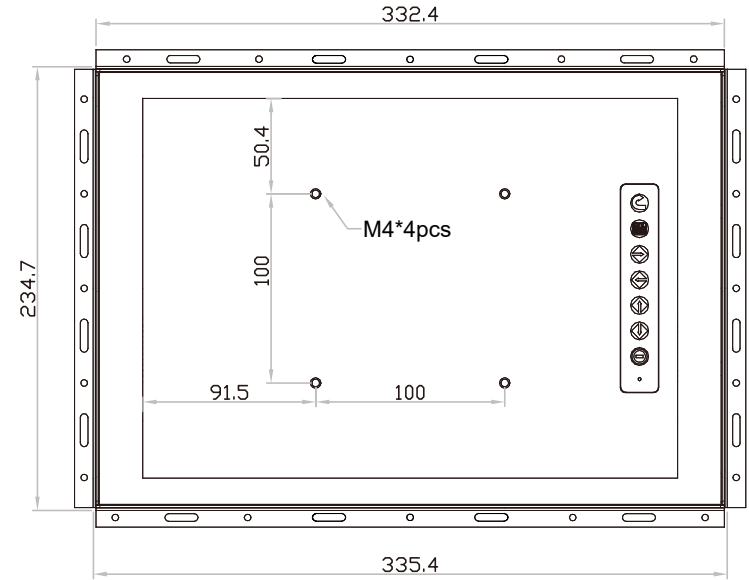
### Front View



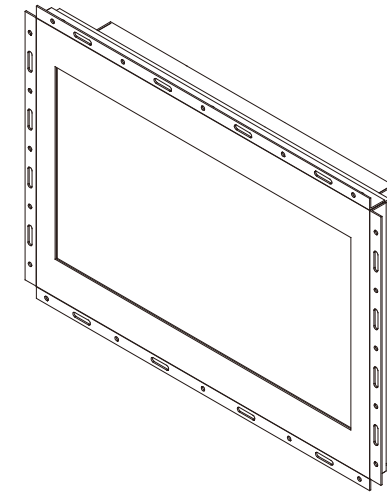
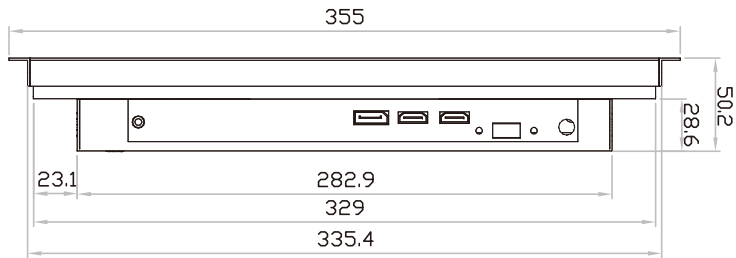
### Left-side View



### Rear View



### Bottom View



# 4K 13" professional display chassis drawing

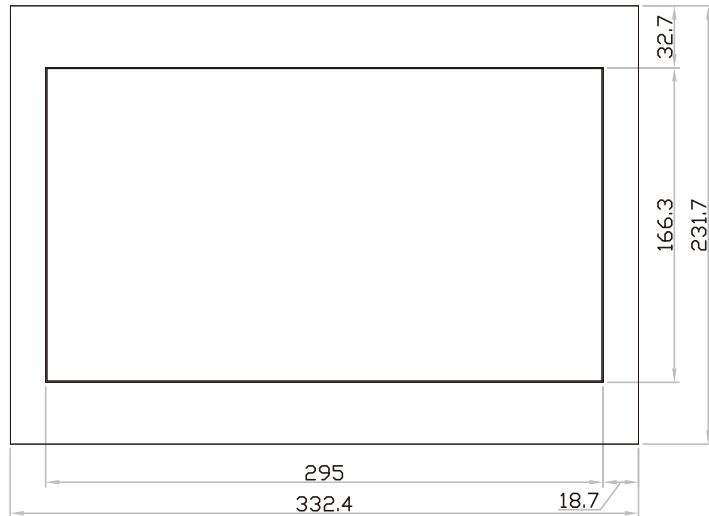
## Aluminum front cover

### Model : DP-K13 / HDP-K13

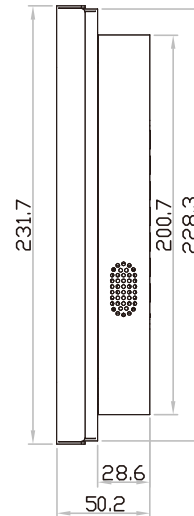


unit : mm

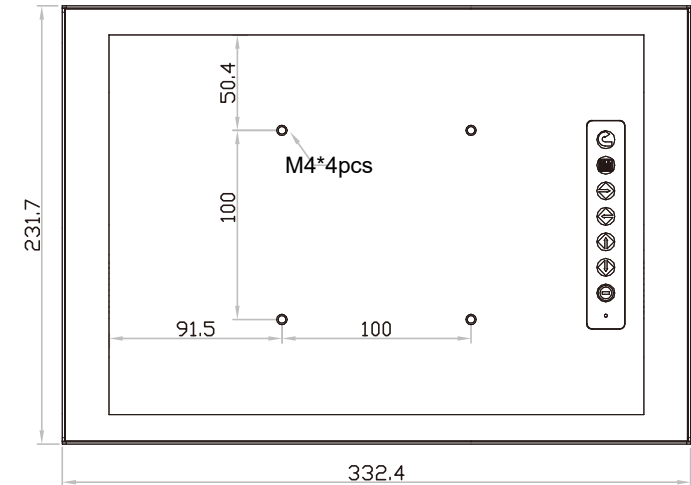
### Front View



### Left-side View



### Rear View



### Bottom View

