

CV-802 CV-1602

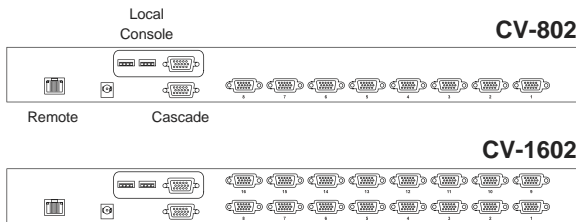


Combo DB-15 2-console KVM Benefits

- ▶ Combo DB-15 KVM with either 8 or 16 ports in 1U
- ▶ Remote access up to 150 meters
- ▶ Cascade switches up to 8 levels & Mix switches between Cat6 & Combo DB-15 KVM
- ▶ Support resolution up to 1920 x 1080
- ▶ SUN 1152 x 900 resolution compatible
- ▶ Mix PS/2, USB & SUN with Multi-Platform switch capability
- ▶ Cost efficient remote server management between user & equipment rooms within the building

Switch Features & Options

- Multi lingual on screen display menu
- Advanced user profiles and configurable OSD hot key combinations
- DC power options : 12V / 24V / 48V / 110 ~ 125V



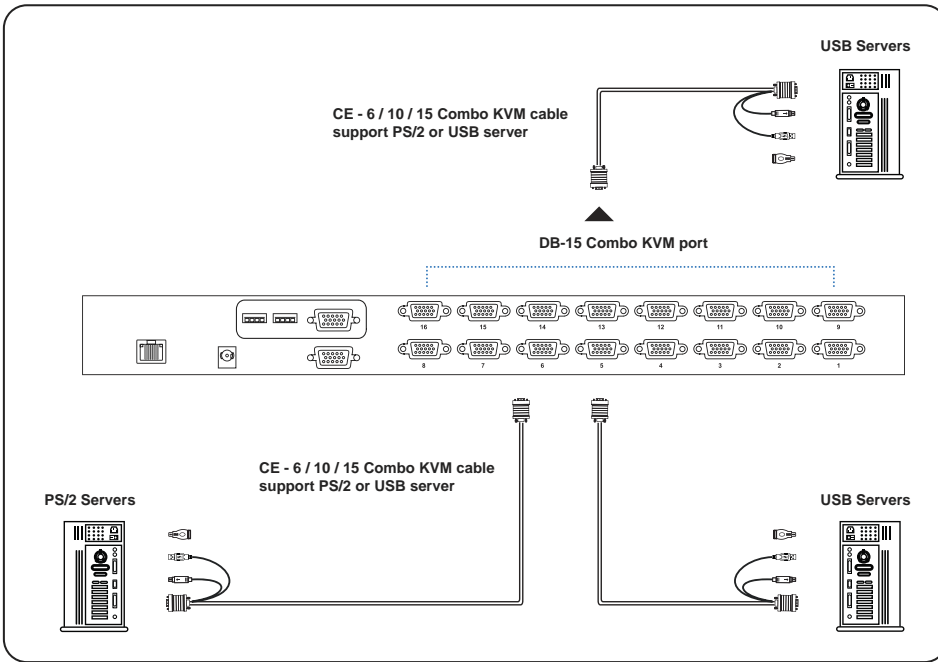
Ordering Information

Console	Local	Remote	IP	8-port	16-port
	1	1	0	CV-802	CV-1602

KVM Specification

<p>■ KVM Port</p> <p>Number of ports: 8 or 16</p> <p>Connector: DB-15 combo connector</p> <p>Connectivity: Combo 4-in-1 KVM cable, up to 6, 10 & 15 feet</p>	<p>■ Regulatory</p> <p>Safety: cUL, FCC & CE certified</p> <p>Environment: RoHS2 & REACH compliant</p>
<p>■ Local Console</p> <p>Graphic Connector: 1 x DB-15 VGA</p> <p>Resolution: Up to 1920 x 1080 / 1920 x 1200</p> <p>Input device: 2 x USB type A for keyboard & mouse</p>	<p>■ Environmental</p> <p>Operating temperature : 0 to 55°C degree</p> <p>Storage temperature : -20 to 60°C degree</p> <p>Operating humidity : 20~90%, non-condensing</p> <p>Storage humidity : 5 ~90%, non-condensing</p> <p>Operating altitude : 16,000 ft</p> <p>Non-operating altitude : 40,000 ft</p> <p>Shock : 10G acceleration (11ms duration)</p> <p>Vibration : 5~500Hz 1G RMS random vibration</p>
<p>■ Remote Console</p> <p>Connector: 1 x DB 15-pin, VGA</p> <p>Resolution: Up to 1600 x 1200</p> <p>Input device: 2 x USB type A for keyboard & mouse</p> <p>Remote I/O: RJ45 via Cat5 / Cat5e / Cat6 cable up to 150m</p> <p>Compensation: Auto adjust for cable length</p>	<p>■ Product Information</p> <p>Dimension (W x D x H) : 443 x 171 x 44 mm / 17.4 x 6.7 x 1.73 inch</p> <p>Net weight : 2.3 kg / 5.1 lb (CV-802) 2.5 kg / 5.5 lb (CV-1602)</p>
<p>■ Expansion: Up to 128 servers by 8-level cascade</p>	<p>■ Packing Information</p> <p>Dimension (W x D x H) : 500 x 400 x 90 mm / 19.7 x 15.7 x 3.5 inch</p> <p>Gross weight : 3.8 kg / 8.4 lb (CV-802) 4.1 kg / 9 lb (CV-1602)</p>
<p>■ Compatibility</p> <p>Hardware : HP / IBM / Dell PC, Server and Blade Server SUN / Mac</p> <p>OS Support : Windows / Linux / Unix / Mac OS</p>	
<p>■ Power</p> <p>Input: Auto sensing 100 to 240VAC, 50 / 60 Hz</p> <p>Option DC: 12V / 24V / 48V / 110 ~ 125V DC input</p> <p>Consumption: Max. 13W</p>	

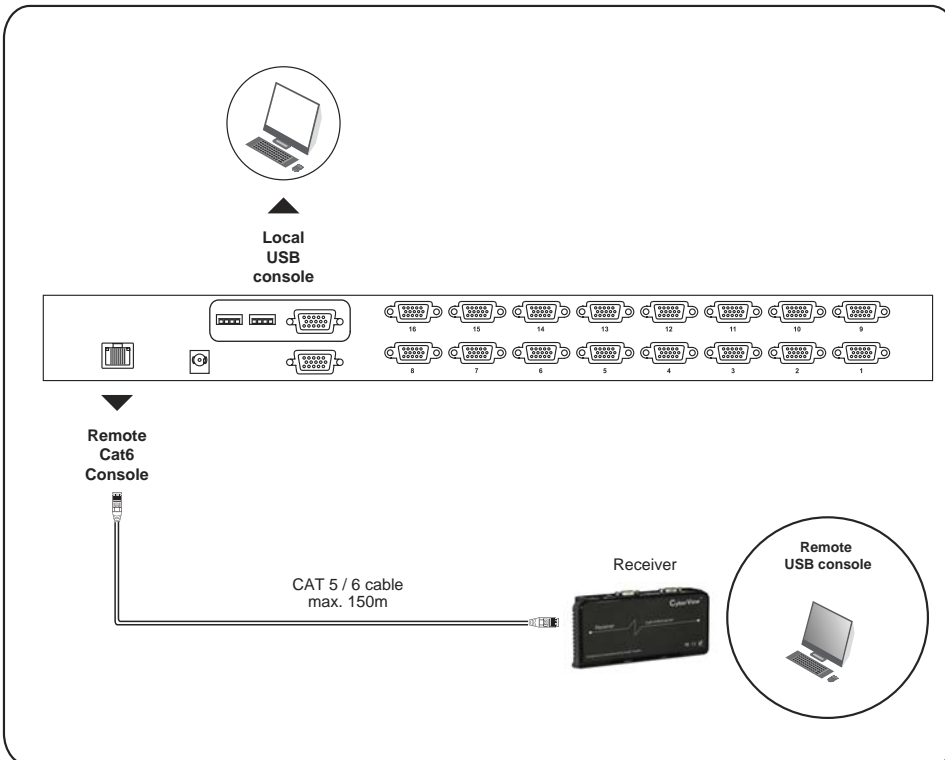
KVM port connection



CE-6 / CE-10 / CE-15

- 6 / 10 / 15 ft Combo KVM cable
- Support PS/2 or USB server

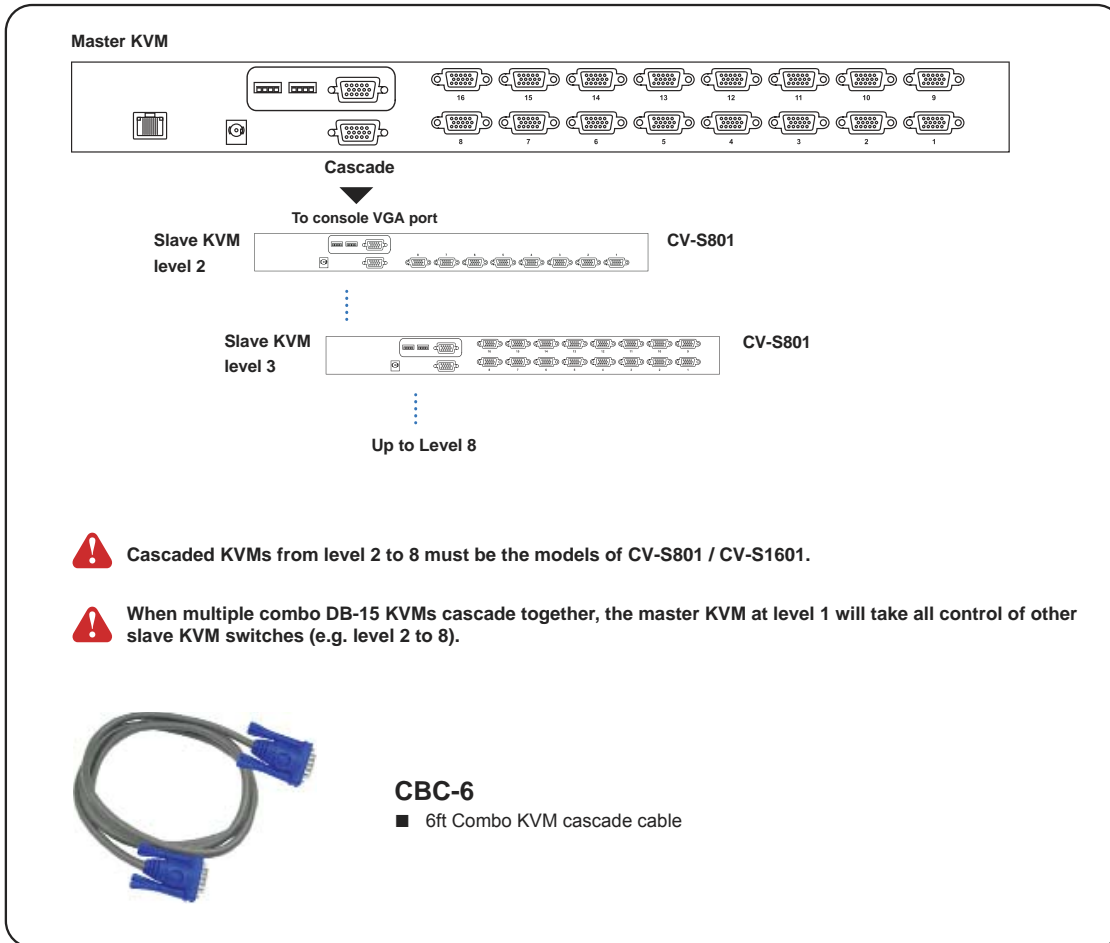
Remote & Local console connection



Remote Console Resolution Support	Frequency (Hz)
1600 x 1200	60
1440 x 900	60
1280 x 1024	60
1280 x 960	60
1152 x 864	75
1024 x 768	60 / 70 / 75

KVM Cascade

- Cascade up to 8 levels, 128 servers
- Cascading multiple KVM with CBC-6 cascade cable.



! Cascaded KVMs from level 2 to 8 must be the models of CV-S801 / CV-S1601.

! When multiple combo DB-15 KVMs cascade together, the master KVM at level 1 will take all control of other slave KVM switches (e.g. level 2 to 8).



CBC-6

- 6ft Combo KVM cascade cable

! For detailed product specifications and options, please download the user manual from the link below : www.austin-hughes.com/support/usermanual/cyberview/UM-CV-SKVM.pdf