

IP-802 IP-1602

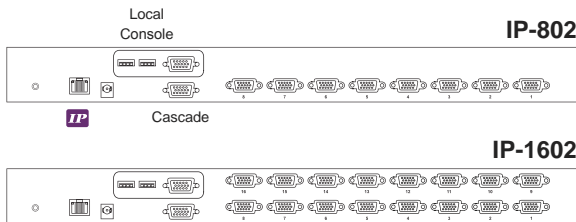


Combo DB-15 IP KVM Benefits

- ▶ Combo DB-15 KVM with either 8 or 16 ports in 1U
- ▶ IP remote access across the world wide web
- ▶ Cascade switches up to 8 levels & Mix switches between Cat6 & Combo DB-15 KVM
- ▶ Support resolution up to 1920 x 1080
- ▶ SUN 1152 x 900 resolution compatible
- ▶ Mix PS/2, USB & SUN with Multi-Platform switch capability
- ▶ Cost efficient remote server management between national / global sites

Switch Features & Options

- Mix legacy PS/2 servers with newer USB and SUN solutions
- Greater distances between your switch and servers allow enhanced data center rack layouts
- Multi lingual on screen display menu
- Advanced user profiles and configurable OSD hot key combinations
- DC power options : 12V / 24V / 48V / 110 ~ 125V



Ordering Information

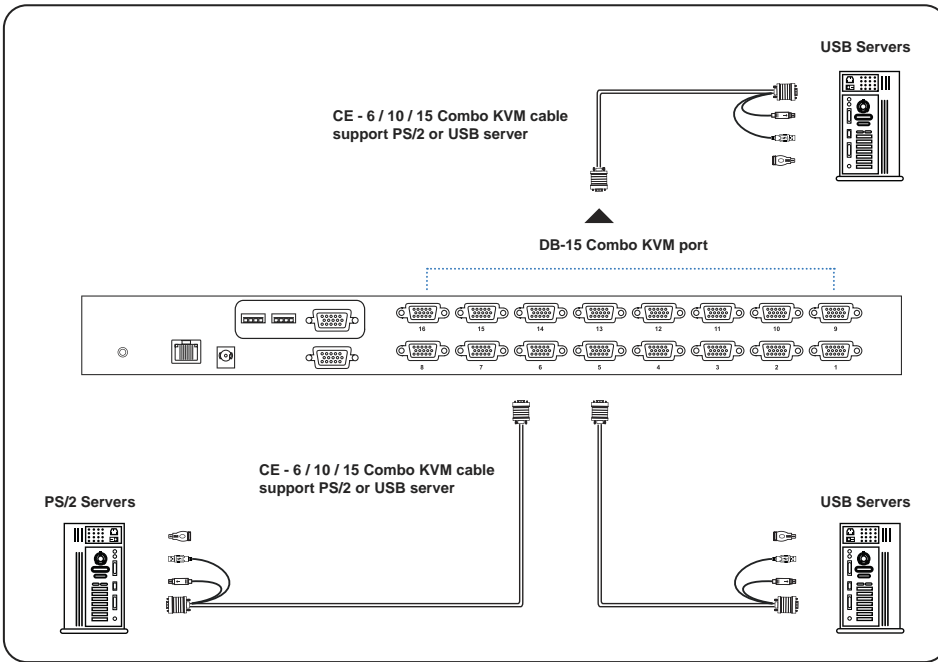
Console	Local	Remote	IP	8-port	16-port
	1	0	1	IP-802	IP-1602

KVM Specification

■ KVM Port Number of ports: 8 or 16 Connector: DB-15 combo connector Connectivity: Combo 4-in-1 KVM cable, up to 6, 10 & 15 feet	
■ Local Console Graphic Connector: 1 x DB-15 VGA Resolution: Up to 1920 x 1080 / 1920 x 1200 Input device: 2 x USB type A for keyboard & mouse	
■ IP Remote Console Connector: RJ45 Ethernet User management: 15-user login, 1 x active user Network protocol: DHCP / BOOTP / DNS Security: SSL v3, RSA, AES, HTTP / HTTPS, CSR Resolution: Up to 1600 x 1200 Browser: IE, Firefox, Safari, Netscape	
■ Expansion: Up to 128 servers by 8-level cascade	
■ Compatibility Hardware : HP / IBM / Dell PC, Server and Blade Server SUN / Mac OS Support : Windows / Linux / Unix / Mac OS	
■ Power Input: Auto sensing 100 to 240VAC, 50 / 60 Hz Option DC: 12V / 24V / 48V / 110 ~ 125V DC input Consumption: Max. 19W	

■ Regulatory Safety: cUL, FCC & CE certified Environment: RoHS2 & REACH compliant	
■ Environmental Operating temperature : 0 to 55°C degree Storage temperature : -20 to 60°C degree Operating humidity : 20~90%, non-condensing Storage humidity : 5 ~90%, non-condensing Operating altitude : 16,000 ft Non-operating altitude : 40,000 ft Shock : 10G acceleration (11ms duration) Vibration : 5~500Hz 1G RMS random vibration	
■ Product Information Dimension (W x D x H) : 443 x 171 x 44 mm / 17.4 x 6.7 x 1.73 inch Net weight : 2.3 kg / 5.1 lb (IP-802) 2.5 kg / 5.5 lb (IP-1602)	
■ Packing Information Dimension (W x D x H) : 500 x 400 x 90 mm / 19.7 x 15.7 x 3.5 inch Gross weight : 3.8 kg / 8.4 lb (IP-802) 4.1 kg / 9 lb (IP-1602)	

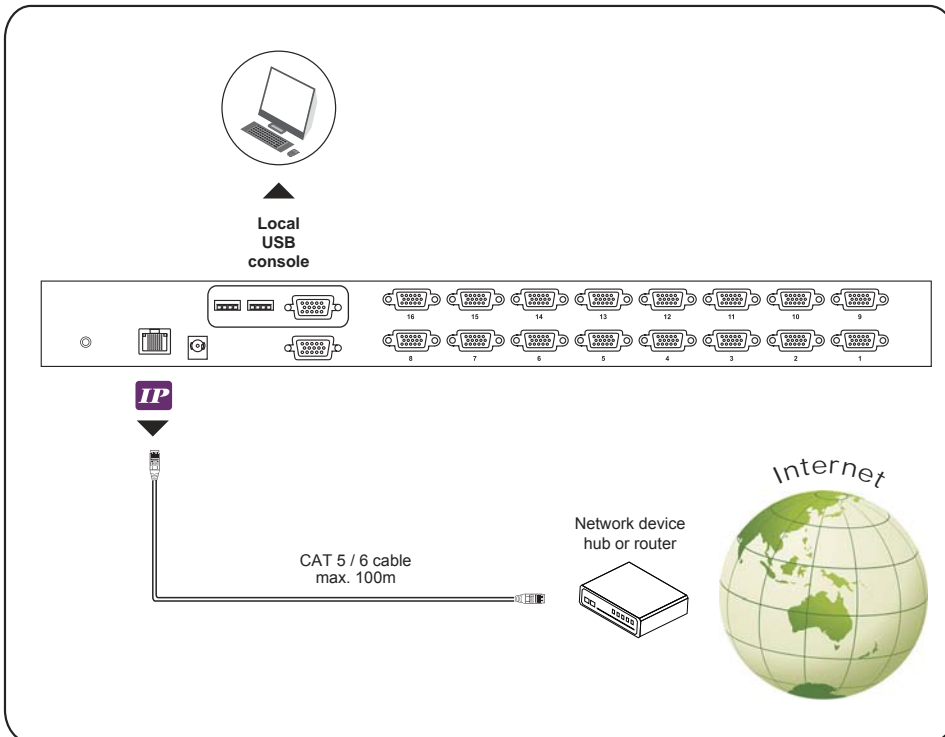
KVM port connection



CE-6 / CE-10 / CE-15

- 6 / 10 / 15 ft Combo KVM cable
- Support PS/2 or USB server

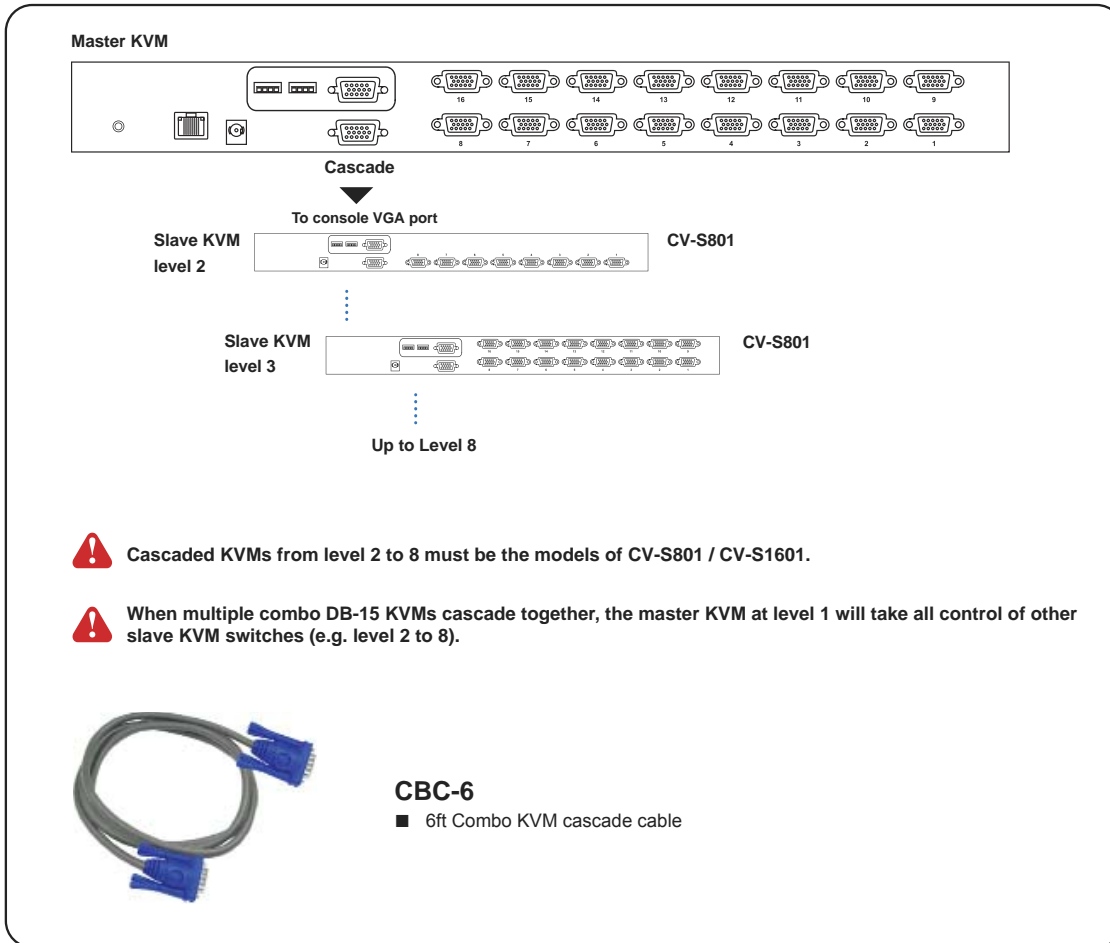
IP & Local console connection



IP Console Resolution Support	Frequency (Hz)
1600 x 1200	60
1280 x 1024	60
1280 x 960	60
1152 x 864	75
1024 x 768	60 / 70 / 75

KVM Cascade

- Cascade up to 8 levels, 128 servers
- Cascading multiple KVM with CBC-6 cascade cable.



⚠️ For detailed product specifications and options, please download the user manual from the link below :
www.austin-hughes.com/support/usermanual/cyberview/UM-CV-SKVM.pdf