



Key Benefits

- ▶ 2U 22" short depth design
- ▶ Light weight
- ▶ Rugged construction for mobility & durability
- ▶ Built-in solid bearing slide rails
- ▶ Built-in dual stereo speaker (per display)
- ▶ Four LED backlit display selections (4K, WUXGA, FHD, 4:3)
- ▶ DVI-D + VGA video input for WUXGA, FHD & 4:3 (per display)
- ▶ Display port 1.2 video input for 4K (per display)
- ▶ Fits 24" ~ 36" rack via adjustable mounting brackets
- ▶ 2-year standard warranty (upgradable up to 5 years)

Options

- DC power : 12V / 24V / 48V / 125V / 250V
- 3G / HD / SD-SDI Broadcast-grade input
- Sunlight readable LCD for 17" FHD & 19" 4:3
- Touchscreen
- HDMI video input

The MRP 2U dual or triple display drawer is designed for Command and Control Systems which demand quick deployment for multi-faceted displays.

2U 22" depth platform allows for small size and transit case portability. To ensure chassis ruggedness, mobility and quality, as well as being suitable for harsh environment applications, the MRP drawer is meticulously constructed by a team of experts in our own CNC facilities for such applications.

The key benefit of the MRP series is the choice of different resolution panels available, including 4K 17", WUXGA 16.2", FHD 17" 60Hz, 19" 4:3 LED backlit displays. Sunlight Readable FHD 17" LCD is also available. 4K 17" displays satisfy the increasing demand for superior graphics and image clarity.

Models			
	LH mounted		RH mounted
17" 4K	MRP-K17-2L	MRP-K17-3	MRP-K17-2R
17" 1080p	MRP-F17-2L	MRP-F17-3	MRP-F17-2R
16.2" 1920 1200	MRP-X17-2L	MRP-X17-3	MRP-X17-2R
19" 1280 1024	MRP-19-2L	MRP-19-3	MRP-19-2R

Product Specifications

LCD Panel	MRP-K17	MRP-F17	MRP-X17	MRP-19
Native resolution	3840 x 2160@60Hz	1920 x 1080	1920 x 1200	1280 x 1024
Panel size (diagonal)	17.3"	17.3"	16.2"	19"
Refresh rate (Hz)	60	60	60	60 / 75
Standard Brightness (cd/m ²)	400	300	300	250
High Brightness (cd/m ²) - Option	/	1000	/	1000
Contrast ratio (typ.)	1000 : 1	1000 : 1	800 : 1	1000 : 1
Colors	16.7 M, 8-bit	16.7 M, 8-bit	16.7 M, 8-bit	16.7 M
Viewing angle (L/R/U/D)	89/89/89/89	85/85/85/85	89/89/89/89	85/85/80/80
Response time (ms)	Max. 16	25	30	5
Dot pitch (mm)	0.0995	0.1989	0.191	0.294
Display area (mm)	382.12H x 214.94V	381.888H x 214.812V	383.8H x 214.9V	337.92H x 270.33V
Surface treatment	Anti-glare	Anti-glare, Hard-coating	Anti-glare, Hard-coating	Haze 25%, Hard-coating
Surface hardness	3H			
Backlight type	LED			
MTBF (hrs)	15,000	15,000	20,000	30,000

Video	MRP-K17	MRP-F17	MRP-X17	MRP-19
Package	DP 1.2 / HDCP 1.3 <i>* attached 6ft DP cable</i>	DVI-D + VGA	DVI-D + VGA	DVI-D + VGA
Option	HDMI 2.0 / HDCP 2.2	HDMI 1.4 / HDCP 1.4 or DP 1.0 / HDCP 1.3	HDMI 1.4 / HDCP 1.4	HDMI 1.2 / HDCP 1.1

Capacitive Touch screen Option

	MRP-K17	MRP-F17	MRP-X17	MRP-19
Technology	Projected Capacitive			Capacitive
Touch Point	10 point touch standard			Single
Input Type	Finger or Capacitive Stylus			Finger
Resolution	4096 x 4096			2048 x 2048
Touch Point Accuracy	± 2 mm			-
Response Speed	< 5 ms			20 ms
Activation Force	< 5 g			≤ 50 g
Surface Hardness	6H			9H
Light Transmission	> 85%			92% ± 2%
Haze	3%↓			7%
Durability	50 million touches			300 million touches
Top Layer	1.8 mm Glass			Glass
Bottom Layer	0.7 mm Sensor Glass			
Thickness	2.7 mm ± 0.1 mm			2.8 mm ± 10%
Connector	USB			USB Type A
Compatibility	Windows 7 / XP / Linux / Mac			

Resistive Touch screen Option

	MRP-K17	MRP-F17	MRP-X17	MRP-19
Technology	5-Wire Resistive			
Touch Point	Single			
Input Type	Finger or Stylus			
Resolution	2048 x 2048			
Response Speed	15 ms			
Activation Force	≤ 50 g			
Surface Hardness	3H			
Light Transmission	80% ± 3%			
Haze	8% ± 3%			
Durability	10 million touches			
Top Layer	ITO Film			
Bottom Layer	ITO Glass			
Thickness	3.2 ± 0.2 mm	2.2 ± 0.2 mm	3.2 ± 0.2 mm	2.2 ± 0.2 mm
Connector	USB Type A			
Compatibility	Windows 7 / XP / Linux / Mac			

Product Specifications

Power		MRP-K17	MRP-F17	MRP-X17	MRP-19
Input		Auto-sensing 100 to 240VAC, 50 / 60Hz			
Consumption per panel	Screen on	Max. 21W	Max. 14W	Max. 25W	Max. 22W
	Power saving	Max. 2W			
	Power button off	Max. 1W			

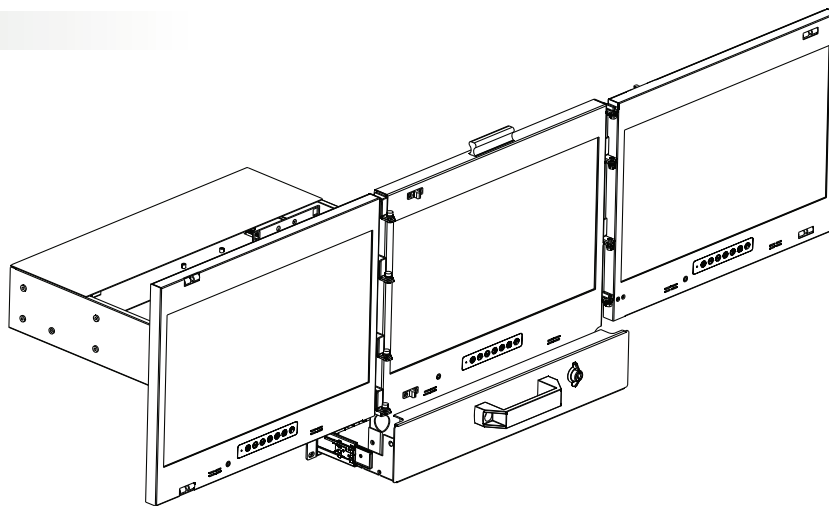
Physical			
Product (W x D x H)	MRP-K17 / MRP-X17 / MRP-F17	mm inch	441.6 x 550 x 88 17.4 x 21.7 x 3.5
	MRP-19	mm inch	441.6 x 600 x 88 22.8 x 23.6 x 7.8
Packing (W x D x H)	MRP-K17 / MRP-X17 / MRP-F17	mm inch	580 x 683 x 197 22.8 x 26.9 x 7.8
	MRP-19	mm inch	581 x 753 x 216 22.9 x 29.7 x 8.5
Net Weight	MRP-K17 / MRP-X17 / MRP-F17	Triple display Dual display	24.1 kg / 53 lb 19.4 kg / 42.7 lb
	MRP-19	Triple display	25.1 kg / 55.2 lb
		Dual display	20.4 kg / 44.9 lb
Gross Weight	MRP-K17 / MRP-X17 / MRP-F17	Triple display Dual display	29.3 kg / 64.5 lb 24.2 kg / 53.2 lb
	MRP-19	Triple display	30.3 kg / 66.7 lb
		Dual display	25.2 kg / 55.4 lb
Chassis color		Dark	
Chassis materials		Steel	

* All dimensions stated are subject to change if options are selected / integrated to base model part codes

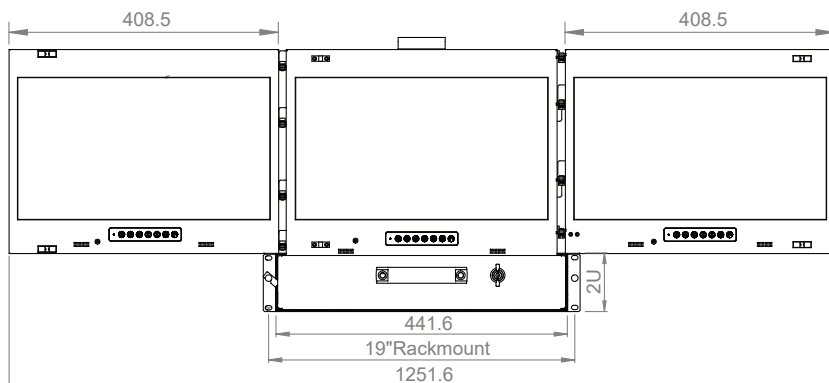
Compliance	
EMC	FCC & CE
Safety	CE / LVD & UKCA
Environment	REACH & RoHS3 / WEEE

Environment	
Operating temp.	0 to 55°C degree
Storage temp.	-20 to 60°C degree
Operating humidity	10~90%, non-condensing
Storage humidity	5 ~90%, non-condensing
Operating altitude	16,000 ft
Non-operating altitude	40,000 ft
Shock	10G acceleration (11ms duration)
Vibration	10~300Hz 0.5G RMS random vibration

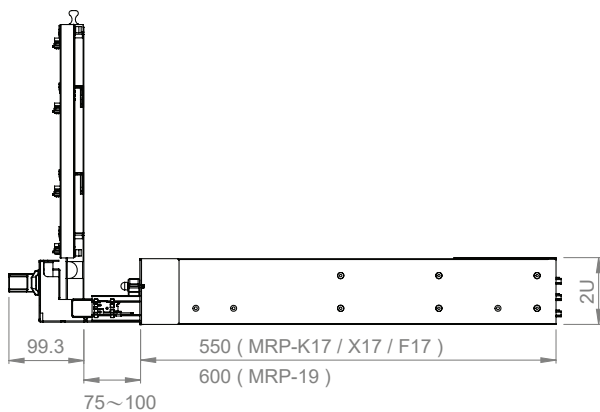
Diagrams (mm)



Front View



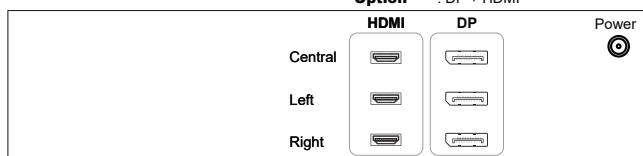
Side View



Rear View

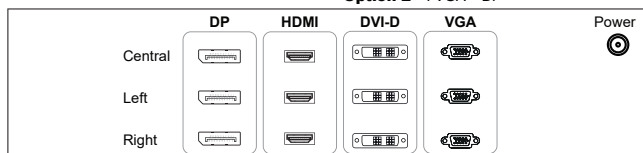
MRP-K17

Standard : DP
Option : DP + HDMI



MRP-F17

Standard : VGA + DVI-D
Option 1 : VGA + HDMI
Option 2 : VGA + DP



MRP-X17 / MRP-19

Standard : VGA + DVI-D
Option : VGA + HDMI

