

U-802

U-1602

U-3202

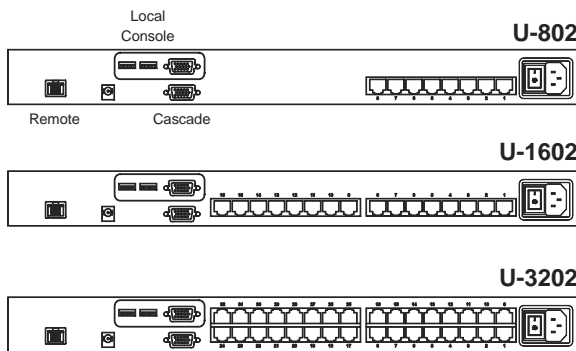


Combo Cat6 2-console KVM Benefits

- ▶ Combo Cat6 KVM with either 8, 16 or 32 ports in 1U
- ▶ Up to 40 meters between your servers & KVM ports
- ▶ Remote access up to 150 meters
- ▶ Cascade switches up to 8 levels & Mix switches between Cat6 & Combo DB-15 KVM
- ▶ Support DVI-USB, VGA-USB & VGA-PS/2 server interface
- ▶ Mix PS/2, USB & SUN with Multi-Platform switch capability

Switch Features & Options

- Multi lingual on screen display menu
- Advanced user profiles and configurable OSD hot key combinations
- Dual power with failover
- DC power options : 12V / 24V / 48V / 110 ~ 125V



Ordering Information

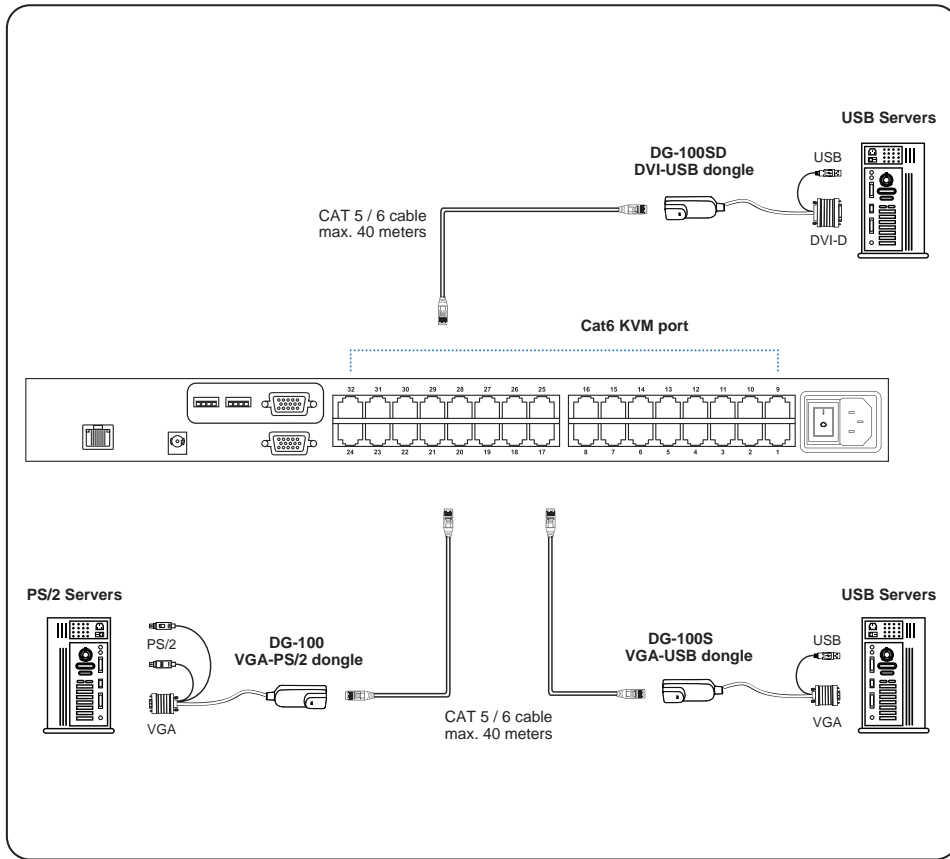
Console	Local	Remote	TP	8-port	16-port	32-port
	1	1	0	U-802	U-1602	U-3202

KVM Specification

■ KVM Port Number of ports: 8, 16 or 32 Connector: RJ-45 Connectivity: DVI-D / VGA connector dongle up to 40 meters (132 feet) via Cat6 / Cat5 cable
■ Local Console Graphic Connector: 1 x DB-15 VGA Resolution: Up to 1600 x 1200 Input device: 2 x USB type A for keyboard & mouse Resolution support: 4:3 - max. 1600 x 1200
■ Remote Console Connector: 1 x DB 15-pin, VGA Resolution: Up to 1600 x 1200 Input device: 2 x USB type A for keyboard & mouse Remote I/O: RJ45 via Cat5 / Cat5e / Cat6 cable up to 150m Compensation: Auto adjust for cable length Resolution support: 4:3 - max. 1600 x 1200
■ Expansion: Up to 256 servers by 8-level cascade
■ Compatibility Hardware : HP / IBM / Dell PC, Server and Blade Server SUN / Mac OS Support : Windows / Linux / Unix / Mac OS

■ Power Input: Auto sensing 100 to 240VAC, 50 / 60 Hz Option DC: 12V / 24V / 48V / 110 ~ 125V DC input Consumption: Max. 14W
■ Regulatory Safety: cUL, FCC & CE certified Environment: RoHS2 & REACH compliant
■ Environmental Operating temperature : 0 to 55°C degree Storage temperature : -20 to 60°C degree Operating humidity : 20~90%, non-condensing Storage humidity : 5 ~90%, non-condensing Operating altitude : 16,000 ft Non-operating altitude : 40,000 ft Shock : 10G acceleration (11ms duration) Vibration : 5~500Hz 1G RMS random vibration
■ Product Information Dimension (W x D x H) : 443 x 171 x 44 mm / 17.4 x 6.7 x 1.73 inch Net weight : 3 kg / 6.5 lb
■ Packing Information Dimension (W x D x H) : 500 x 400 x 90 mm / 19.7 x 15.7 x 3.5 inch Gross weight : 5 kg / 11 lb

KVM port & Cat6 dongle connection



DG-100SD DVI-USB dongle

- To connect DVI-D connector to the computer's video card
- To connect USB connector to the computer's USB port



DG-100S VGA-USB dongle

- To connect DB-15 connector to the computer's video card
- To connect USB connector to the computer's USB port

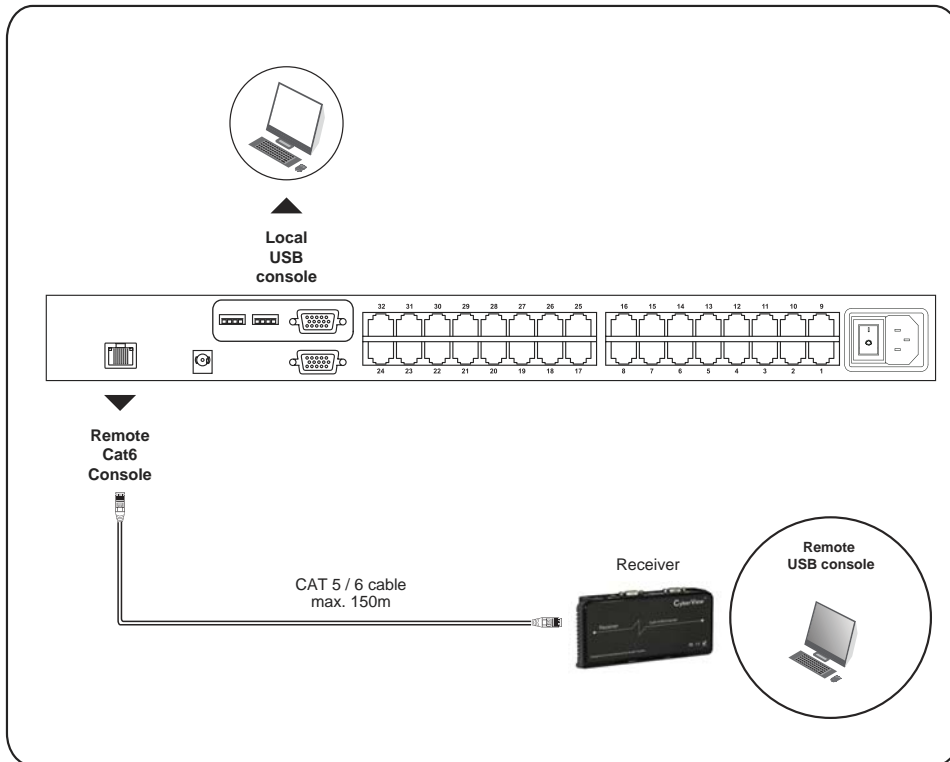


DG-100 VGA-PS/2 dongle

- To connect DB-15 connector to the computer's video card
- To connect PS/2 keyboard connector to the computer's keyboard port
- To connect PS/2 mouse connector to the computer's mouse port

Dongle Resolution Support	Frequency (Hz)
1600 x 1200	60
1280 x 1024	60
1024 x 768	60 / 70 / 75

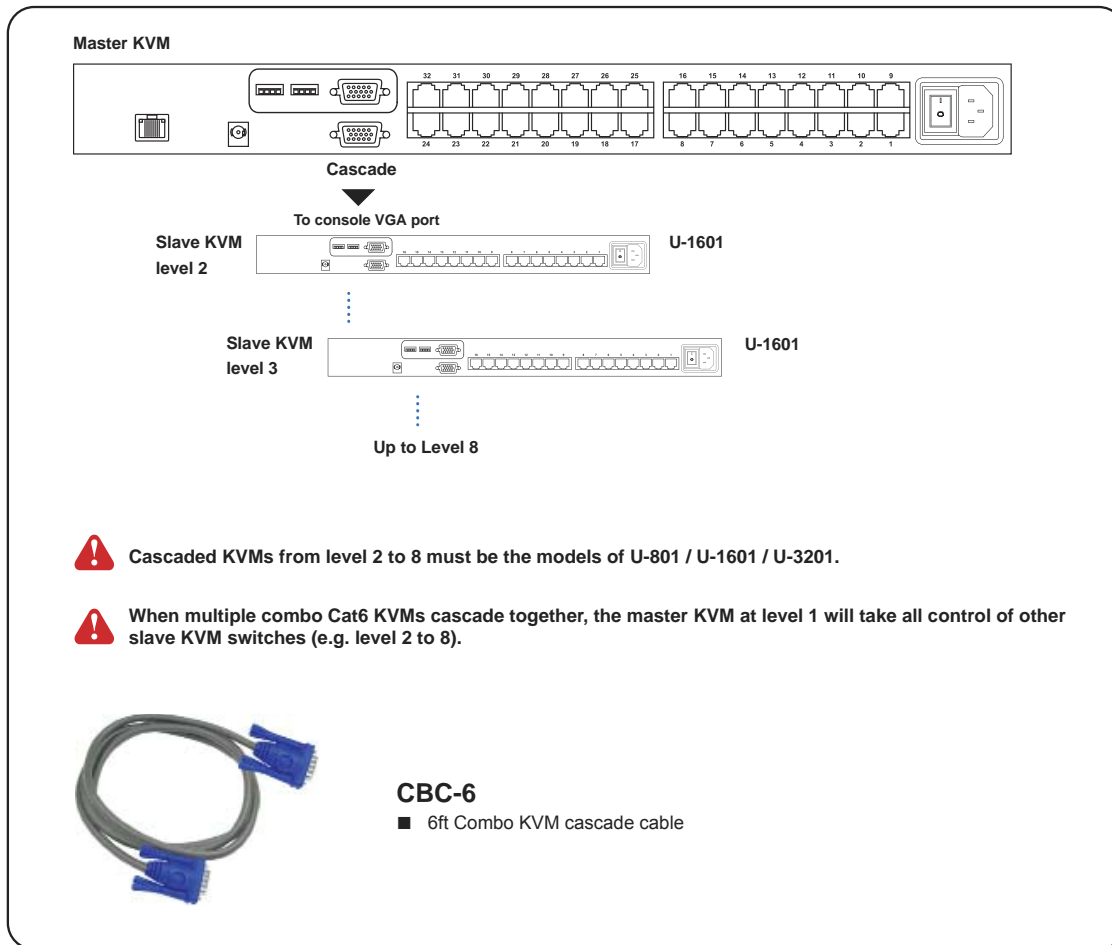
Remote & Local console connection



Remote Console Resolution Support	Frequency (Hz)
1600 x 1200	60
1280 x 1024	60
1024 x 768	60 / 70 / 75

KVM Cascade

- Cascade up to 8 levels, 256 servers
- Cascading multiple KVM with CBC-6 cascade cable.



Warning: For detailed product specifications and options, please download the user manual from the link below :
www.austin-hughes.com/support/usermanual/cyberview/UM-CV-UKVM.pdf