



### Key Benefits

- ▶ 24" LED, 1920 x 1200 **WUXGA** native resolution
- ▶ 16.7 M colors / 300 cd/m<sup>2</sup> brightness
- ▶ PIP Sub-screen & PBP Dual-screen viewing efficiency
- ▶ HDMI 1.3 + DVI-D + S-Video + BNC + VGA video input
- ▶ Rugged structure ensures high mobility
- ▶ IP65 front protection ( NAP series )
- ▶ Professional-use durability & around-the-clock operation
- ▶ 2-year standard warranty ( upgradable up to 5 years )

### Applications

- Broadcasting / Advertising
- Traffic control / Command center
- Directory / Ticket kiosk
- Surveillance system
- Vehicle mount display
- Bathroom TV

UltraView X24 series 24" WUXGA LED monitor supports 1920 x 1200 resolution. 16.7 million colors achieve optimal picture quality. Improved energy efficiency and fan-less architecture provides professional-use durability and around-the-clock operation.

X24 is more than just a standalone monitor. UltraView has a variety of embedded modules including Multi-Monitor OSD Controller and SDI Input. The embedded modules give you the ability of video remote management and transmission for multiple monitors over network.

As a versatile 1920 x 1200 monitor, X24 is meticulously designed to meet professional and environmental demands including IP54 Front protection, Multi-touch, Anti-reflective/Vandal proof glass, DC power input, Brightness dimming and Mounting kit for Panel-mount, VESA-mount, Universal-mount and Desktop stand.

With over 22 years' production experience, the X24 structure is well-engineered and manufactured by our own CNC facilities and team of experts to ensure its ruggedness, mobility and quality, as well as being suitable for harsh environment applications. The structure can be customized if required to facilitate monitor installation. Our knowledgeable engineers are able to provide frame customization for specific dimensions, color, metal treatment, screen printing, bezel and mounting.

## Options

### Video Management & Transmission over Network

- Embedded Multi Monitor OSD Control Module over serial
- Embedded 3G / HD / SD-SDI Input Module
- Embedded Brightness Dimming Module

### Bezel & Frame Customization

- Dimension
- Color & Treatment
- Screen Printing
- Stainless Steel Bezel

### Touchscreen & Glass Protection

- 5-Wire Resistive 1-point Touch
- Anti-reflective Glass
- Vandal Proof Glass

### DC Power

- 12V / 24V / 48V / 125VDC ( 75 Watt )

### Mounting

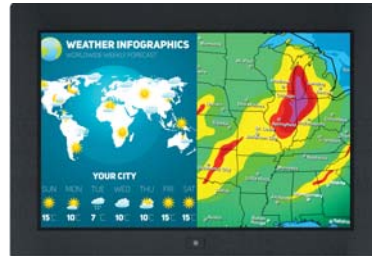
- VESA mount , 100 x 100mm ( bundled )
- Universal mount ( bundled )
- Desktop stand ( option )
- Panel mount ( bundled )

6mm aluminum front bezel



AP-X24

6mm aluminum front bezel  
NEMA 4 / IP65 front protection



NAP-X24

Aluminum front cover



DP-X24

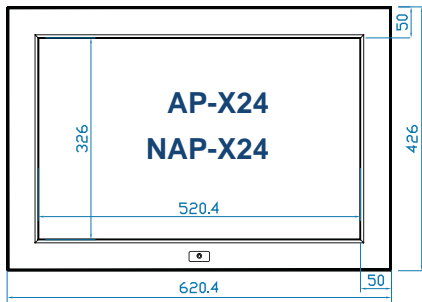
Universal open frame



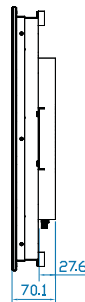
OP-X24

### Diagrams ( mm )

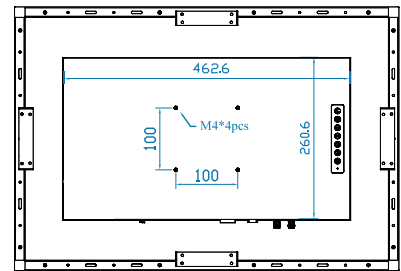
Front View



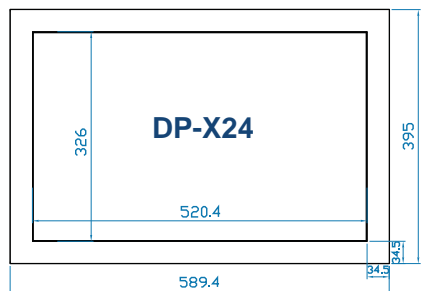
Side View



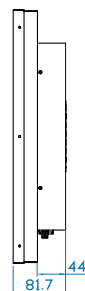
Rear View



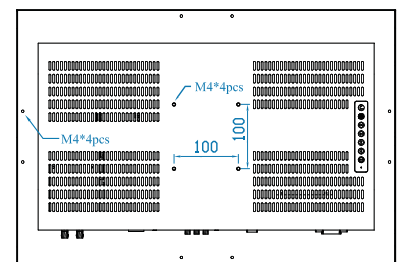
Front View



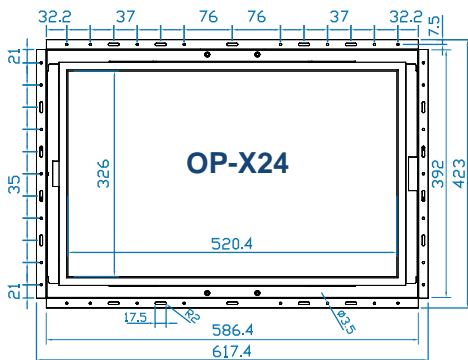
Side View



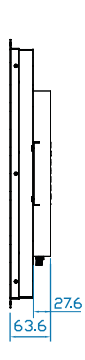
Rear View



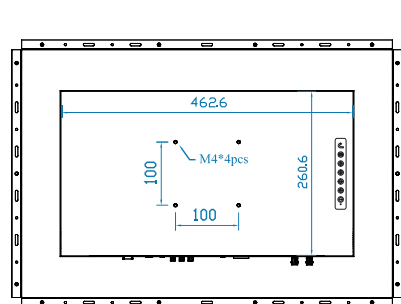
Front View



Side View



Rear View

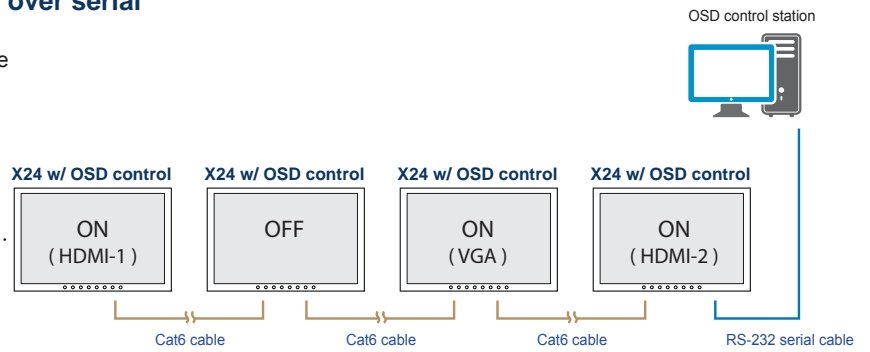


## Options — Video Management & Transmission over Network

### Embedded Multi Monitor OSD Control Module over serial

- Remote control the monitor OSD via RS-232C serial interface
- Daisy chain up to 64 monitors via Cat5/6 cable
- Individual ID for individual monitor OSD settings
- Power ON or OFF monitor
- Adjust brightness & audio
- Switch video sources

Up to 64 monitors  
Up to 1,000m distance



**Part no.**

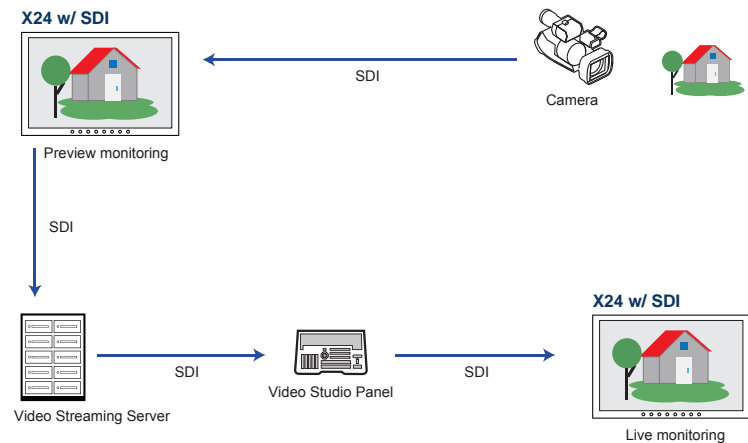
Embedded Multi Monitor OSD Control Module : **MCS**

### Embedded 3G / HD / SD-SDI Input Module

- Intelligent SDI monitoring with broadcast quality scopes
- Supports multi-rate 3G / HD / SD-SDI format
- Provides input to output loop-through capability
- Auto format sensing & selection

**Part no.**

Embedded 3G / HD / SD-SDI Input Module : **SDI**

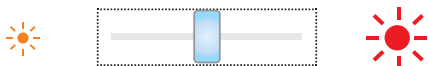


### Embedded Auto Brightness Dimming Module

- Brightness changes according to its ambient brightness
- Its brightness change causes 10% increase or decrease

**Part no.**

Embedded Brightness Auto Dimming Module : **DA-01**



### Embedded Manual Brightness Dimming Knob

- Easy-to-use IP54 dimming knob on the front panel
- One click causes 2% brightness increase or decrease
- Brightness adjustment from 0% to 100%

**Part no.**

Brightness Dimming Knob : **DS-01**

## Option — e-Resistive 1-point Touch

|                    | TRB e-Resistive              |
|--------------------|------------------------------|
| Technology         | 5-Wire Resistive             |
| Touch Point        | Single                       |
| Input Type         | Finger or Stylus             |
| Resolution         | 2048 x 2048                  |
| Response Speed     | 15 ms                        |
| Activation Force   | ≤ 50 g                       |
| Surface Hardness   | 3H                           |
| Light Transmission | 80% ± 3%                     |
| Haze               | 8% ± 3%                      |
| Durability         | 10 million touches           |
| Top Layer          | ITO Film                     |
| Bottom Layer       | ITO Glass                    |
| Thickness          | 2.2 ± 0.2 mm                 |
| Connector          | USB Type A                   |
| Compatibility      | Windows 7 / XP / Linux / Mac |

Part no. : X24TRB

\*\* Dimension will be changed if multi-touch required

## Options — DC Power

|               |                | 12V     | 24V      | 48V      | 125V      |
|---------------|----------------|---------|----------|----------|-----------|
| Input rating  | Input voltage  | 12-Volt | 24-Volt  | 48-Volt  | 110-Volt  |
|               | Input range    | 9 ~ 18V | 18 ~ 36V | 36 ~ 75V | 66 ~ 160V |
| Input current | No load        | 50 mA   | 50 mA    | 50 mA    | 35 mA     |
|               | Full load      | 7183 mA | 3551 mA  | 1755 mA  | 749 mA    |
| Output rating | Output voltage | 12-Volt | 12-Volt  | 12-Volt  | 12-Volt   |
|               | Output current | 6.25A   | 6.25A    | 6.25A    | 6.25A     |
| Efficiency    |                | 87%     | 88%      | 89%      | 91%       |

Part no. : 12VDC  
24VDC  
48VDC  
125VDC

## Product Specifications

| LCD Panel                       |                                    |
|---------------------------------|------------------------------------|
| Panel size (diagonal)           | 24.1-inch widescreen TFT color LCD |
| Native resolution               | 1920 x 1200                        |
| Brightness (cd/m <sup>2</sup> ) | 300                                |
| Contrast ratio (typ.)           | 1000 : 1                           |
| Colors                          | 16.7 M                             |
| Viewing angle (L/R/U/D)         | 89/89/89/89                        |
| Response time (ms)              | 14                                 |
| Dot pitch (mm)                  | 0.27                               |
| Display area (mm)               | 518.4H x 324V                      |
| Surface treatment               | Anti-glare, Hard-coating           |
| Surface hardness                | 3H                                 |
| Backlight type                  | LED                                |
| MTBF (hrs)                      | 30,000                             |

| Design      | AP-X24          | NAP-X24       | DP-X24      | OP-X24     |
|-------------|-----------------|---------------|-------------|------------|
| Protection  | 6mm front bezel | NEMA 4 / IP65 | front cover | open frame |
| Front panel | Black, RAL 9005 |               |             | -          |
| Rear casing | Black, RAL 9005 |               |             |            |

| Mounting        | AP-X24 / NAP-X24 | DP-X24       | OP-X24       |
|-----------------|------------------|--------------|--------------|
| VESA mount      | 100 x 100 mm     | 100 x 100 mm | 100 x 100 mm |
| Universal mount | -                | -            | bundled      |
| Desktop stand   | option           | option       | -            |
| Panel mount     | bundled          | bundled      | -            |

| Video             |                     |
|-------------------|---------------------|
| Digital :         |                     |
| DVI               | DVI-D single link   |
| HDMI              | HDMI 1.3 / HDCP 1.3 |
| Analog :          |                     |
| VGA               | Analog 0.7Vp-p      |
| Composite ( BNC ) | NTSC & PAL          |
| S-Video ( 4-pin ) | NTSC & PAL          |

| Physical              | AP-X24 / NAP-X24   | DP-X24             | OP-X24             |
|-----------------------|--------------------|--------------------|--------------------|
| Product (W x D x H) : |                    |                    |                    |
| mm                    | 620.4 x 70.1 x 426 | 589.4 x 81.7 x 395 | 617.4 x 63.6 x 423 |
| inch                  | 24.4 x 2.8 x 16.8  | 23.2 x 3.2 x 15.6  | 24.3 x 2.5 x 16.7  |
| Packing (W x D x H) : |                    |                    |                    |
| mm                    | 701 x 121 x 685    | 701 x 121 x 685    | 701 x 121 x 685    |
| inch                  | 27.6 x 4.8 x 27    | 27.6 x 4.8 x 27    | 27.6 x 4.8 x 27    |
| Net weight            | 10.9 kg / 24 lb    | 12.8 kg / 28.2 lb  | 10 kg / 22 lb      |
| Gross weight          | 14.7 kg / 32.3 lb  | 16.6 kg / 36.5 lb  | 13.7 kg / 30.1 lb  |
| Chassis color         | dark               |                    |                    |
| Chassis materials     | Aluminum           |                    |                    |

| Audio                    |                   |
|--------------------------|-------------------|
| Audio input :            |                   |
| Connector                | 3.5mm stereo jack |
| Impedance / Power level  | 30kΩ / 750mV      |
| Audio output :           |                   |
| Connector                | 3.5mm stereo jack |
| Resistance / Power level | 30kΩ / 2.8V       |
| Speaker :                |                   |
| Dual stereo speaker      | 10W x 2           |

| Compliance  |                         |
|-------------|-------------------------|
| EMC         | FCC & CE certified      |
| Safety      | CE / LVD certified      |
| Environment | RoHS2 & REACH compliant |

\*When the audio output is connected, speaker output is OFF

| Power             |                                       |
|-------------------|---------------------------------------|
| Input             | Auto-sensing 100 to 240VAC, 50 / 60Hz |
| Consumption :     |                                       |
| Screen on         | Max. 40W                              |
| Power saving mode | Max. 5W                               |
| Power button on   | Max. 1W                               |

| Applicable Format  |              |   |
|--------------------|--------------|---|
| Display port input | PC signal    | 1920 x 1200 x 60Hz<br>1360 x 768 x 60Hz<br>1280 x 1024 x 60 / 75Hz<br>1280 x 960 x 60Hz<br>1280 x 768 x 60 / 75Hz<br>1152 x 864 x 75Hz<br>1024 x 768 x 60 / 70 / 75Hz<br>848 x 480 x 60Hz<br>800 x 600 x 60 / 72 / 75Hz<br>720 x 400 x 70Hz<br>640 x 480 x 60 / 72 / 75Hz<br>640 x 400 x 70Hz<br>640 x 350 x 70Hz |
|                    | Audio signal | 2ch Linear PCM  |
| HDMI input         | PC signal    | Same as VGA   |
|                    | HDMI 1.3     | 1920 x 1080 x 50 / 60Hz ( 1080p )<br>1920 x 1080 x 25 / 30Hz ( 1080i )<br>1280 x 720 x 50 / 60Hz ( 720p )<br>720 x 480 x 50 / 60Hz ( 576p / 480p )  |
|                    | Audio signal | 2ch Linear PCM  |

| Environment            |                                    |
|------------------------|------------------------------------|
| Operating temp.        | 0 to 55°C degree                   |
| Storage temp.          | -20 to 60°C degree                 |
| Operating humidity     | 20~90%, non-condensing             |
| Storage humidity       | 5 ~90%, non-condensing             |
| Operating altitude     | 16,000 ft                          |
| Non-operating altitude | 40,000 ft                          |
| Shock                  | 10G acceleration ( 11ms duration ) |
| Vibration              | 10~300Hz 0.5G RMS random vibration |

## UltraView Family

UltraView series covers a full range of professional LCD display sizes from 6.5" to 65". Please select from the below the most suitable model for your application.

### Sales Inquiry

[inquiry@austin-hughes.com](mailto:inquiry@austin-hughes.com)

### Technical Support

[support@austin-hughes.com](mailto:support@austin-hughes.com)

### 16 : 9 ( 4K / 1080p )

- K65"
- K55"
- K43"
- K32"
- K28"
- K23"
- K17"
- K15"

### 16 : 9 ( 1080p )

- F21"
- F17"
- F15"

### 16 : 10

- X24" ( 1920 x 1200 )
- X17" ( 1920 x 1200 )
- W19" ( 1440 x 900 )

### 4 : 3

- 20" ( 1600 x 1200 )
- 19" ( 1280 x 1024 )
- 17" ( 1280 x 1024 )
- 15" ( 1024 x 768 )
- 12" ( 800 x 600 )
- 10" ( 800 x 600 )
- 8" ( 800 x 600 )
- 6" ( 640 x 480 )

## Sunlight Readable

### 16 : 9 ( 4K / 1080p )

- K65"
- K55"
- K43"
- K32"

### 16 : 9 ( 1080p )

- F21"
- F17"

### 16 : 10

- W19" ( 1440 x 900 )

### 4 : 3

- 19" ( 1280 x 1024 )
- 17" ( 1280 x 1024 )

Austin Hughes has an extensive distribution network, including EMEA, the Americas & APAC.

Contact your nearest sales office for details of local presentation.

### Sales Inquiry

[inquiry@austin-hughes.com](mailto:inquiry@austin-hughes.com)

### Technical Support

[support@austin-hughes.com](mailto:support@austin-hughes.com)

Distributed by:

Distributor by country on application