

User Manual 21.5" FHD 1920 x 1080 LCD



RP-F921

9U Rackmount Display Panel

1080p
Full HD

Options :
- DC power



Designed and manufactured by Austin Hughes

751

Legal Information

First English printing, July 2022

Information in this document has been carefully checked for accuracy; however, no guarantee is given to the correctness of the contents. The information in this document is subject to change without notice. We are not liable for any injury or loss that results from the use of this equipment.

Safety Instructions

Please read all of these instructions carefully before you use the device. Save this manual for future reference.

- Unplug equipment before cleaning. Don't use liquid or spray detergent; use a moist cloth.
- Keep equipment away from excessive humidity and heat. Preferably, keep it in an air-conditioned environment with temperatures not exceeding 40° Celsius (104° Fahrenheit).
- When installing, place the equipment on a sturdy, level surface to prevent it from accidentally falling and causing damage to other equipment or injury to persons nearby.
- When the equipment is in an open position, do not cover, block or in any way obstruct the gap between it and the power supply. Proper air convection is necessary to keep it from overheating.
- Arrange the equipment's power cord in such a way that others won't trip or fall over it.
- If you are using a power cord that didn't ship with the equipment, ensure that it is rated for the voltage and current labeled on the equipment's electrical ratings label. The voltage rating on the cord should be higher than the one listed on the equipment's ratings label.
- Observe all precautions and warnings attached to the equipment.
- If you don't intend on using the equipment for a long time, disconnect it from the power outlet to prevent being damaged by transient over-voltage.
- Keep all liquids away from the equipment to minimize the risk of accidental spillage. Liquid spilled on to the power supply or on other hardware may cause damage, fire or electrical shock.
- Only qualified service personnel should open the chassis. Opening it yourself could damage the equipment and invalidate its warranty.
- If any part of the equipment becomes damaged or stops functioning, have it checked by qualified service personnel.

What the warranty does not cover

- Any product, on which the serial number has been defaced, modified or removed.
- Damage, deterioration or malfunction resulting from:
 - Accident, misuse, neglect, fire, water, lightning, or other acts of nature, unauthorized product modification, or failure to follow instructions supplied with the product.
 - Repair or attempted repair by anyone not authorized by us.
 - Any damage of the product due to shipment.
 - Removal or installation of the product.
 - Causes external to the product, such as electric power fluctuation or failure.
 - Use of supplies or parts not meeting our specifications.
 - Normal wear and tear.
 - Any other causes which does not relate to a product defect.
- Removal, installation, and set-up service charges.

Regulatory Notices Federal Communications Commission (FCC)

This equipment has been tested and found to comply with the limits for a Class B digital device, pursuant to Part 15 of the FCC rules. These limits are designed to provide reasonable protection against harmful interference in a residential installation.

Any changes or modifications made to this equipment may void the user's authority to operate this equipment. This equipment generates, uses, and can radiate radio frequency energy and, if not installed and used in accordance with the instructions, may cause harmful interference to radio communications.

However, there is no guarantee that interference will not occur in a particular installation. If this equipment does cause harmful interference to radio or television reception, which can be determined by turning the equipment off and on, the user is encouraged to try to correct the interference by one or more of the following measures:

- Re-position or relocate the receiving antenna.
- Increase the separation between the equipment and receiver.
- Connect the equipment into an outlet on a circuit different from that to which the receiver is connected.

Contents

< Part. 1 > RP-F921QD-1080

| | | |
|-----|-------------------|-----|
| 1.1 | Package Content | P.1 |
| 1.2 | Structure Diagram | P.1 |
| 1.3 | Installation | P.3 |

< Part. 2 > Specifications / OSD

| | | |
|-----|-------------------------------------|-----|
| 2.1 | Product Specifications | P.6 |
| 2.2 | On-screen Display Operation (OSD) | P.9 |

< Part. 3 > Quad Display Connection & Operation

| | | |
|-----|-----------------------|------|
| 3.1 | QD-1080 Operation | P.12 |
| 3.2 | QD-1080 Connection | P.13 |
| 3.3 | QD-1080 Specification | P.14 |

< Part. 4 > Options

| | | |
|-----|--|------|
| 4.1 | DP | P.15 |
| 4.2 | DC Power : 12V / 24V / 48V / 125V / 250V | P.15 |

Before Installation

- It is very important to mount the equipment in a suitable cabinet or on a stable surface.
- Make sure the place has a good ventilation, is out of direct sunlight, away from sources of excessive dust, dirt, heat, water, moisture and vibration.

Unpacking

The equipment comes with the standard parts shown in package content. Check and make sure they are included and in good condition. If anything is missing, or damaged, contact the supplier immediately.

How To Clean Your LCD Monitor



Caution :

- To avoid the risk of electric shock, make sure your hands are dry before unplugging your monitor from or plugging your monitor into an electrical outlet.
- When you clean your monitor, do not press down on the LCD screen. Pressing down on the screen can scratch or damage your display. Pressure damage is not covered under warranty.
- Use only cleansers made specifically for cleaning monitors and monitor screens. Cleansers not made to clean monitors and monitor screens can scratch the LCD display or strip off the finish.
- Do not spray any kind of liquid directly onto the screen or case of your monitor. Spraying liquids directly onto the screen or case can cause damage which is not covered under warranty.
- Do not use paper towels or abrasive pads to clean your monitor. Using an abrasive pad or any wood based paper product such as paper towels can scratch your LCD screen.

Cleaning Your Monitor

To clean your LCD safely, please follow these steps :

- ① Disconnect the power cord.
- ② Gently wipe the surface using a clean, dry microfiber cloth. Use as little pressure as possible.

Cleaning Tough Marks and Smudges

To remove tough marks and smudges, please follow these steps :

- ① Disconnect the power cord.
- ② Spray a small amount of non-abrasive cleanser on a microfiber cloth.



Caution : Do not spray or apply any liquids directly onto the monitor. Always apply the solution to your microfiber cloth first, not directly on the parts you are cleaning.

- ③ Gently wipe the surface. Use as little pressure as possible.
- ④ Wait until your monitor is completely dry before plugging it in and powering it up.

< Part 1 > RP-F921QD-1080

< 1.1 > Package Content

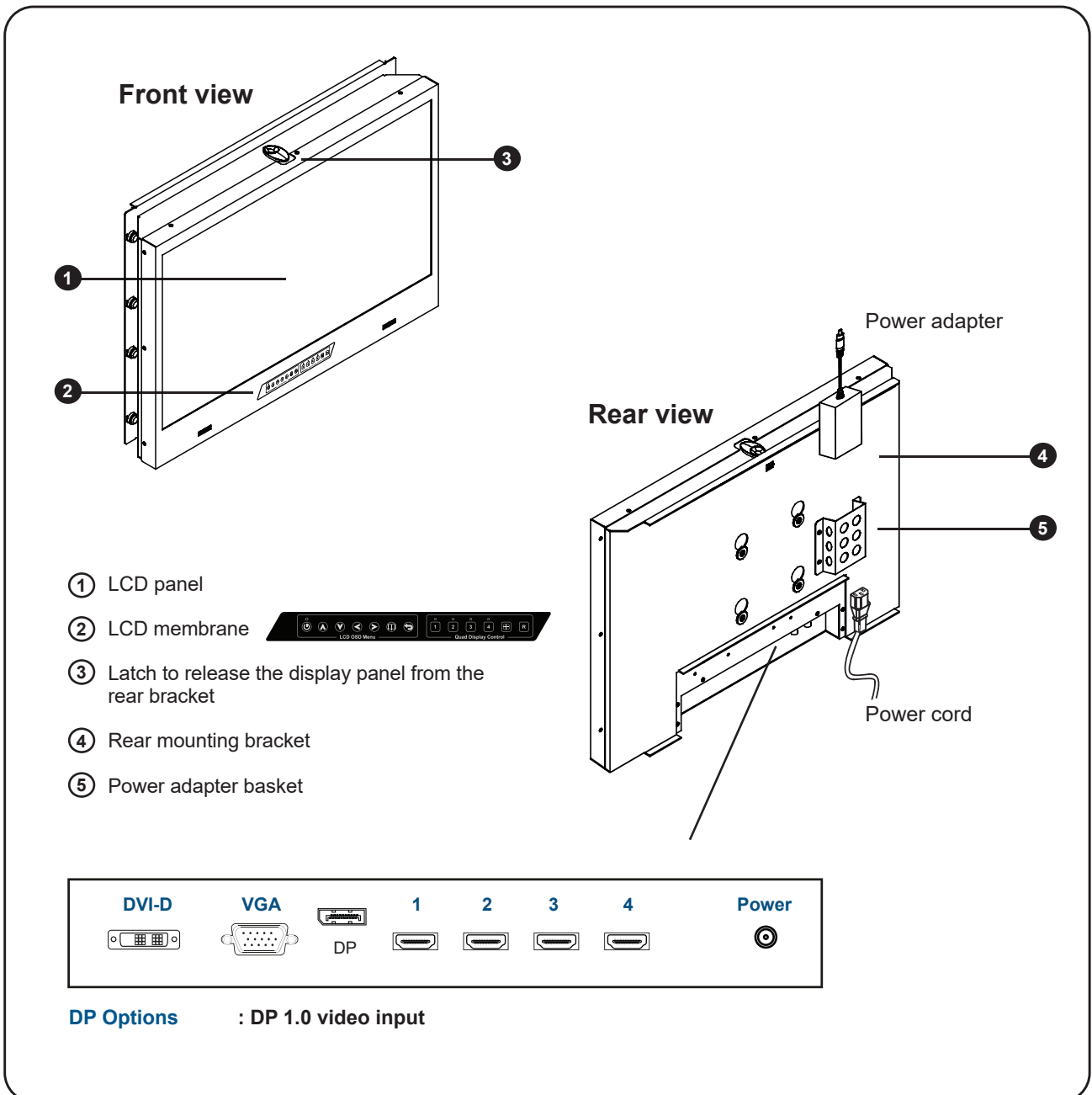
RP-F921QD-1080



RP-F921QD-1080 unit X 1

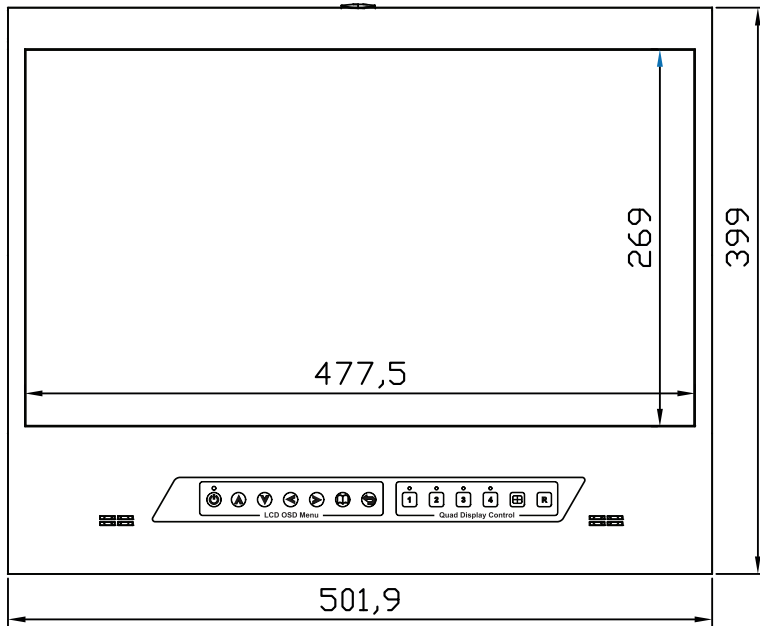
- 6ft VGA cable X 1
- Power adapter X 1
- Power cord X 1
- Fastener screw for rear bracket x 2

< 1.2 > Structure Diagram

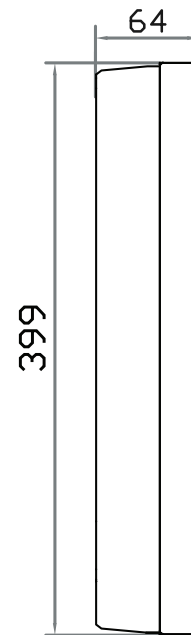


< 1.2 > Dimension

Front View

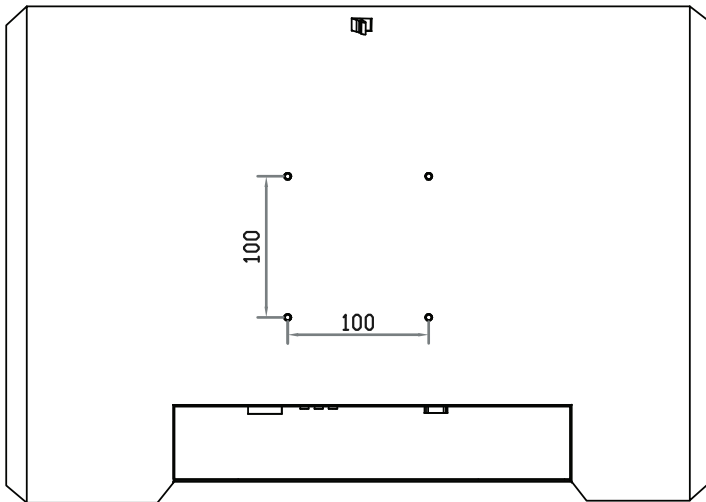


Side View



UNIT : mm
1mm = 0.03937 inch

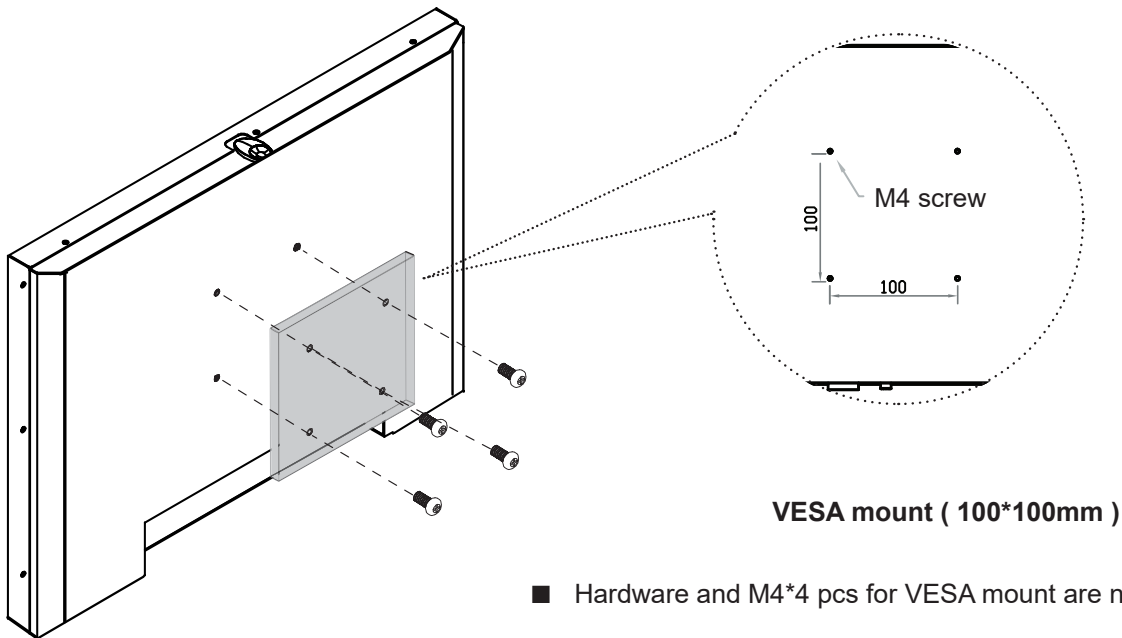
Rear View



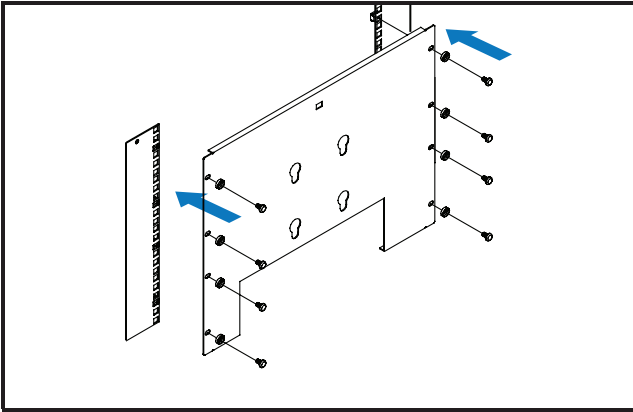
Bottom View



| Model | Product Dimension (W x D x H) | Packing Dimension (W x D x H) | Net Weight | Gross Weight |
|----------------|---|--|-------------------|--------------------|
| RP-F921QD-1080 | 501.9 x 64 x 399 mm 19.8 x 2.5 x 15.7 inch | 585 x 124 x 557 mm 23 x 4.9 x 21.9 inch | 9.5 kg 20.9 lb | 12.5 kg 27.5 lb |



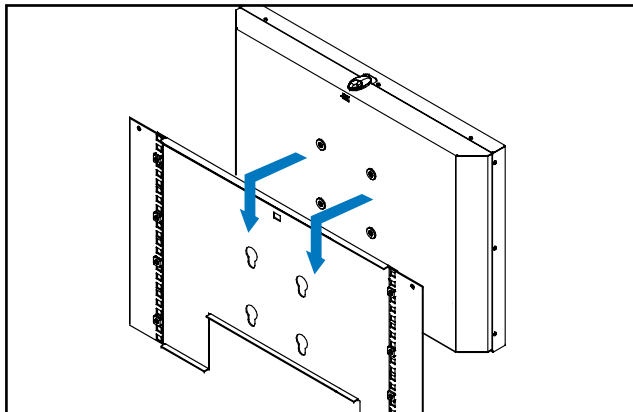
< 1.3 > Rear Mounting Bracket Installation



Step 1

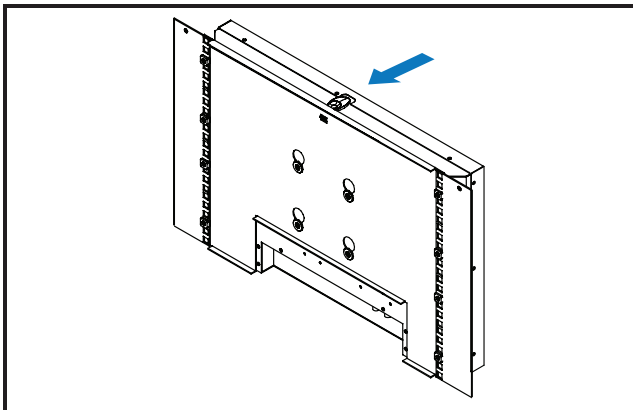
- Mount the rear bracket with M6 screw set.
- 8 x M6 screw set are required.

M6 screw sets are not provided.



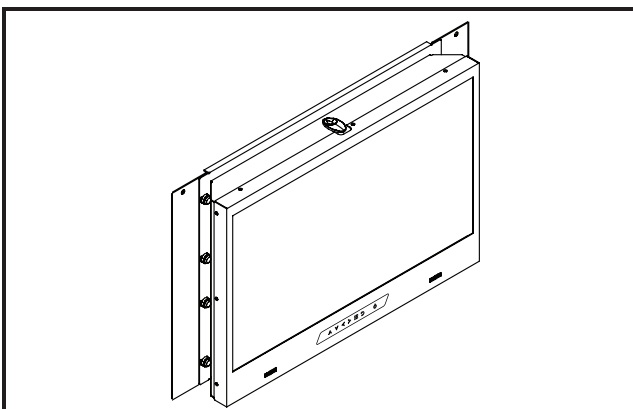
Step 2

- Insert the RP-F821 display panel into the rear bracket.



Step 3

- Fix the unit to the bracket with the top latch.



Step 4

Complete the installation

Intentionally Left Blank

< Part 2 > Specifications / OSD

< 2.1 > Product Specifications

| LCD Panel | |
|----------------------------------|------------------------------------|
| Panel Size (diagonal) | 21.5-inch Widescreen TFT color LCD |
| Native resolution | 1920 x 1080 |
| Brightness (cd/m ²) | 250 |
| Contrast Ratio (typ.) | 1000:1 |
| Colors | 16.7 M |
| Viewing Angle (L/R/U/D) | 85/85/80/80 |
| Response Time (ms) | 5 |
| Dot pitch (mm) | 0.248 |
| Display Area (mm) | 476.64H x 268.11V |
| Surface treatment | Haze 25%, Hard-coating |
| Surface hardness | 3H |
| Backlight Type | LED |
| MTBF (hrs) | 30,000 |

| Video | |
|----------|---------------------|
| VGA | Analog 0.7Vp-p |
| DVI | DVI-D single link |
| HDMI x 4 | HDMI 1.3, CEA-861-D |

| Mounting | |
|------------|--------------|
| Rackmount | 9U |
| VSEA mount | 100 x 100 mm |

| Power | Standard |
|-------------------|---------------------------------------|
| Input | Auto-sensing 100 to 240VAC, 50 / 60Hz |
| Consumption: | |
| Screen ON | Max. 28W |
| Power saving mode | Max. 2W |
| Power button OFF | Max. 1W |

| Compliance | |
|-------------|----------------------|
| EMC | FCC & CE |
| Safety | CE / LVD & UKCA |
| Environment | RoHS3 & REACH / WEEE |

| Environmental Conditions | | |
|--------------------------|-------------|------------------------------------|
| Operating | Temperature | 0 to 55°C degree |
| | Humidity | 10~90%, non-condensing |
| | Altitude | 16,000 ft |
| Storage / Non-operating | Temperature | -20 to 60°C degree |
| | Humidity | 5~90%, non-condensing |
| | Altitude | 40,000 ft |
| | Shock | 10G acceleration (11ms duration) |
| | Vibration | 10~300Hz 0.5G RMS random vibration |

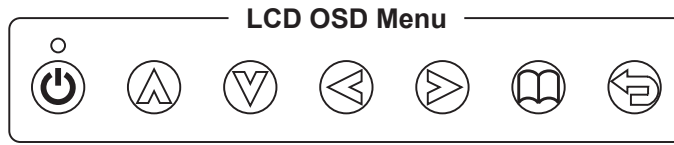
| Physical Specification | |
|------------------------|------------------------|
| Product (W x D x H) | |
| mm | 501.9 x 64 x 399 mm |
| inch | 19.8 x 2.5 x 15.7 inch |
| Packing (W x D x H) | |
| mm | 585 x 124 x 557 mm |
| inch | 23 x 4.9 x 21.9 inch |
| Net Weight | 9.5 kg / 20.9 lb |
| Gross Weight | 12.5 kg / 27.5 lb |

* All dimensions stated are subject to change if options are selected / integrated to base model part codes

| Applicable Format | | |
|-------------------|----------------|---------------------------------------|
| DVI-D / VGA Input | PC Signal | 1920 x 1080 x 60Hz |
| | | 1360 x 768 x 60Hz |
| | | 1280 x 1024 x 60 / 75Hz |
| | | 1280 x 960 x 60Hz |
| | | 1280 x 768 x 60 / 75Hz |
| | | 1152 x 864 x 75Hz |
| | | 1024 x 768 x 60 / 70 / 75Hz |
| | | 848 x 480 x 60Hz |
| | | 800 x 600 x 60 / 72 / 75Hz |
| | | 720 x 400 x 70Hz |
| | | 640 x 480 x 60 / 72 / 75Hz |
| | | 640 x 400 x 70Hz |
| 640 x 350 x 70Hz | | |
| HDMI Input * | PC Signal | Same as VGA |
| | HDMI 1.3 | 1920 x 1080 x 50 / 60Hz (1080p) |
| | | 1920 x 1080 x 25 / 30Hz (1080i) |
| | | 1280 x 720 x 50 / 60Hz (720p) |
| | | 720 x 480 x 50 / 60Hz (576p / 480p) |
| Audio Signal | 2ch Linear PCM | |

Intentionally Left Blank

- Power light
- Green = On
- Orange = Power saving



| Membrane Switch | Function |
|-----------------|--|
| | Power on / off LCD |
| | Display the OSD menu |
| | Scrolls through menu options and adjusts the displayed control (To auto adjustment by pressing the button for 5 seconds) |
| | Exit the OSD screen Toggle analog, digital & video connection (DVI-D and video options only) |

- ① All the LED touch buttons will automatically turn off after 10 minutes of idle status (except the **Power**).
- ② Light up all membrane buttons, please press any button for 1 - 2 seconds (except the **Power**).
- ③ Select another video input (only available for models with multiple video input) :
 - (a) Press the button to call up the on-screen video mode on top right corner.
 - (b) Use up/down arrow to the select the video input
 - (c) Press the button to confirm the selection

< 2.2 > On-screen Display Operation (OSD)

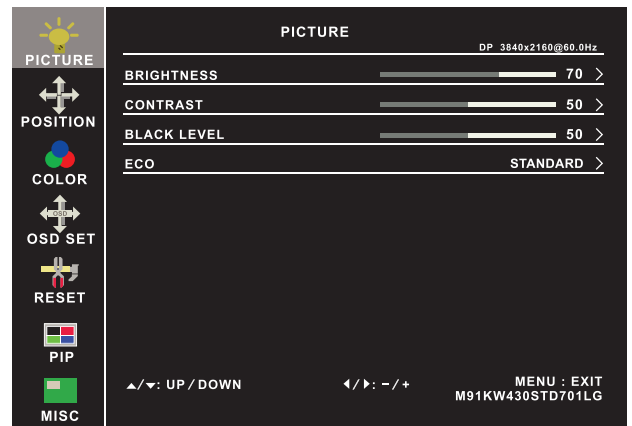
① Picture

Brightness : Adjust the screen brightness

Contrast : Adjust the difference between the image background (black level) and the foreground (white level)

Black level : Adjust background black level of the screen

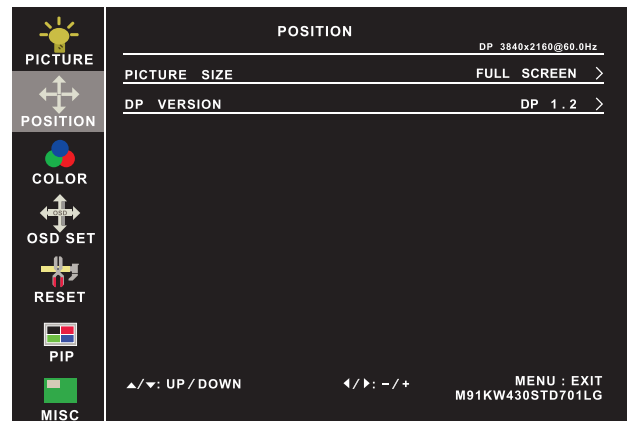
Eco : Screen in power saving mode



② Position

Picture size : Adjust the image size
- Full Screen / 4:3 / 5:4 / Pixel to Pixel

DP version : Select the DP version



③ Color

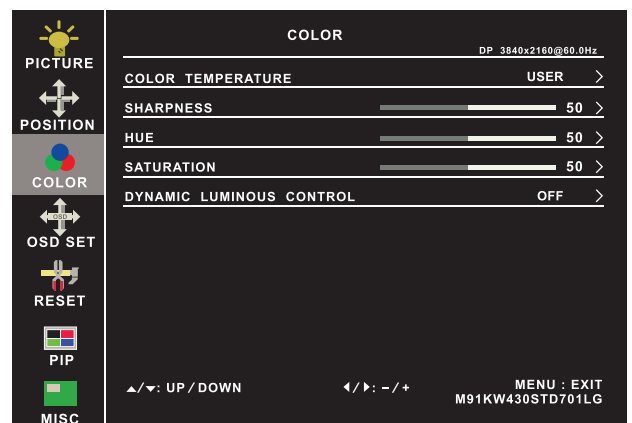
Color temperature : User / Warm / Cool / 5400k mode and Red / Green / Blue color balance

Sharpness : Adjust the image from weak to sharp

Hue : Adjust the screen hue value

Saturation : Adjust the saturation of the image color

Dynamic luminous control : Control the dynamic brightness



④ OSD Set

Language : Select the language in which the OSD menu is displayed - English

OSD H-Position : Align the screen image left or right

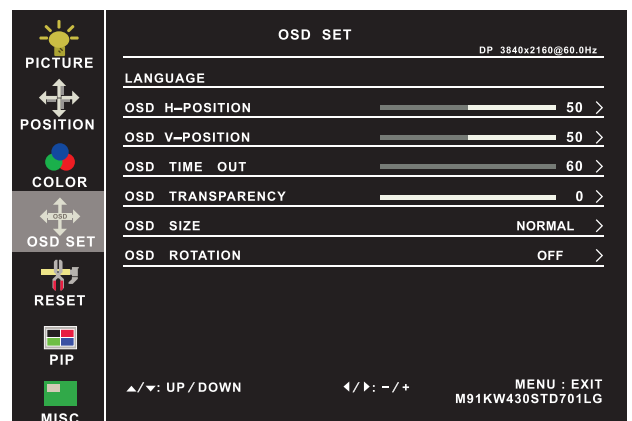
OSD V-Position : Align the screen image up or down

OSD time out : Adjust the screen timeout

OSD transparency : Adjust the screen transparency

OSD size : Adjust the screen size - Normal / Small

OSD rotation : Rotate the screen - 90° / 180° / 270°

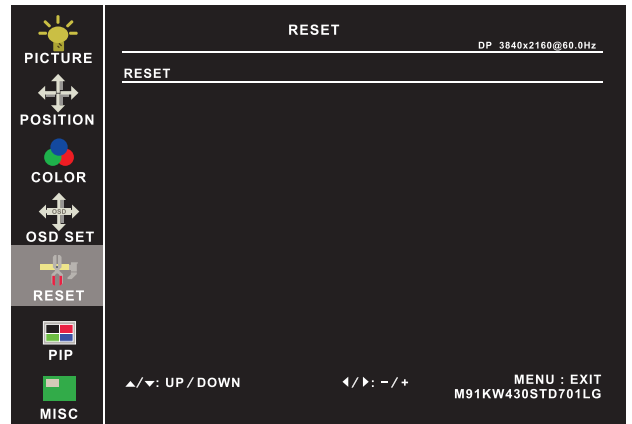


< 2.2 > On-screen Display Operation (OSD)

RP-F921QD-1080

⑤ Reset

Reset : Return the adjustment back to factory setting



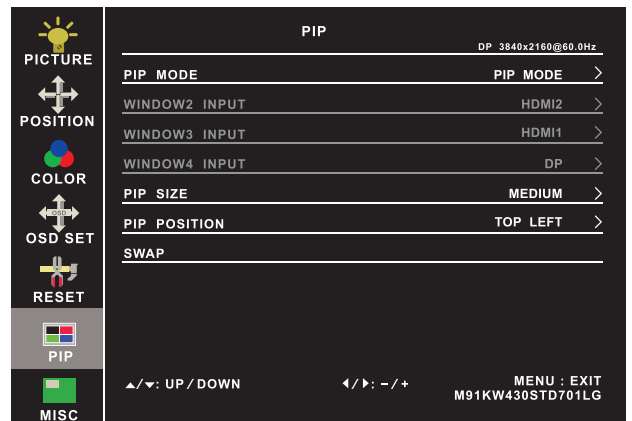
⑥ PIP (Not Applicable to F17 / MF17)

PIP mode : Enter into PIP / PBP setting - PIP MODE / PBP 2WIN (Main screen + 1 sub screen) / PBP 3WIN (Main screen + 2 sub screen) / PBP 4WIN (Main screen + 3 sub screen)
Select the signal input of each sub screen

PIP size : Adjust the size of the Sub screen
- Small / Medium / Large / Huge

PIP position : Adjust the position of the Sub screen
- Top Left / Top Right / Bottom Left / Bottom Right

Swap : Swap the input signal of PIP / PBP sub screen



⑦ MISC

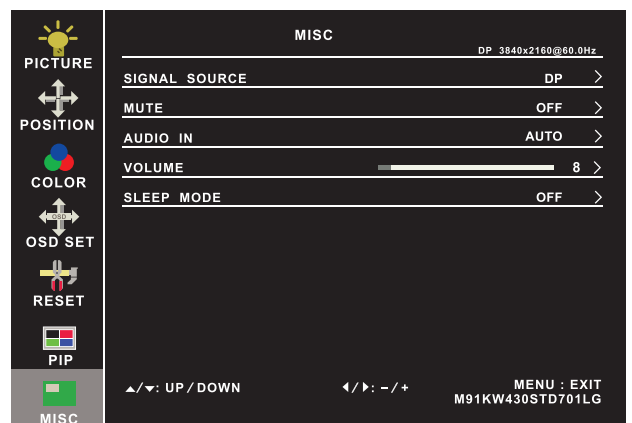
Signal source : Select the signal source - DP / HDMI1 / HDMI2

Mute : Turn off the surrounding sound

Audio in : Auto / Line in / DP

Volume : Adjust the volume of sound

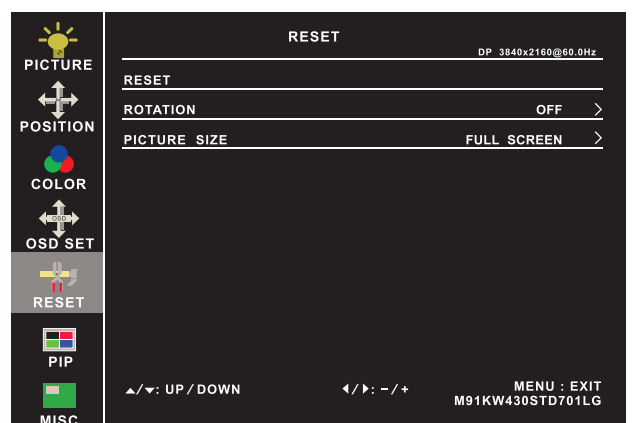
Sleep mode : Set the off time - 10 min / 20 min / 30 min / 50 min / 60 min / 120 min / 240 min



Options on Reset page

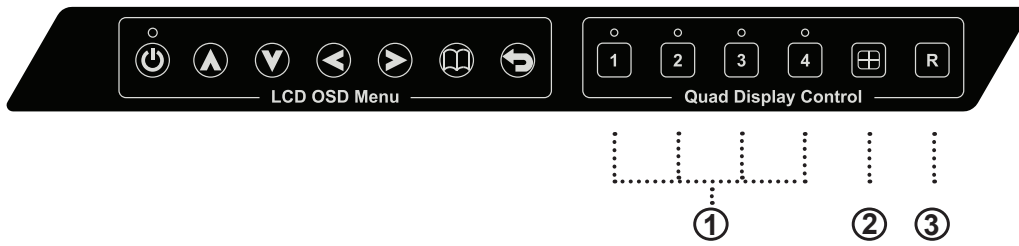
Rotation : Rotate the image in Full screen or 1:1
- 90° / 180° / 270°

Picture size : Adjust the image size in Full screen or 1:1





< Part 3 > Quad Display Connection & Operation

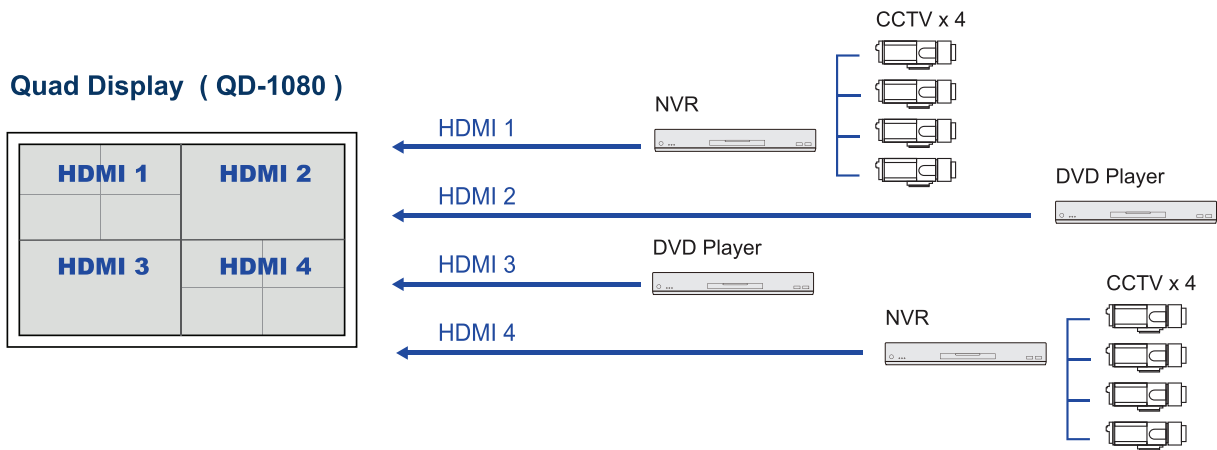
< 3.1 > QD-1080 Operation



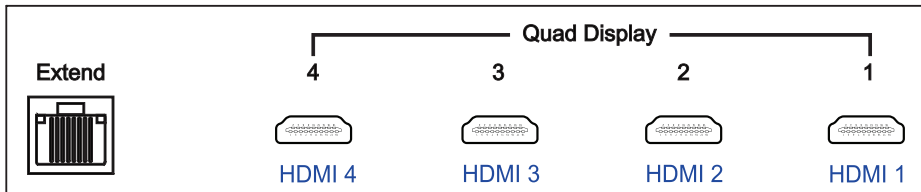
①     Press this button to select specific input to be displayed in full screen

②  Press this button to switch between Quad/ Full Screen display mode

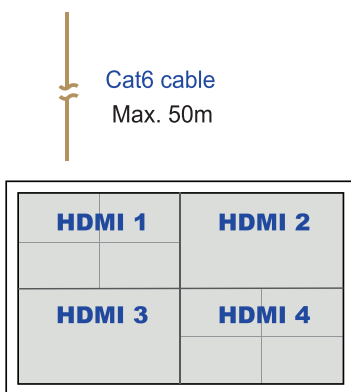
③  Press this button to select the HDMI output resolution



**Quad Display
(QD-1080)**



**Extension Module
(QD-E1080)**



Extension Module (QD-E1080)

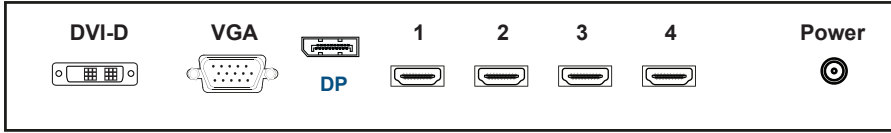
< 3.3 > QD-1080 Specification

| Item | | Description | |
|--------------------|------------------|--|----------------|
| Video Bandwidth | | 2.25 Gbps | |
| Input Port | | HDMI x 4 | |
| Output Port | | HDMI x 1 | |
| Output Port Option | | UTP x 1 | |
| Input Resolution | | 480i 60Hz, | 1080i 50/60Hz, |
| | | 480p 60Hz, | 800x600 @60, |
| | | 576i 50Hz, | 1024x768 @60, |
| | | 576p 50Hz, | 1280x720 @60, |
| | | 720p 50/60Hz, | 1920x1080 @60; |
| | | 1080p 24/30/50/60Hz | |
| Output Resolution | | 1080p | 1024x768 |
| | | 1080i | 1360x768 |
| | | 720p | |
| Audio Output | | PCM2, 5.1, 7.1CH, Dolby 5.1, DTS5.1 | |
| ESD Protection | Human Body model | ±8 kV (air-gap discharge) ±4 kV (contact discharge) | |

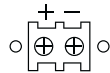
< 4.1 > DP

DP Option

- Display Port (DP 1.0, HDCP 1.3)



< 4.2 > DC Power



| Model | 12V | 24V | 48V | 125V | 250V |
|----------------------|---------|----------|----------|-----------|------------|
| Input rating | | | | | |
| Input voltage: | 12-Volt | 24-Volt | 48-Volt | 110-Volt | 300-Volt |
| Input range: | 9 ~ 18V | 18 ~ 36V | 36 ~ 75V | 66 ~ 160V | 180 ~ 425V |
| Input current | | | | | |
| - No load | 50 mA | 50 mA | 50 mA | 35 mA | 10 mA |
| - Full load | 4950 mA | 2450 mA | 1220 mA | 749 mA | 600 mA |
| Output rating | | | | | |
| Output voltage: | 12-Volt | 12-Volt | 12-Volt | 12-Volt | 12-Volt |
| Output current: | 4.16A | 4.16A | 4.16A | 6.25A | 12.5A |
| Efficiency | 84% | 85% | 85% | 91% | 86% |

*** For DC power option :

(1) If the unit with LCD, earthing may be required 

The company reserves the right to modify product specifications without prior notice and assumes no responsibility for any error which may appear in this publication.

All brand names, logo and registered trademarks are properties of their respective owners.

Copyright 2022 Austin Hughes Electronics Ltd. All rights reserved.