



# CM-397M

Component/CGA to PC Converter



Operation Manual





## **DISCLAIMERS**

The information in this manual has been carefully checked and is believed to be accurate. Cypress Technology assumes no responsibility for any infringements of patents or other rights of third parties which may result from its use.

Cypress Technology assumes no responsibility for any inaccuracies that may be contained in this document. Cypress also makes no commitment to update or to keep current the information contained in this document.

Cypress Technology reserves the right to make improvements to this document and/or product at any time and without notice.

## **COPYRIGHT NOTICE**

No part of this document may be reproduced, transmitted, transcribed, stored in a retrieval system, or any of its part translated into any language or computer file, in any form or by any means—electronic, mechanical, magnetic, optical, chemical, manual, or otherwise—without express written permission and consent from Cypress Technology.

© Copyright 2012 by Cypress Technology.

All Rights Reserved.

Version VR1.0 May 2012

## **TRADEMARK ACKNOWLEDGMENTS**

All products or service names mentioned in this document may be trademarks of the companies with which they are associated.





## SAFETY PRECAUTIONS

Please read all instructions before attempting to unpack, install or operate this equipment and before connecting the power supply.

Please keep the following in mind as you unpack and install this equipment:

- Always follow basic safety precautions to reduce the risk of fire, electrical shock and injury to persons.
- To prevent fire or shock hazard, do not expose the unit to rain, moisture or install this product near water.
- Never spill liquid of any kind on or into this product.
- Never push an object of any kind into this product through any openings or empty slots in the unit, as you may damage parts inside the unit.
- Do not attach the power supply cabling to building surfaces.
- Use only the supplied power supply unit (PSU). Do not use the PSU if it is damaged.
- Do not allow anything to rest on the power cabling or allow any weight to be placed upon it or any person walk on it.
- To protect the unit from overheating, do not block any vents or openings in the unit housing that provide ventilation and allow for sufficient space for air to circulate around the unit.

## REVISION HISTORY

VERSION NO.	DATE DD/MM/YY	SUMMARY OF CHANGE
VR0	27/06/12	Preliminary Release
VS1	21/03/13	Updated Format and Diagrams
VR2	22/07/15	CGA Input Timing



## CONTENTS

<b>1. Introduction</b> .....	<b>1</b>
<b>2. Applications</b> .....	<b>1</b>
<b>3. Package Contents</b> .....	<b>1</b>
<b>4. System Requirements</b> .....	<b>1</b>
<b>5. Features</b> .....	<b>2</b>
<b>6. Operation Controls and Functions</b> .....	<b>3</b>
6.1 Top Panel .....	3
6.2 Front Panel.....	4
6.3 Rear Panel.....	4
6.4 OSD Menu.....	5
<b>7. Connection Diagram</b> .....	<b>6</b>
<b>8. Specifications</b> .....	<b>7</b>
<b>9. Acronyms</b> .....	<b>8</b>





## 1. INTRODUCTION

This is an analog CGA (RGB) or Component (YCbCr) to PC Converter box that can scale the signal to 3 different PC modes; VGA, XGA or WXGA. It enables you to connect your RGB or YCbCr signal source such as game consoles or video players to a PC display. It provides further features such as phase & H/V position adjustment, field-invert setting and OSD display.

## 2. APPLICATIONS

- CGA to PC resolution conversion
- Component (YCbCr) video to PC resolution conversion
- Display video of older game consoles on standard PC monitors

## 3. PACKAGE CONTENTS

- Component/CGA to PC Converter
- D-Sub 15-pin to 3-RCA Component Cable
- 5V DC Power Supply Adaptor
- Operation Manual

## 4. SYSTEM REQUIREMENTS

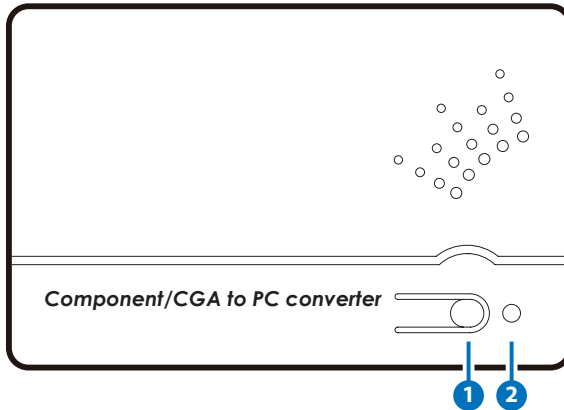
Source equipment such as a PC or Video player and output TV/monitor with appropriate connection cables.

## 5. FEATURES

- Accepts CGA (RGB) or Component (YCbCr) format and converts to PC format
- Scales CGA or Component (YCbCr 480i/576i) signals up to VGA/XGA/WXGA PC resolutions
- 50/60Hz frame rate conversion ensures error-free display (576i only)
- The CGA (RGB) input is auto-detected and can be RGBHV, RGB H+V or RGSB (Sync-on-Green)
- The Component (YCbCr) input is auto-detected and can be YPbPrHV, YPbPrS or YPbPr (Sync-on-Y)
- Play video games on your PC monitors
- Supports CGA at 480i and 576i
- Supports phase and horizontal/vertical position adjustment
- Supports field-invert setting
- Supports several types of signal synchronizations, including Composite Sync, Sync-on-Green and Sync-on-Y
- High-resolution output picture
- Plug and Play design, easy to setup and there is no driver software required
- Palm- size design for easy transportation

## 6. OPERATION CONTROLS AND FUNCTIONS

### 6.1 Top Panel



#### 1 MENU Button

Press this button once to display the current input & output resolutions and while the OSD is displayed press it again to choose between input signals, CGA (RGB) or Component (YCbCr).

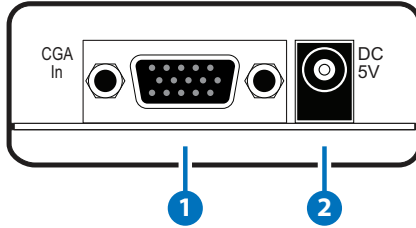
To enter into the OSD menu, press and hold the button for 3 seconds. Press it repeatedly to cycle through the options and leave the OSD menu for few seconds for unit to switch to that option.

#### 2 INPUT LED

This LED will light according to the type of source signal, red for CGA (RGB), green for Component (YCbCr).



## 6.2 Front Panel



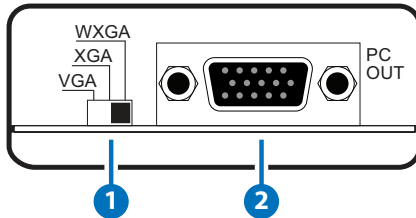
### 1 CGA IN

Connect to the source equipment such as a PC or video player with D-Sub 15-pin cable or Component (YCbCr) to D-Sub 15-pin adaptor cable.

### 2 DC 5V

Connect the supplied power adaptor to the unit and plug it into the AC wall outlet for power supply.

## 6.3 Rear Panel



### 1 VGA/XGA/WXGA Switch

Use this Switch to select the required output resolution (VGA, XGA or WXGA).

### 2 PC OUT

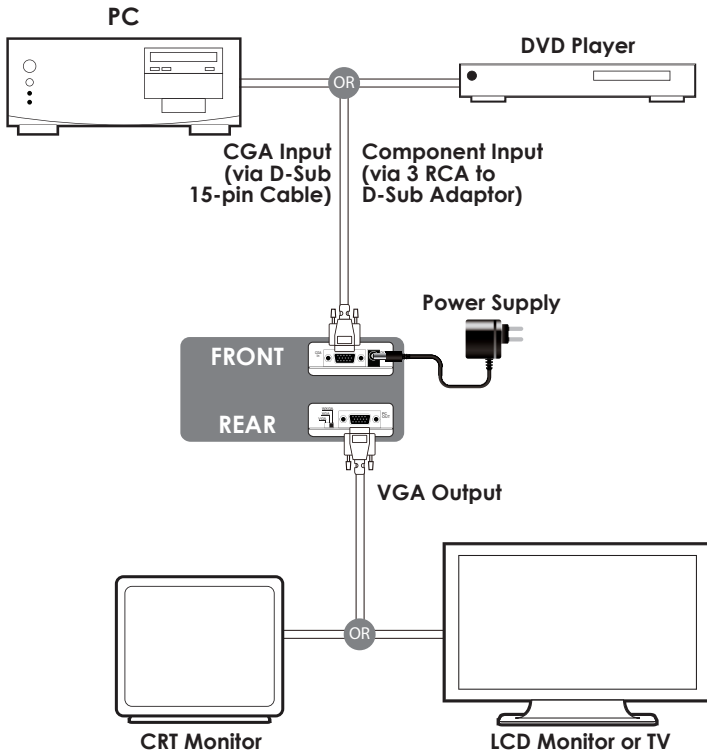
Connect to a TV/monitor with D-Sub 15pin cable for display of the converted signal.

## 6.4 OSD Menu

<b>1</b>	<b>IN</b>	<b>576i</b>
	<b>OUT</b>	<b>WXGA</b>
<b>2</b>	<b>Phase Adjust</b>	
<b>3</b>	<b>IN Color Space</b>	
<b>4</b>	<b>H Position</b>	
<b>5</b>	<b>V Position</b>	
<b>6</b>	<b>Field Invert</b>	
<b>7</b>	<b>Information</b>	
<b>8</b>	<b>System Reset</b>	
	<b>Exit</b>	

- 1** The first part of the OSD will display the current input and output resolutions.
- 2** Phase Adjust has a total of 32 steps for adjusting the phase, ranging from 0~31. Press the button repeatedly to adjust the phase setting whenever changing the source equipment. The device will keep memory of the last phase adjustment.
- 3** IN Color Space for selecting between CGA (RGB) or Component (YCbCr) input signals.
- 4** H Position has total of 20 horizontal positions ranging from -10~+10.
- 5** V Position has total of 10 vertical positions ranging from -5~+5.
- 6** Field Invert can be used to fix the even/odd field problem. Select Yes to correct the issue when the display image appears to be field inverted.
- 7** Information displays the settings for input signal, color space, field inversion and firmware version.
- 8** System reset will revert the device back to the factory default settings.

## 7. CONNECTION DIAGRAM





## 8. SPECIFICATIONS

<b>Input Port</b>	1×D-Sub 15-pin Female
<b>Input Signal</b>	Supports Analog-Level Signal RGB 0.7Vp-p 75Ω Hsync/Vsync 2 Vp-p ~ 5 Vp-p 75Ω YCbCr: Y 1 Vp-p 75Ω, CbCr 0.7 Vp-p 75Ω
<b>Input Timing</b>	CGA: Hf=15700 Hz, Vf=59.924 Hz/Non-interlaced 480i: Hf=15734 Hz, Vf=59.94 Hz/Interlaced 576i: Hf=15625 Hz, Vf=50 Hz/Interlaced
<b>Input Format Selection</b>	RGB or YCbCr
<b>Output Timing</b>	VGA: 640×480 @60 Hz XGA: 1024×768@60 Hz WXGA: 1366×768@60 Hz
<b>Power Supply</b>	5 V/1.2 A switching power adaptor (with Universal plug. CE/FCC/UL certified)
<b>Dimensions</b>	64 mm (W)×112 mm (D)×26 mm (H)
<b>Weight</b>	90 g
<b>Chassis Material</b>	Plastic
<b>Operating Temperature</b>	0 °C~40 °C/32 °F~104 °F
<b>Storage Temperature</b>	-20 °C~60 °C/-4 °F~140 °F
<b>Relative Humidity</b>	20~90 % RH (non-condensing)
<b>Power Consumption</b>	3.5 W

## 9. ACRONYMS

ACRONYM	COMPLETE TERM
<b>CGA</b>	Color Graphics Adapter
<b>RGB</b>	Red Green Blue
<b>VGA</b>	Video Graphics Array
<b>XGA</b>	eXtended Graphics Array
<b>WXGA</b>	Widescreen eXtended Graphics Array







**CYPRESS TECHNOLOGY CO., LTD**

Home page: <http://www.cypress.com.tw>