



4K HDMI/DisplayPort to HDMI(MPO optical output) Wall Plate Converter



WMC-DH

Ophit's **WMC-DH** is an MPO/MTP-type wall plate video signal converter with an option to manually select the HDMI (2.0) or DisplayPort (1.2) input switch, transmitting high-speed data through HDMI (2.0) TMDS-compatible optical output signal, producing high resolution up to 4K (4096 x 2160) @60Hz without signal degradation.

The newly launched wall plate video signal converter connects to the OMP-HM-R (Receiver) via MPO-type optical cable for up to 100m (330ft) of uncompressed data transmission. Specifically designed to be mounted in a single gang enclosure, the WMC-DH provides zero latency and offers high-speed video signal transmission solutions for Medical system or Broadcast, Control system etc.

Features

- Supports the HDMI 2.0 and DisplayPort 1.2 standards
- Equipped with two LEDs to indicate the status of input and output
- Equipped with one push button switch to reset the system
- Transmits converted optical signal using one MPO type optical cable
- Designed to mount in a single gang sized slot



[OMP-HM Receiver]
▶ Sold Separately

Specification

Fiber Cable

MPO/MTP, 8 (or 12)-core, OM3, 50/125μm multi-mode fiber : Polarity A type

Input Data Rate

Up to 18 Gbps (HDMI 2.0)
Up to 21.6Gbps (Displayport 1.2)

Output Data Rate

Up to 18 Gbps (HDMI 2.0)

Input Signal / Connector

1 x HDMI (Type-A Female Connector),
1 x DisplayPort (20pin Female Connector)

Output Signal / Connector

1 x MPO-Type (Optical Female Connector)

Optical Converter

1 x 4 Array 850nm VCSEL, 1 x VCSEL, 1 x PD

USB Connector

1 x Mini USB-B (Female Connector)

Video Resolution

Up to 4K@60Hz

Weight, Dimensions (mm)

155g (0.34 lbs), 70 x 115 x 87mm (W x D x H)

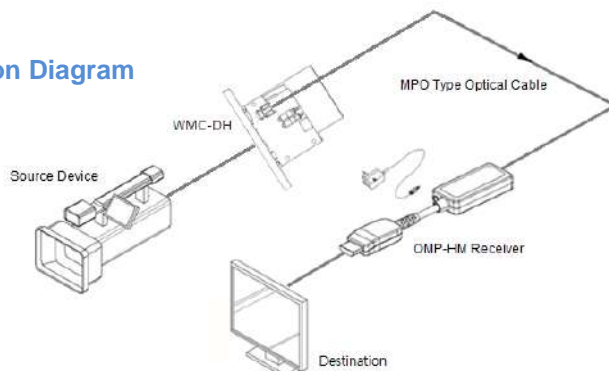
Power Supply

DC +5V to +12V

Power Connector

1 x 3.5mm (0.14") Pitch 3-Position Terminal (JIEKT / JK350R-03P)

Connection Diagram



Package

- WMC-DH
- 3Pin Power Jack (male) 1ea
- User's manual

OPHIT CO., LTD.