

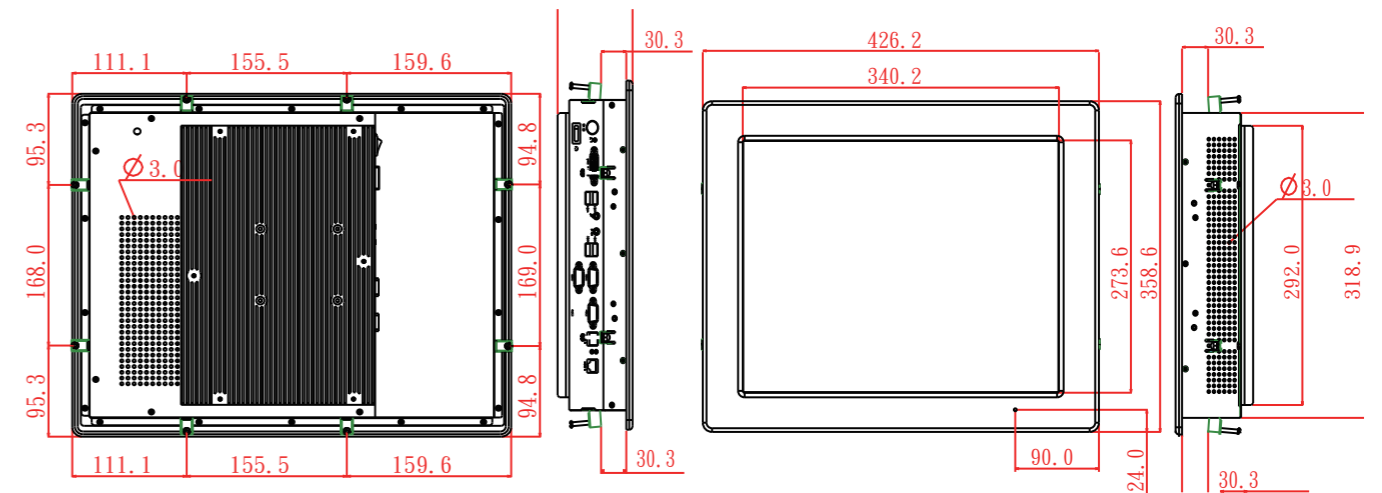


### Key Features

- 17" Intel Core i7/i5 Fanless Industrial Panel PC
- Intel 3rd gen. IVY-bridge Core i7/i5 CPU
- 17" LCD 4:3 1280x1024 350nits
- Resistive touch with front IP66 design
- Front Panel mount housing
- CE, FCC, VCCI Class A passed
- Optional Mini-PCIe WLAN with external antenna



### Outline Drawing



### Main System

<b>CPU</b>	FCBGA1023 3rd Generation Intel Core i7/i5/i3/Celeron processor (17W max.)
<b>Chipset</b>	Intel HM65
<b>Graphics</b>	Intel® integrated HD Graphics 4000
<b>Memory</b>	Two 1600 MHz DDR3 SODIMM socket support dual Channel, non-ECC, up to 16 GB

### LCD Panel

<b>Size</b>	17" 4:3
<b>Brightness</b>	350 nits
<b>Resolution</b>	SXGA (1280 x 1024)
<b>Color numbers</b>	16.2 M (6-bit x 3 + FRC)
<b>Viewing angle</b>	170 (H) / 160 (V)
<b>Contrast</b>	1000:1

### Touch Panel

<b>Type</b>	Resistive touch, 5-wire
<b>Light transmission</b>	80±3%
<b>Hardness</b>	3H
<b>Life time</b>	36 million times

### Storage & Expansion

<b>HDD</b>	2.5" SATA HDD drive bay x 1 + anti-vibration kit, 320 / 500 GB
<b>Expansion slot</b>	Mini PCIe x 2 (52 pin card-edge type)

### I/O & Power & Control Keys

<b>USB</b>	USB 2.0 x 4
<b>COM</b>	DB-9 x 3 {RS232 x 2, RS232/422/485 x 1 (Set by BIOS, RS485 auto flow)}
<b>LAN</b>	RJ-45 x 2, Gigabit
<b>Audio</b>	Line-out, Microphone-in (3.5 mm phone-jack)
<b>DVI output</b>	DVI-I x 1
<b>Power input</b>	DC-in x 1, 12V~28V
<b>Power adaptor</b>	AC 90 ~ 264V / 47 ~ 63 Hz / DC output 12V, 57W
<b>Power consumption</b>	58.99 watts (MAX. Loading without adaptor)
<b>Control keys</b>	Rear bottom: Power on/off, reset

### Mechanical & Environmental

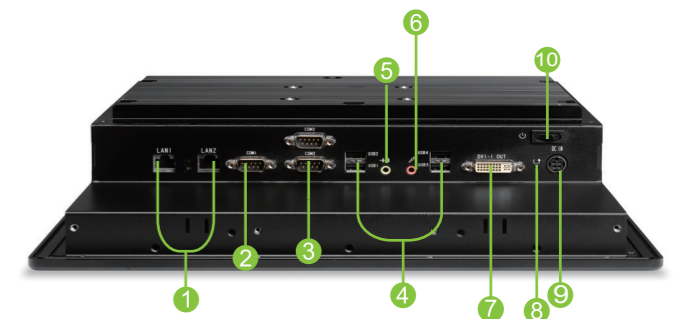
<b>Housing</b>	Front bezel is Aluminum, others are SECC
<b>IP rating</b>	Front IP66
<b>Cooling</b>	Fanless
<b>Dimension</b>	426.2 x 358.6 x 90 mm (W x H x D, panel mount)
<b>Weight (net)</b>	11.5 Kg (approximate, w/o power adaptor)
<b>Temperature</b>	· Operating: 0°C~50°C (w/ air flow) / 0°C~40°C (no air flow) · Storage: -20°C~60°C
<b>Humidity</b>	Operating & storage – 10%~90%, non-condensing
<b>Regulatory</b>	FCC-A, CE (EMC), VCCI, UL

### Options

- Wireless or Wireless + BT kit (2 ant)
- Silver front bezel
- Stainless front bezel
- Change resistive touch to capacitive touch (BKRT)

### Customization

- Open frame housing
- Chassis type housing
- TPM module



- |                 |                 |
|-----------------|-----------------|
| ① LAN x 2       | ⑥ Microphone-in |
| ② RS232/422/485 | ⑦ DVI-I         |
| ③ RS232 x 2     | ⑧ Reset         |
| ④ USB x 4       | ⑨ DC-in         |
| ⑤ Line out      | ⑩ Power on/off  |



Silver front bezel (Option)

### Ordering Information

WLP-7A20-17V BKRT (i5)	R-Touch	Core i5-3317U / 2G RAM / 320G HDD
WLP-7A20-17V BKRT (i7)	R-Touch	Core i7-3517U / 2G RAM / 320G HDD