

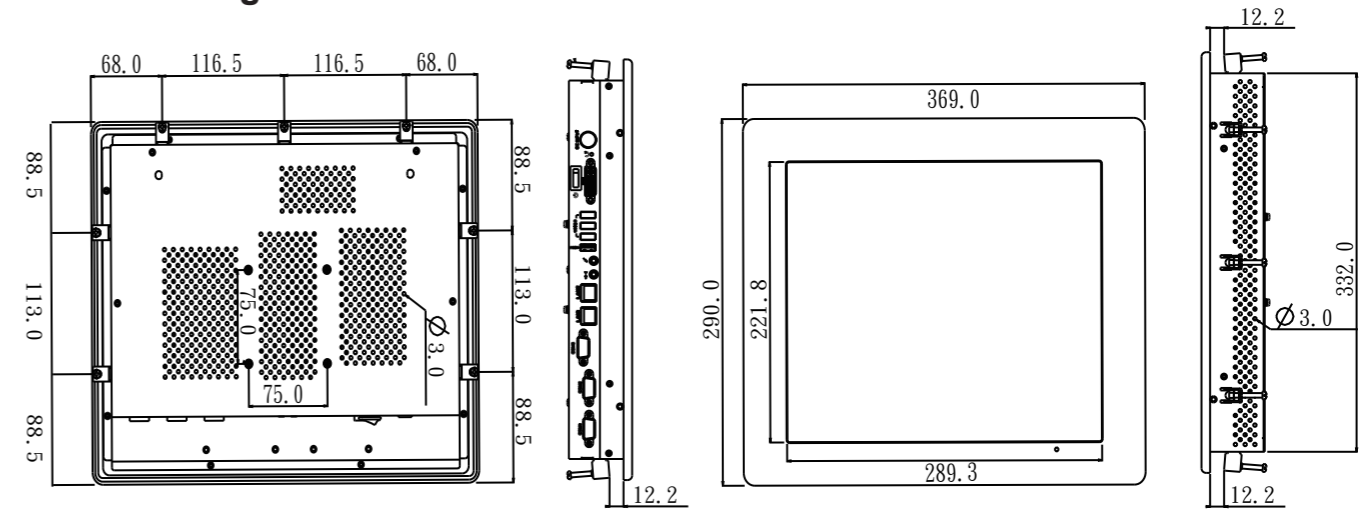


### Key Features

- 12" Intel Baytrail Fanless Industrial Panel PC
- Low power and true fanless thermal solution
- Onboard Intel Celeron J1900 SoC
- 12" LCD with full flat touch screen
- IP66 in front water/dust proof bezel
- Panel mount capability
- CE, FCC, VCCI Class B passed
- Optional Mini-PCIe WLAN with external antenna



### Outline Drawing



### Main System

<b>CPU</b>	Intel® Celeron® J1900 2.0 GHz quad-core processor 10W
<b>Graphics</b>	Intel® HD Graphics
<b>Memory</b>	Two 1333 MHz DDR3L SODIMM socket support dual Channel, non-ECC, up to 8 GB

### I/O & Power & Control Keys

<b>USB</b>	USB 2.0 x 3, USB 3.0 x 1
<b>COM</b>	DB-9 x 3 {RS232 x 2, RS232/422/485 x 1 (Set by BIOS, RS485 auto flow)}
<b>LAN</b>	RJ-45 x 2, Gigabit
<b>Audio</b>	Line-out, Microphone-in (3.5 mm phone-jack)
<b>DVI output</b>	DVI-I x 1
<b>Power input</b>	DC-in x 1, 7V~32V
<b>Power adaptor</b>	External, 57 watts, 90~264V AC in, 12V DC out, 1.2m DC cable
<b>Power consumption</b>	30.702 W ( MAX. Loading without adaptor )
<b>Control keys</b>	Rear bottom: Power on/off, reset

### LCD Panel

<b>Size</b>	12" 4:3
<b>Brightness</b>	450 nits
<b>Resolution</b>	SVGA (800 x 600)
<b>Color numbers</b>	16.2M colors (6bit+ HiFRC); 262K colors selectable
<b>Viewing angle</b>	160 (H) / 140 (V)
<b>Contrast</b>	700:1

### Mechanical & Environmental

<b>Housing</b>	Front bezel is Aluminum, others are SECC
<b>IP rating</b>	Front IP66
<b>Cooling</b>	Fanless
<b>Dimension</b>	369 x 290 x 55 mm (W x H x D, panel mount)
<b>Weight (net)</b>	4.5 Kg (approximate, w/o power adaptor)
<b>Temperature</b>	· Operating: 0°C~50°C (w/ air flow) / 0°C~40°C (no air flow) · Storage: -20°C~65°C
<b>Humidity</b>	Operating & storage – 10%~90%, non-condensing
<b>Regulatory</b>	FCC, CE(EMC), VCCI Class B

### Touch Panel

<b>Technology</b>	5-wire resistive touch (default)	Projected capacitive touch (option)
<b>Type</b>	Front full flat touch panel	Front full flat 2 point touch panel
<b>Transparency</b>	80±5%	90% ± 3%
<b>Hardness</b>	4H	7H
<b>Durability</b>	Knock 35 million times	Knock 100 million times

### Storage & Expansion

<b>HDD</b>	2.5" SATA HDD drive bay x 1 + anti-vibration kit, 320 / 500 GB
<b>Expansion slot</b>	Mini PCIe x 2 (52 pin card-edge type)

### Ordering Information

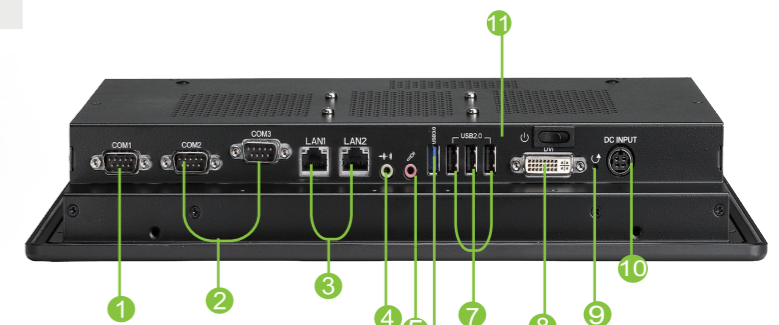
WLP-7B20-12 (BKFT)	R-Touch	Celeron-J1900 / 2G RAM / 320G HDD
WLP-7B20-12 (BKPT)	P-cap Touch	Celeron-J1900 / 2G RAM / 320G HDD

### Options

- Wireless or Wireless + BT kit (2 ant)
- Lock touch screen
- VGA output independent display (Dungle)
- Silver front bezel
- Stainless front bezel
- Change resistive touch to P-cap touch (BKPT)

### Customization

- Sunlight readable optical bonding
- Storage door solution
- LCD Auto dimming
- LCD Super dimming ( Low brightness )



- ① RS232/422/485
- ② RS232 x 2
- ③ LAN x 2
- ④ Line out
- ⑤ Microphone-in
- ⑥ USB 3.0
- ⑦ USB 2.0 x 3
- ⑧ DVI-I output
- ⑨ Reset
- ⑩ DC-in
- ⑪ Power on/off

