

WLP-7B20-15

15" Intel Bay Trail Fanless Industrial Panel PC



Main System

| | |
|--------------------|---|
| CPU | Intel® Celeron® J1900 2.0 GHz quad-core processor (10W max.) |
| Graphic | Intel® HD Graphics |
| Memory | Two 1333 MHz DDR3L SODIMM socket support dual Channel, non-ECC, up to 8 GB |
| Serial ATA | SATA II controller (3.0Gb/sec) Port x 2 |
| USB | External USB 2.0 type A x 3, USB3.0 x 1 Internal Mini-PCIE x2 (Default) or USB 2.0 pin head x 2 (Option) Touch x 1 USB 2.0 (Pin head) x 3 |
| Serial port | External RS232 / RS422 / RS485 x 1 (Set by BIOS, RS485 auto flow), RS232 x 1 Internal RS232 x 1, RS232 (Jumper 5V, 12V) x 1 |
| Audio | Realtek ALC262 Audio Codec, 2+2 watts power amplifier |
| LAN | Intel I210-AT Gigabit Ethernet x 2 |
| WDT | Generates system reset; 256 segments, 0, 1, 2...255 sec/min. |
| BIOS | Brand: AMI Flash ROM size: 64Mb Support RTC wakeup / Wake on LAN / Power on after power failure / PnP / ACPI / RTC |

LCD Panel

| | |
|-------------------------------|--|
| Size | 15" 4:3 |
| Resolution (pixel) | XGA (1024 x 768) |
| Brightness (cd/m2) | 400 nits |
| Contrast | 600:1 |
| Number of Colors | 16.7 M colors (6bit+ HiFRC); 262K colors selectable |
| Viewing angle(U/D/L/R) | 160 (H) / 160 (V) |
| Response time | 8 ms (R + F) |
| Backlight /life time | LED |

Touch Panel

| | |
|-------------------|----------------------|
| Technology | Full Flat Res. touch |
| Interface | USB |
| Hardness | 4H |
| Life time | 35 million times |

Key Features

- 15" Intel Bay Trail Fanless & Slim Panel PC
- Low power and true fanless thermal solution
- Onboard Intel® Celeron® J1900 (2.0 GHz) SoC
- 15" LCD with full flat Res. / P-cap touch screen
- IP66 in front water/dust proof bezel
- Panel mount capability
- Optional lock screen key design
- Optional Mini-PCle WLAN with external antenna

Storage & Expansion

HDD 2.5" SATA HDD drive bay x 1

Expansion slot Mini PCIe x 2

I/O & Control Keys

USB USB 2.0 x 3, USB 3.0 x 1
COM DB-9 x 3
{RS232 x 2, RS232/422/485 x 1(Set by BIOS, RS485 auto flow)}
LAN RJ-45 x 2 , Gigabit
Audio Line-out, Microphone-in (3.5 mm phone-jack)
DVI output DVI-I x 1
Power input DC-in x 1, 7~32V
Control keys Rear bottom: Power on/off, reset

LED indicator Aluminum bezel: System power on: green
HDD accessing: red

Power

Power adaptor AC 90 ~ 264V / 47 ~ 63 Hz / DC output 12V, 57W

Power consumption 29.928 W (MAX. Loading without adapter)

Mechanical & Environmental

Material construction Front bezel is Aluminum, others are SECC

Aluminum bezel Color Black
ID design Panel mount

IP rating Front IP66

Cooling Fanless

Mounting VESA 75 x 75 mm, Panel Mounting
Dimension 398 x 330 x 58 mm (W x H x D, panel mount)

Weight (net) 5.5 Kg (approximate, w/o power adaptor)

Temperature Operating : 0°C~50°C (air flow cooling)
0°C~40°C (natural cooling)
Storage : -20~65°C

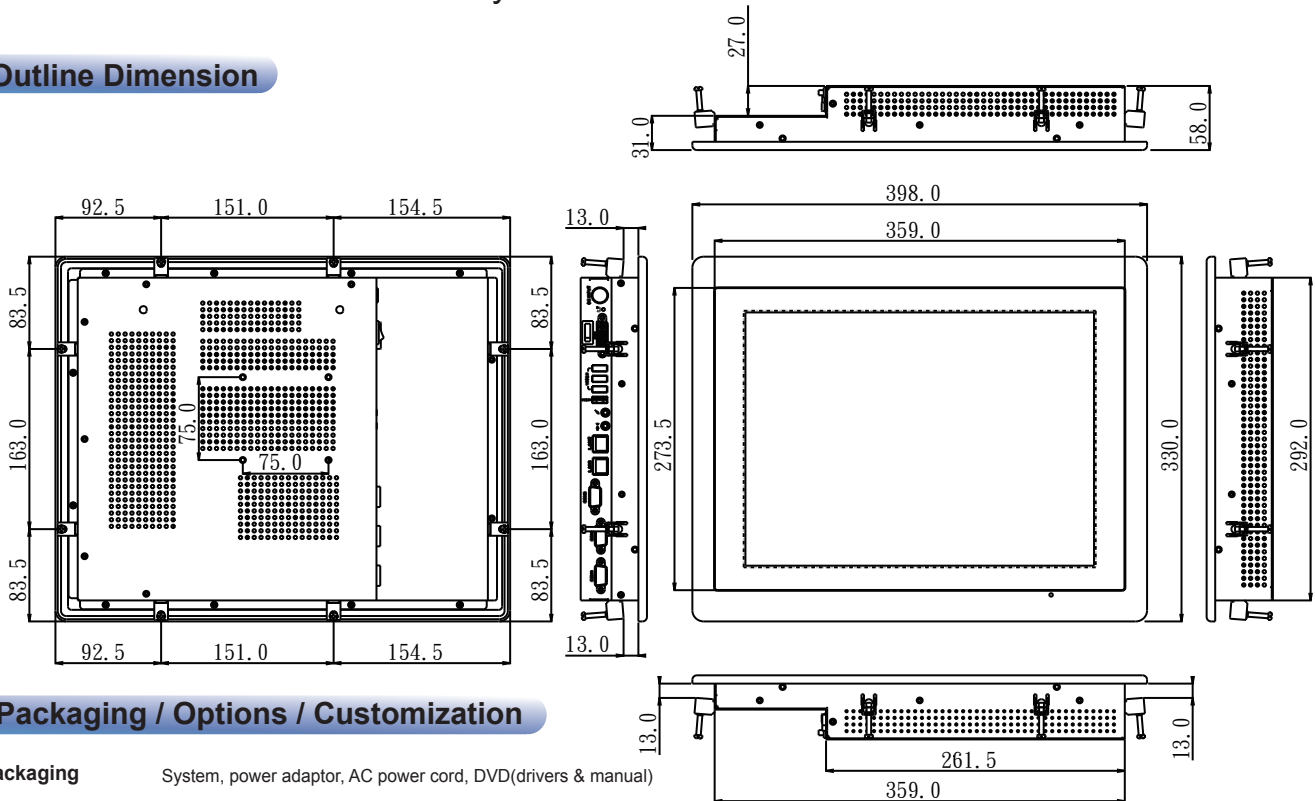
Humidity Operating & storage – 10%~90%, non-condensing

Regulatory FCC, CE(EMC), VCCI Class B

WLP-7B20-15

15" Intel Bay Trail Fanless Industrial Panel PC

Outline Dimension



Packaging / Options / Customization

Packaging System, power adaptor, AC power cord, DVD(drivers & manual)

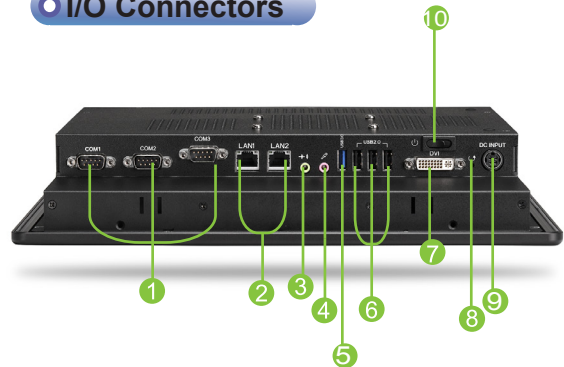
Options

- Wireless or Wireless + BT kit (2 ant)
- Full flat P-cap touch (Front IP69K)
- Lock touch screen
- SSD

Customization

- 1000 nits high brightness LCD
- Anti UV and 7H coating
- Sunlight readable optical bonding
- E3845 QC 1.91 GHz 10W (For Wide Temperature)
- Storage door solution
- Silver front bezel
- Stainless front bezel
- LCD Auto dimming
- LCD Super dimming (Low brightness)

I/O Connectors



- | | |
|-----------------|----------------|
| ① COM x 3 | ⑥ USB 2.0 x 3 |
| ② LAN x 2 | ⑦ DVI-I output |
| ③ Line out | ⑧ Reset |
| ④ Microphone-in | ⑨ DC-in |
| ⑤ USB 3.0 | ⑩ Power on/off |

Product Photo



Ordering Information

- CPU: Intel Celeron J1900 2.0 GHz
- Memory: 2G / 4G / 8G
- HDD: 320G / 500G
- WLAN + Bluetooth: None / x 1
- WLAN: None / x 1
- Touch: Resistive / Projected capacitive touch



Web: www.wincomm.com.tw

Contact: sales_support@wincomm.com.tw

Wincomm Corporation

3F, NO. 14, Prosperity Road II, Science-Based Industrial Park,
Hsinchu, Taiwan 30078, R.O.C

Tel: +886 3 578 0000 Fax: +886 3 578 0295