

NEW

Key Features

- Intel Skylake i7/i5/i3/Pentium fanless Medical Panel PC
- 21.5" 1920x1080 LED Panel
- Medical 60601-1 4th edition certification
- EN 60601-1 certification
- Anti-bacteria (MRSA) plastic housing
- Friendly design of hot-key function
- Support Intel Vpro technology by CPU
- Optional PCI-E x 4 expansion slot
- Optional 4KV LAN/COM/USB isolated I/O
- Optional built-in battery pack

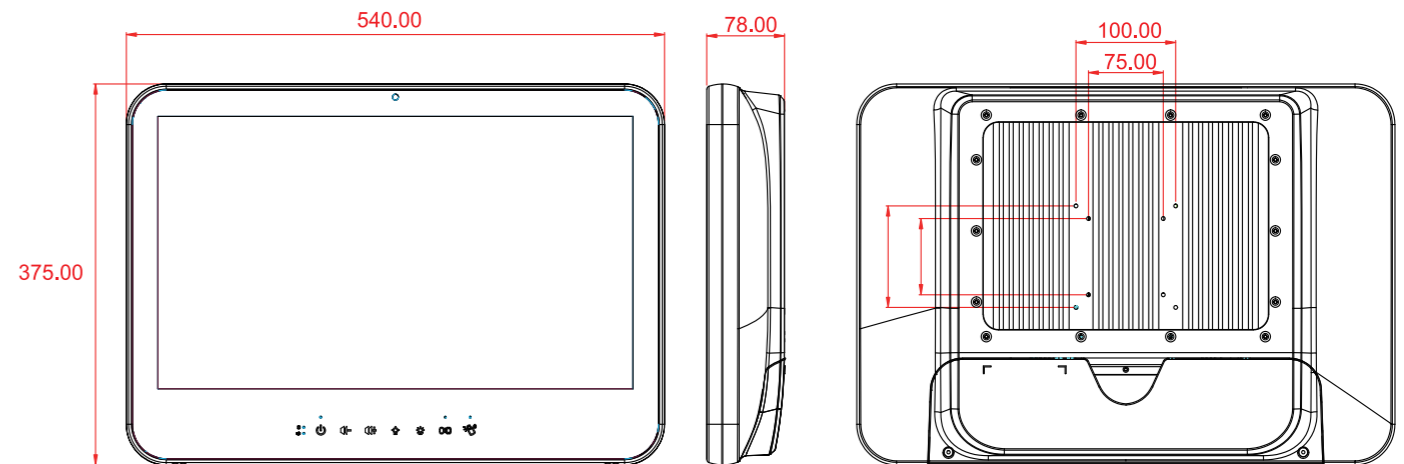


Skylake

Isolation

Expansion

Outline Drawing



Main System

CPU	FCBGA1356 6th generation Intel® Core i7/i5/i3 processor (15W max.)
Chipset	SoC
VGA	Intel® integrated HD Graphics 520 by CPU
Memory	Two 2133 MHz DDR4 SODIMM socket support dual Channel, non-ECC, up to 32GB
Speaker	1.5 W x 2

LCD Panel

Size	21.5" wide 16:9
Resolution	1920 x 1080 (Full HD)
Color numbers	16.7M colors (RGB 6-bit + Hi FRC)
Viewing angle	170 (H) / 160 (V)
Contrast	1000:1 (Typ)
Brightness	250 nits

Touch Panel

Type	Full flat projective capacitive touch panel
Light transmission	90% ± 3%
Hardness	7H pencil, pressure 750g/45°
Life time	100M times

* OS support (Multi point) Win 7 pro, Win 8, Win 8.1 industrial, Win 10

Storage & Expansion

HDD	2.5" SATA HDD drive bay x 1
Expansion slot	• PCI-E x 4 expansion slot x 1 (25W max, can't co-exist with isolated module) [100mm (W) x 220mm (D) x 14mm (H)] • Mini PCIe x 2 (One full size and one half size, full size support mSATA)

Ordering Information

WMP-22C (i5)	21.5" FANLESS	Core i5-6200U / DDR4 4G RAM / 500G HDD / Full flat P.cap touch
WMP-22C (i7)	21.5" FANLESS	Core i7-6500U / DDR4 4G RAM / 500G HDD / Full flat P.cap touch

I/O & Power & Control Keys

USB	USB 3.0 x 4
COM	RS232 x 1, RS232/422/485 x 1 (RS-485 auto flow support, Jumpless by BIOS)
LAN	RJ-45 x 2, Gigabit
Video-out	DP x 2
Audio	Line-out, Microphone-in (3.5 mm phone-jack)
Power input	DC-in x 1, DC 7~32V input (9V~28V with battery pack)
Power adaptor	AC input 90 ~ 264V / 47~63 Hz / DC output 12V, 100W
Power consumption	TBD W (MAX. loading without adapter)
Control keys	Power on/off, Brightness, Audio volume, Backlight on/off, Clean me

Mechanical & Environmental

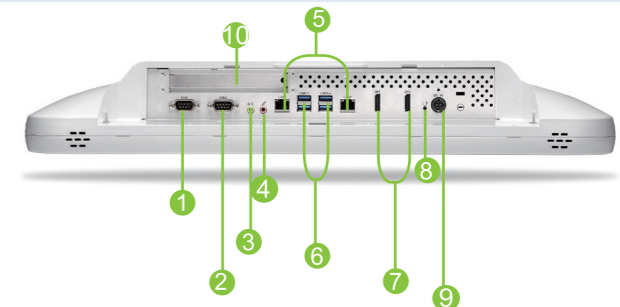
Housing	• Front: Full flat design / Touch (standard), Glass (Customization) • Rear: Plastic + I/O cover w/ antibacterial treatment • Anti-bacteria (MRSA)
Cooling	Fanless
IP rating	IP65 – front side
Dimension	540 x 375 x 78 mm (W x H x D, w/o stand)
Weight (net)	7.0Kg (approximate, w/o power adaptor)
Temperature	Operating : 0°C~35°C (chamber) Storage : -20°C~60°C
Humidity	Operating & storage – 10%~90%, non-condensing
Regulatory	• FCC/CE/VCCI Class B • cULus Mark/UL60601-1 • EN60601-1 approved / ISO 14971 / IEC-62133 • Energy star 6.1 compliance

Options

802.11 a/b/g/n WLAN module (Mini PCIe)
802.11 a/b/g/n WLAN + Bluetooth 4.0 module (Mini PCIe)
3.2M pixel webcam module (USB)
Battery pack (100W max.) Support add-on card 18W max.
PCI-E x 4 riser card
Equipotential terminal pin
Microphone on I/O cover
WMP series stand, VESA 75/100
AG film
mSATA module
Power adaptor w/ 2.4m or 3.6m DC cable
4KV Isolation Card x 1 (Isolation COM x 2, Isolation LAN x 1, Isolation USB x 1)
Power plug holder
TPM v1.2 module

Customization

Resistive Touch
Tempered glass
USB 5,6 or COM 3, 4
RFID (13.56Hz)
Smart card reader
MSR card reader
1D/2D Barcode scanner
FHD Capture card



- ① RS232/422/485
- ② RS232
- ③ Line-out
- ④ Microphone-in
- ⑤ LAN x 2
- ⑥ USB3.0 x 4
- ⑦ DP x 2
- ⑧ Reset
- ⑨ DC-in
- ⑩ PCI-E/PCI expansion

