



### Key Features

**NEW**

- Highest level of medical safety protection EMC 4.0/ Safety 3.1 certification ready
- Integrated hot-swappable batteries, 24/7 run-time
- Support Intel vPro technology by CPU
- M.2 type SATA SSD
- Support remote monitor / control / device update sw
- FHD capture card as option

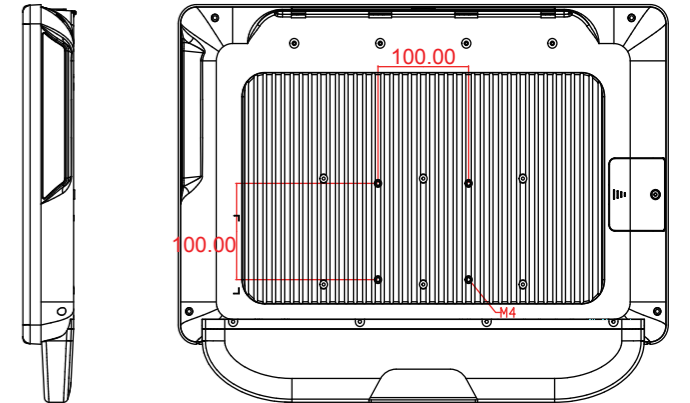
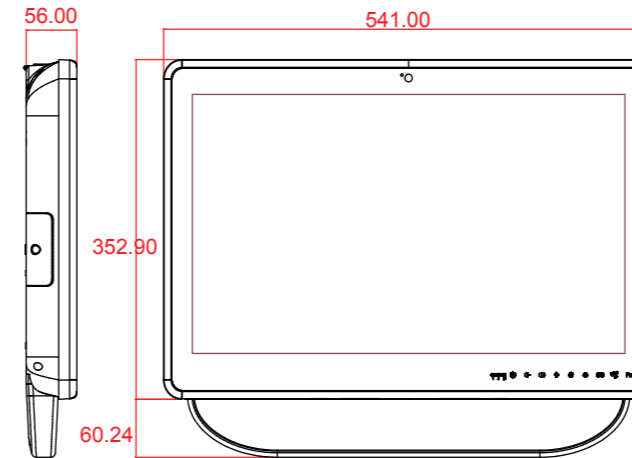


Kabylake

Isolation

Anti-bacteria

### Outline Drawing



### Main System

<b>CPU</b>	Kabylake 7th generation Intel® Core i7/i5/i3/ Celeron processor (15W max.)
<b>Chipset</b>	SoC
<b>VGA</b>	Intel® integrated HD Graphics 620 by CPU
<b>Memory</b>	Two 2133 MHz DDR4 SODIMM socket support dual Channel, non-ECC, up to 32GB
<b>Speaker</b>	2 W x 2

### LCD Panel

<b>Size</b>	Size: 21.5", wide 16:9, LED Backlight
<b>Resolution</b>	1920 x 1080 (Full HD)
<b>Color numbers</b>	16.7M colors (8 bits)
<b>Viewing angle</b>	178 (H) / 178 (V), MVA type
<b>Contrast</b>	3000:1 (Typ)
<b>Brightness</b>	250 nits

### Touch Panel

<b>Type</b>	Full flat projective capacitive touch panel
-------------	---

<b>Light transmission</b>	90% ± 3%
<b>Hardness</b>	7H pencil, pressure 750g/45°
<b>Life time</b>	100M times

\* OS support (Multi point) : Win 10

### Storage & Expansion

<b>SSD</b>	M2. Type SATA SSD 2260 interface x 1, up to 512G
<b>2nd storage</b>	Optional 2.5" SATA HDD drive bay x 1 with doggy door, up to 1TB
<b>Expansion slot</b>	<ul style="list-style-type: none"> <li>• PCI-E x 4 expansion slot x 1 (25W max.)</li> <li>Card size: 112.5 mm (W) x 190mm (D) x 25mm (H) (without side USB ports)</li> <li>• Mini PCIe x 1 (52 pin card-edge type)</li> <li>• M.2 Type E Key x 1</li> </ul>

### I/O & Power & Control Keys

<b>USB</b>	USB 3.0 x 4
<b>COM</b>	RS232 x 1, RS232/422/485 x 1 (RS-485 auto flow support, Jumpless by BIOS) RI with 5V/12V
<b>LAN</b>	RJ-45 x 2, Gigabit
<b>Video-out</b>	DP x 2
<b>Audio</b>	Line-out, Microphone-in (3.5 mm phone-jack)
<b>Power input</b>	DC-in x 1, DC 14~28V input (14V~28V with battery pack)
<b>Power adaptor</b>	AC input 90 ~ 264V / 47~63 Hz / DC output 18V, 100W
<b>Power consumption</b>	93.8 W ( MAX. loading without adapter )
<b>Control keys</b>	Power, audio volume, brightness, read light, display backlight, Clean me, programmable button

### Mechanical & Environmental

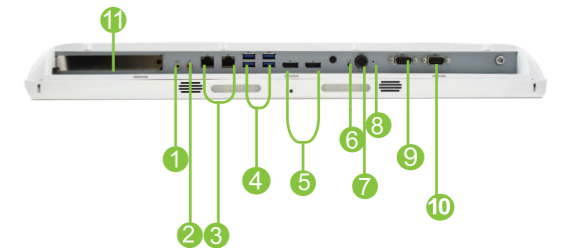
<b>Housing</b>	<ul style="list-style-type: none"> <li>• Front: Full flat design / Touch (standard),</li> <li>• Rear: Plastic + I/O cover w/ antibacterial treatment</li> <li>• Anti-bacteria (MRSA)</li> </ul>
<b>Cooling</b>	Fanless
<b>IP rating</b>	IP65 – front side
<b>Dimension</b>	541 x 352.9 x 56 mm (W x H x D, w/o stand)
<b>Weight (net)</b>	7.0Kg (approximate, w/o power adaptor)
<b>Temperature</b>	Operating : 0°C~35°C (chamber) Storage : -20°C~60°C
<b>Humidity</b>	Operating & storage – 10%~90%, non-condensing
<b>Regulatory</b>	<ul style="list-style-type: none"> <li>• FCC/CE/VCCI Class B</li> <li>• cULus Mark/UL60601-1</li> <li>• EN60601-1 approved / ISO 14971 / IEC-62133</li> <li>• Energy star 6.1 compliance</li> </ul>

### Options

Wireless or Wireless + BT kit
5M pixel webcam module (USB)
2.5"HDD or SSD module
Integrated hot-swappable batteries 81Wh x 3 (100W output max.)
Charger bank
Cable clean IO cover
Equipotential terminal pin
RFID (13.56MHz)
AG film
TPM v 2.0 module
FHD capture card
Smart card reader
Power adaptor w/ 2.4m or 3.6m DC cable
Power plug holder
WMP series stand, VESA 75/100

### Customization

Tempered glass
5V1A power Jack
USB 3.1 gen2 (USB 5,6)
<b>4KV Isolation:</b> ISO COM x 2 + ISO LAN x 1 + ISO USB2.0 x 1 (need to take original COM x 2 and LAN x1 ports' space )



- ① Line-out
- ② Microphone-in
- ③ LAN x 2
- ④ USB3.0 x 4
- ⑤ DP x 2
- ⑥ Reset
- ⑦ DC-in
- ⑧ Equipotential terminal pin
- ⑨ RS232/422/485
- ⑩ RS232
- ⑪ PCI-E expansion

### Ordering Information

WMP-22G (i5)	21.5" FANLESS	Core i5 / DDR4 4G RAM / 128G SSD / Full flat P.cap touch
WMP-22G (i7)	21.5" FANLESS	Core i7 / DDR4 4G RAM / 128G SSD / Full flat P.cap touch
WMP-22G (i3)	21.5" FANLESS	Core i3 / DDR4 4G RAM / 128G SSD / Full flat P.cap touch
WMP-22G (Celeron)	21.5" FANLESS	Celeron / DDR4 4G RAM / 128G SSD / Full flat P.cap touch

