

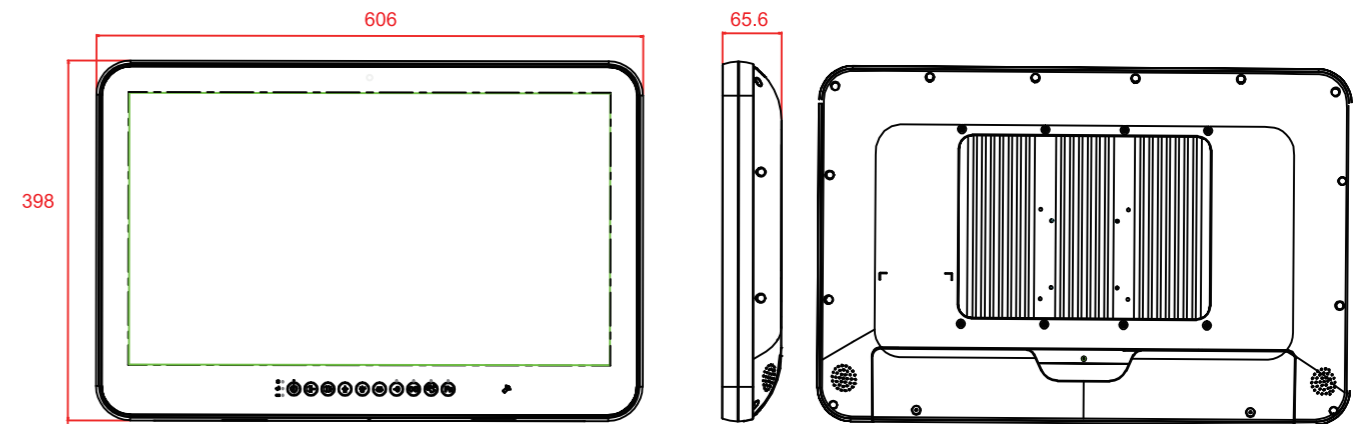
**NEW**

### Key Features

- Intel Skylake i7/i5/i3/Pentium fanless Medical Panel PC
- 23.8" FHD 1920x1080 MVA LED panel
- P-CAP multi-touch with 10 fingers
- Medical UL60601-1 4th edition certification
- EN 60601-1 certification
- Anti-bacteria (MRSA) plastic housing
- Friendly design of front function hot-keys
- Support Intel Vpro technology by CPU
- Optional PCI-E/PCI expansion slot
- Optional 4KV LAN/COM/USB isolated I/O
- Optional built-in battery pack
- Customized DICOM solution by project



### Outline Drawing



### Main System

<b>CPU</b>	LGA1151 package 6th generation Intel® Core i7/i5/i3/Pentium processor
<b>Chipset</b>	Intel® Q170 Chipset (Intel® GL82Q170 PCH)
<b>VGA</b>	Intel® integrated HD Graphics 530
<b>Memory</b>	Two 2133 MHz DDR4 SODIMM socket support dual Channel, non-ECC, up to 32 GB
<b>Speaker</b>	5W x2

### LCD Panel

<b>Size</b>	23.8" wide 16:9
<b>Resolution</b>	Full HD 1920 x 1080
<b>Color numbers</b>	16.7M colors (true 8-bit)
<b>Viewing angle</b>	178 (H) / 178 (V)
<b>Contrast</b>	3000:1 (Typ)
<b>Brightness</b>	250 nits

### Touch Panel

<b>Type</b>	Full flat projective capacitive touch panel (10 fingers)
<b>Light transmission</b>	90% ± 3%
<b>Hardness</b>	7H pencil, pressure 750g/45°
<b>Life time</b>	100M times

\* OS support (Multi point) : Win 7 pro, Win 8, Win 8.1 industrial, Win 10

### Storage & Expansion

<b>HDD</b>	2.5" SATA HDD drive bay x 1, mSATA via Mini PCI-E x 1
<b>Expansion slot</b>	<ul style="list-style-type: none"> <li>• PCI-E x 16 expansion slot x 1</li> <li>• Card size: 114mm (W) x 190mm (D) x 25mm (H)</li> <li>• Mini PCIe x 1 (One full size support mSATA)</li> <li>• M.2 Type E x 1</li> </ul>

### I/O & Power & Control Keys

<b>USB</b>	USB 3.1 gen II x 2, USB 3.0 x 2
<b>COM</b>	RS232 x 2
<b>LAN</b>	RJ-45 x 1, Gigabit
<b>Video-out</b>	DP x 2
<b>Audio</b>	Line-out, Microphone-in (3.5 mm phone-jack)
<b>Power input</b>	DC-in x 1, DC 9~32V input (9V~28V with battery pack)
<b>Power adaptor</b>	AC input 90 ~ 264V / 47 ~ 63 Hz / DC output 24V , 180W
<b>Power consumption</b>	116 W ( MAX. loading without adapter )
<b>Control keys</b>	Power, brightness, audio volume, read light, video input, display backlight, Clean me, programmable button

### Mechanical & Environmental

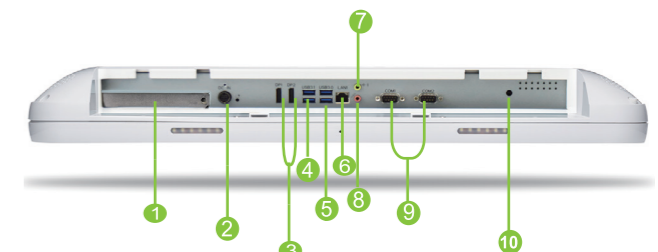
<b>Housing</b>	<ul style="list-style-type: none"> <li>• Front: Full flat design / Touch (standard), Glass (Customization)</li> <li>• Rear: Plastic + I/O cover w/ antibacterial treatment</li> <li>• Anti-bacteria (MRSA)</li> </ul>
<b>IP rating</b>	IP65 – front side, IPx1 whole system
<b>Cooling</b>	Fanless
<b>Dimension</b>	606 (H) x 398 (V) x 65.6 (T) (mm x mm x mm)
<b>Weight (net)</b>	9 kg (w/o power adapter)
<b>Temperature</b>	Operating : 0°C~35°C (chamber) Storage : -20°C~60°C
<b>Humidity</b>	Operating & storage – 10%~90%, non-condensing
<b>Regulatory</b>	<ul style="list-style-type: none"> <li>• FCC/CE/VCCI Class B</li> <li>• cULus Mark/UL60601-1</li> <li>• EN60601-1 approved / ISO 14971 / IEC-62133</li> <li>• Energy star 6.1 compliance</li> </ul>

### Options

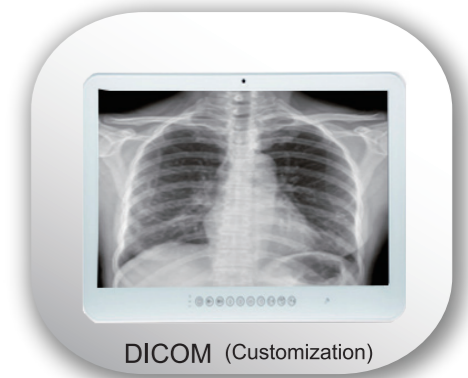
802.11 ac/b/g/n WLAN + Bluetooth 4.1 module (M.2)
Auto focus 5M pixel webcam module (USB)
Battery pack (100 max. PCI-E support, can't use when booting/S3 wake up)
PCI-E x16
Power adaptor w/ 2.4m or 3.6m DC cable
Anti-bacteria desktop stand
Equipotential terminal pin
TPM v1.2 module
Smart card reader (USB) / or DVD drive / or 2nd HDD
AG Film
mSATA module
FHD Capture card
Power plug holder
RFID reader (13.56Hz)
<b>4KV Isolation:</b> ISO COM x 2 + ISO LAN x 1 + ISO USB2.0 x 1 (need to take original COM x 2 ports' space)
<b>Option other I/O:</b> USB3.1 x 2 + USB3.0 x 2 + USB2.0 x 2 + COM x 2 + LAN x 2+ DP x 2 (Default: USB3.1 x 2 + USB3.0 x 2 + COM x 2 + LAN x 1 + DP x 2)

### Customization

PCI riser card (BIOS change under Win 10)
Tempered glass
Video input DVI-D x 1 Via cable (need to modify IO BKT)
DICOM module



- ① PCI-E/PCI expansion
- ② DC-in
- ③ DP Port x 2 (Output)
- ④ USB 3.1 x 2
- ⑤ USB 3.0 x 2
- ⑥ LAN x 1
- ⑦ Microphone-in
- ⑧ Line-out
- ⑨ RS232
- ⑩ Reset



DICOM (Customization)

### Ordering Information

WMP-24C (i5)	24" FANLESS	Core i5-6500TE / DDR4 4G RAM / 500G HDD / Full flat P.cap touch
WMP-24C (i5)	24" FANLESS	Core i5-6500TE / DDR4 4G RAM / 500G HDD / Full flat P.cap touch / isolated USB/COM/LAN