

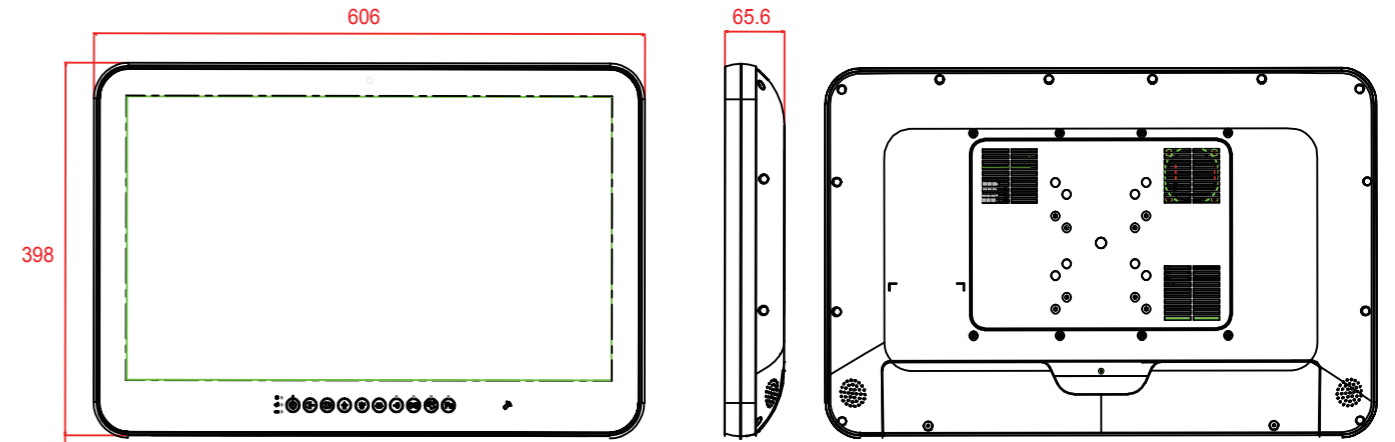
NEW

Key Features

- Intel skylake core i5/i7 Medical Panel PC
- 23.8" FHD 1920x1080 MVA LED panel
- P-CAP multi-touch with 10 fingers
- Medical UL60601-1 4th edition certification
- EN 60601-1 certification
- Support Intel Vpro technology by CPU
- Anti-bacteria (MRSA) plastic housing
- Optional 4KV LAN/COM/USB isolated I/O
- Optional built-in battery pack
- Customized DICOM solution by project
- 4K2K UHD display customized by project



Outline Drawing



Main System

CPU	LGA1151 package 6th generation Intel® Core i7/i5/i3 processor (35W max.)
Chipset	Intel® Q170 Chipset (Intel® GL82Q170 PCH)
VGA	Intel® integrated HD Graphics 530 (eDP 23.8" UHD 4K2K)
Memory	Two 2133 MHz DDR4 SODIMM socket support dual Channel, non-ECC, up to 16GB
Speaker	5W x2

LCD Panel

Size	23.8" wide 16:9
Resolution	Full HD 1920 x 1080
Color numbers	16.7M colors (true 8-bit)
Viewing angle	178 (H) / 178 (V)
Contrast	3000:1 (Typ)
Brightness	250 nits

Touch Panel

Type	Full flat projective capacitive touch panel (10 fingers)
Light transmission	90% ± 3%
Hardness	7H pencil, pressure 750g/45°
Life time	100M times

* OS support (Multi point) Win 7 pro, Win 8, Win 8.1 industrial, Win 10

Storage & Expansion

HDD	2.5" SATA HDD drive bay x 1, mSATA via Mini PCI-E x 1
2nd storage	DVD drive / or 2nd HDD / or Card reader x 1 (Different configuration)
Expansion slot	• PCI-E x 16 expansion slot x 1 (60W max. For eDP model, 30W max.) • Card size: 114mm (W) x 190mm (D) x 25mm (H) • Mini PCIe x 1 (One full size support mSATA) • M.2 Type E x 1

Ordering Information

WMP-24F (i5)	24" FAN	Core i5-6500TE / DDR4 4G RAM / 500G HDD / Full flat P.cap touch
WMP-24F (i5)	24" FAN	Core i5-6500TE / DDR4 4G RAM / 500G HDD / Full flat P.cap touch / isolated USB/COM/LAN

I/O & Power & Control Keys

USB	USB 3.1 gen II x 2, USB 3.0 x 2
COM	RS232 x 2
LAN	RJ-45 x 1, Gigabit
Video-out	DP x 2
Audio	Line-out, Microphone-in (3.5 mm phone-jack)
Power input	DC-in x 1, DC 9~32V input (9V~28V with battery pack)
Power adaptor	AC input 90 ~ 264V / 47 ~ 63 Hz / DC output 24V, 180W
Power consumption	151 W (MAX. loading without adapter)
Control keys	Power, brightness, audio volume, read light, video input, display backlight, Clean me, programmable button

Mechanical & Environmental

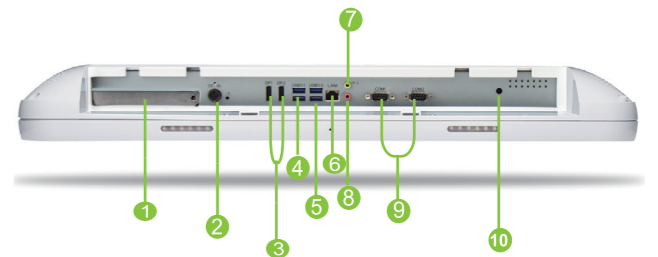
Housing	• Front: Full flat design / Touch (standard), Glass (Customization) • Rear: Plastic + I/O cover w/ antibacterial treatment • Anti-bacteria (MRSA)
IP rating	IP65 – front side, IPx1 whole system
Cooling	Fan
Dimension	606 (H) x 398 (V) x 65.6 (T) (mm x mm x mm)
Weight (net)	8.5 kg (w/o power adapter)
Temperature	Operating : 0°C~35°C (chamber) Storage : -20°C~60°C
Humidity	Operating & storage – 10%~90%, non-condensing
Regulatory	• FCC/CE/VCCI Class B • cULus Mark/UL60601-1 • EN60601-1 approved / ISO 14971 / IEC-62133 • Energy star 6.1 compliance

Options

802.11 ac/b/g/n WLAN + Bluetooth 4.1 module (M.2)
Auto focus 5M pixel webcam module (USB)
Battery pack (PCI-E support 25W as typical, can't use when booting/S3 wake up)
PCI-E x16
Power adaptor w/ 2.4m or 3.6m DC cable
Anti-bacteria desktop stand
Equipotential terminal pin
TPM v1.2 module
Smart card reader (USB) / or DVD drive / or 2nd HDD
AG Film
mSATA module
Power plug holder
RFID reader (13.56Hz)
FHD Capture card
4KV Isolation: ISO COM x 2 + ISO LAN x 1 + ISO USB2.0 x 1 (need to take original COM x 2 ports' space)
Option other I/O: USB3.1 x 2 + USB3.0 x 2 + USB2.0 x 2 + COM x 2 + LAN x 2 + DP x 2 (Default: USB3.1 x 2 + USB3.0 x 2 + COM x 2 + LAN x 1 + DP x 2)

Customization

PCI riser card (BIOS change)
Tempered glass
Video input DVI-D x 1 Via cable (need to modify IO BKT)
DICOM module
4K2K UHD display by different configuration



- ① PCI-E/PCI expansion
- ② DC-in
- ③ DP Port x 2 (Output)
- ④ USB 3.1 x 2
- ⑤ USB 3.0 x 2
- ⑥ LAN x 1
- ⑦ Microphone-in
- ⑧ Line-out
- ⑨ RS232
- ⑩ Reset



4K2K UHD (Customization)