

Features



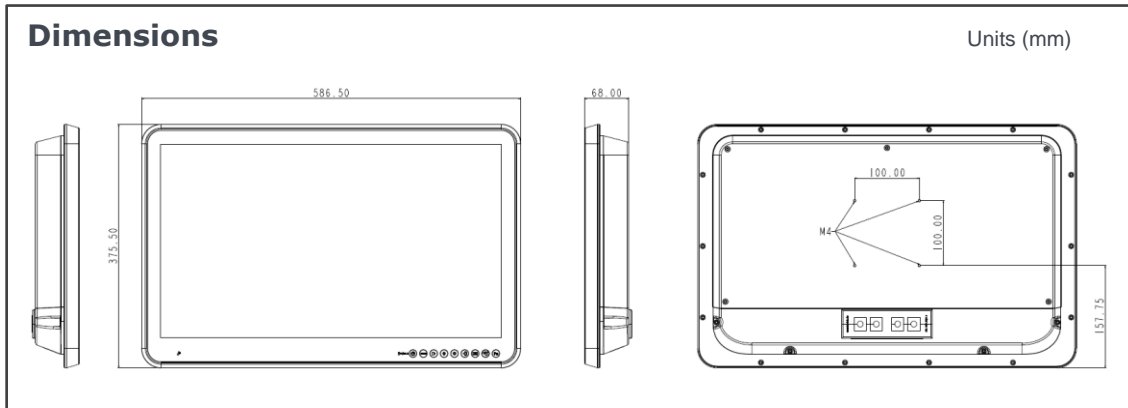
- Intel® Comet Lake Core i CPU
- Power Adapter Inside
- Anti-bacteria Aluminum Housing
- 23.8" FHD AHVA (IPS) Diagnostic Panel
- Optional Optical Bonding/AG Film
- Optional Full HD Capture Card
- LAN/COM 4KV Isolated Module
- Optional DICOM Part 14
- Support Video-In with Color Adjustment
- Support DP x 1, HDMI x 1 for Extended Display Output
- Support Windows 11 & fTPM

Specification

Model	WMP-24M-PIS IPOA (STD)	WMP-24M-PIS IPOB (ISO)
Main System		
CPU / Chipset	LGA1200 package 10 th gen Intel® Core i7/i5/i3/Pentium/Celeron processor (35W max.) Intel® Q470E Chipset (Intel® PCH)	
Graphic	Intel® integrated UHD Graphics by CPU	
RAM	2 x 260-pin SO-DIMM, Dual Channel DDR4 2933 / 2666 / 2400 MHz, up to 64GB	
OS Support	Optional Win 10 IoT Enterprise LTSC 64 bit, Windows 11 IoT Enterprise AC 64 bit	
Storage	1 x M.2 (M Key, 2280) with NVMe PCIe x4 & SATA3 for SSD, 1 x 2.5" SATA3 HDD/SSD	
Expansion	1 x PCI-E x16 (20W Max.) , 1 x M.2 E key 2230 1 x M.2 (B/M Key, 2242/2260/2280) with PCIe x1	
Display Size	23.8" 16:9	
Display (AHVA)	1920 x 1080 (Full HD), 16.7M colors, 178(H) / 178(V), 400 nits (Typ. Center point), CR:1000:1 (Typ)	
Touch Screen	Full flat projective capacitive touch panel / Light Transmission: 85% ± 3% / Hardness: 6H pencil, pressure 750g/45° / Life: 100M times	
I.O. Ports	STD	ISO
USB	4 x USB 3.2 gen 2	4 x USB 3.2 gen 2
COM	1 x RS232, 1 x RS232/RS422/RS485	1 x ISO RS232/422/485
LAN	1 x RJ45 1Gbps Intel® I219LM (AMT/Vpro) 1 x RJ45 2.5Gbps Intel® I225V	1 x RJ45 1Gbps Intel® I219LM (AMT/Vpro) 1 x RJ45 2.5Gbps Intel® I225V , 1 x ISO RJ45 1Gbps
Audio	3.5mm phone jack connector * 2 (Line-out, Mic-In)	
Video output	1 x DP 1.2 / DP++, 1 x HDMI 1.4a	
Video-In	1 x HDMI-in	
Control Hot Key (L to R)	Battery LED Indicator; Power; Menu/Exit; Brightness; Video-In LCD On/Off; Clean Me; Programmable Function	
Mechanical and Environmental		
Cooling	Fanless	
Power Adapter	100-240VAC, 47~63HZ 250W (Internal Medical Grade PSU)	
Temperature	Operating Temperature: 0~40°C / Storage Temperature: -20~60°C	
Humidity	Operating & Storage: 10 ~ 90%, non-condensing	
IP Rating	IP65 at front side, Full IP65 w/optional I.O. cover / Touch (standard)/ Glass(customized);	
Housing	Rear: Aluminum Alloy Body / White (Touch)	
Dimensions (Net)	580mm (H) x 350mm (V) x 59mm (T)	
Weights (Net)	11.2 kg (w/o power adapter/battery pack)	
Mounting	VESA 100 x 100	
Certification	FCC (part 18 Class B) / CE (EN 60601-1-2 :2015 ver. 4.0) / VCCI (2016-11, class B) UL(ES60601-1:2012 (V3.1) / cJUL (C22.2 No. 60601-1:2014 V3.1) MDR (2017/745)	

WMP-24M-PIS

Medical OR Panel PC Power Inside



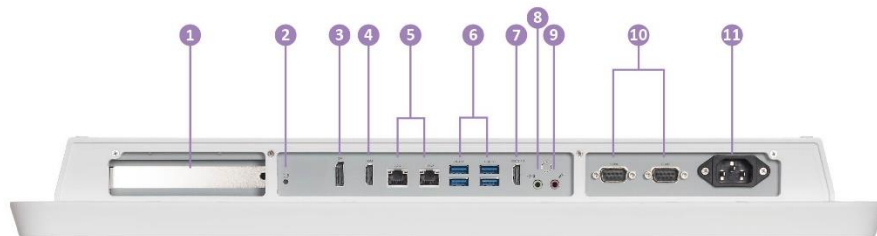
Major Options

Accessory	<ul style="list-style-type: none"> ① Cable clean IO cover ② WMP series stand, VESA 100
Options	<ul style="list-style-type: none"> ① 802.11 ac/a/b/g/n WLAN + Bluetooth module (optional order configuration) ② 802.11 ax/a/b/g/n WLAN + Bluetooth module (Wifi-6) (optional order configuration) ③ 2.5" SSD module ④ M.2 type 2280 module ⑤ RFID (13.56MHz) ⑥ TPM 2.0 module or fTPM ⑦ Full HD capture card or 4K SC710N1 12G SDI capture card ⑧ Equipotential terminal pin ⑨ AG film ⑩ DICOM part 14 compliance (optional order configuration) ⑪ Windows 10 IoT Enterprise LTSC 64 bit / Windows 11 IoT Enterprise AC 64 bit
Customization	<ul style="list-style-type: none"> ① Tempered glass ② Touch with AG coating <ul style="list-style-type: none"> - anti-reflective, - anti-microbial, - anti-glare, - anti-fingerprint ③ Auto focus 5M pixel webcam module

Order Information

Item	Configuration
WMP-24M-PIS-IPOA-i5	Core i5-10500TE/2.20GHz/DDR4 4G RAM/M.2 128G SSD/Full flat P.cap touch
WMP-24M-PIS-IPOA-i7	Core i7-10700TE/1.80GHz/DDR4 4G RAM/M.2 128G SSD/Full flat P.cap touch
WMP-24M-PIS-IPOB-i5	Core i5-10500TE/2.20GHz/ DDR4 4G RAM/M.2 128G SSD/Full flat P.cap touch, ISO

I/O ports (STD)



- | | | |
|-------------------|---------------|------------|
| ① PCI-E Expansion | ⑤ 2 x LAN | ⑨ Micro-in |
| ② Reset | ⑥ 4 x USB 3.0 | ⑩ 2 x COM |
| ③ DP | ⑦ Video-in | ⑪ AC-in |
| ④ HDMI | ⑧ Line-out | |

(