

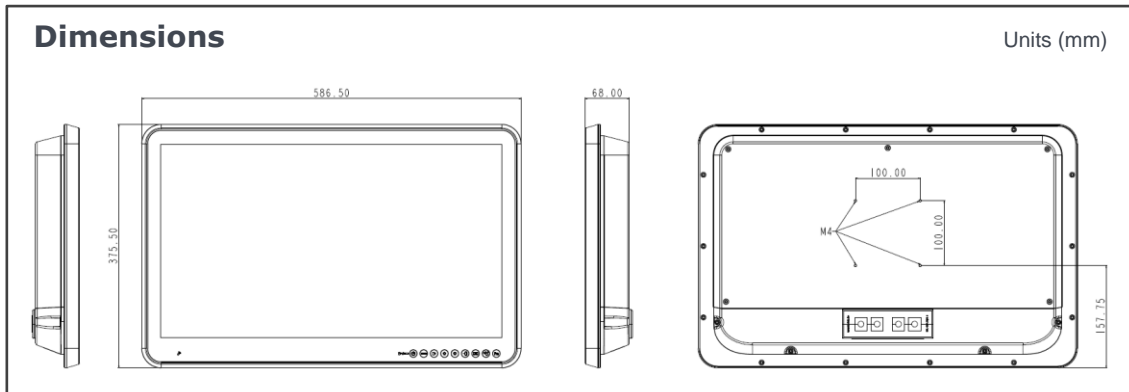


Features

- Intel® Comet Lake Core i CPU
- Anti-bacteria Aluminum Housing
- 23.8" FHD MVA Diagnostic Panel
- Optional Optical Bonding/AG Film
- Optional Full HD Capture Card
- LAN/COM 4KV Isolated Module
- Optional DICOM Part 14 Solution
- Support Video-In with Color Adjustment
- Support DP x 1, HDMI x 1 for Extended Display Output
- Support Windows 11 & fTPM
- Optional UPS Battery

Specification

| Model | WMP-24M IPOA (STD) | WMP-24M IPOB (ISO) |
|-------------------------------------|--|--|
| Main System | | |
| CPU / Chipset | LGA1200 package 10 th gen Intel® Core i7/i5/i3/Pentium/Celeron processor (35W max.) Intel® Q470E Chipset (Intel® PCH) | |
| Graphic | Intel® integrated UHD Graphics by CPU | |
| RAM | 2 x 260-pin SO-DIMM, Dual Channel DDR4 2933 / 2666 / 2400 MHz, up to 64GB | |
| OS Support | Optional Win 10 IoT Enterprise LTSC 64 bit, Windows 11 IoT Enterprise AC 64 bit | |
| Storage | 1 x M.2 (M Key, 2280) with NVMe PCIe x4 & SATA3 for SSD, 1 x 2.5" SATA3 HDD/SSD | |
| Expansion | 1 x PCI-E x16(20W Max.), 1 x M.2 E key 2230, 1 x M.2 (B/M Key, 2242/2260/2280) with PCIe x1 | |
| Display Size | 23.8" 16:9 | |
| Display (MVA) | 1920 x 1080 (Full HD), 16.7M colors, 178(H) / 178(V), 250 nits (Typ. Center point), CR:3000 : 1 (Typ) | |
| Touch Screen | Full flat projective capacitive touch panel / Light Transmission: 85% ± 3% / Hardness: 6H pencil, pressure 750g/45° / Life: 100M times | |
| I.O. Ports | STD | ISO |
| USB | 4 x USB 3.2 gen 2 | 4 x USB 3.2 gen 2 |
| COM | 1 x RS232, 1 x RS232/RS422/RS485 | 1 x ISO RS232/RS422/RS485 |
| LAN | 1 x RJ45 1Gbps Intel® I219LM (AMT/Vpro) 1 x RJ45 2.5Gbps Intel® I225V | 1 x RJ45 1Gbps Intel® I219LM (AMT/Vpro) 1 x RJ45 2.5Gbps Intel® I225V , 1 x ISO RJ45 1Gbps |
| Audio | 3.5mm phone jack connector * 2 (Line-out, Mic-In) | |
| Video output | 1 x DP 1.2 / DP++, 1 x HDMI 1.4a | |
| Video-In | 1 x HDMI-in | |
| Control Hot Key (L to R) | Battery LED Indicator; Power; Menu/Exit; Brightness; Video-In LCD On/Off; Clean Me; Programmable Function | |
| Mechanical and Environmental | | |
| Cooling | Fanless | |
| Power Adapter | AC input 100 ~240V / 47 ~ 63 Hz, External power adapter, 180W | |
| Temperature | Operating Temperature: 0~40°C / Storage Temperature: -20~60°C | |
| Humidity | Operating & Storage: 10 ~ 90%, non-condensing | |
| IP Rating | IP65 at front side, Full IP65 w/optional I.O. cover / Touch (standard)/ Glass(customized); | |
| Housing | Rear: Aluminum Alloy Body / White (Touch) | |
| Dimensions (Net) | 580mm (H) x 350mm (V) x 59mm (T) | |
| Weights (Net) | 11.4 kg (w/o power adapter/battery pack) | |
| Mounting | VESA 100 x 100 | |
| Certification | FCC (part 18 Class B) / CE (EN 60601-1-2 :2015 ver. 4.0) / VCCI (2016-11, class B) UL(ES60601-1:2012 (V3.1) / cUL (C22.2 No. 60601-1:2014 V3.1) By Project MDR (2017/745) By Project | |

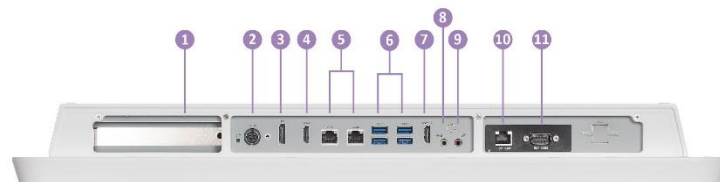


| Major Options | |
|---------------|---|
| Accessory | <ul style="list-style-type: none"> ① Cable clean I.O. cover ② WMP series stand, VESA 100 ③ 2M Extension Power DC Cable |
| Options | <ul style="list-style-type: none"> ① 802.11 ac/a/b/g/n WLAN + Bluetooth module (optional order configuration) ② 802.11 ax/a/b/g/n WLAN + Bluetooth module (Wifi-6) (optional order configuration) ③ 2.5" SSD module ④ M.2 type 2280 module ⑤ RFID (13.56MHz) ⑥ TPM 2.0 module or fTPM ⑦ Full HD capture card or 4K SC710N1 12G SDI capture card ⑧ Equipotential terminal pin ⑨ AG film ⑩ DICOM part 14 compliance (optional order configuration) ⑪ Integrated battery 81Wh or 108.5Wh x 1 (output 100W max.) ⑫ Optical bonding ⑬ USB 5,6 |
| Customization | <ul style="list-style-type: none"> ① Tempered glass ② Touch with AG coating <ul style="list-style-type: none"> - anti-reflective, - anti-microbial, - anti-glare, - anti-fingerprint ③ Auto focus 5M pixel webcam module |

Order Information

| Item | Configuration |
|-----------------|---|
| WMP-24M-IP0A-i5 | Core i5-10500TE 2.20GHz/DDR4 4G RAM/M.2 128G SSD/ Full flat P.cap touch |
| WMP-24M-IP0A-i7 | Core i7-10700TE 1.80GHz/DDR4 4G RAM/M.2 128G SSD/Full flat P.cap touch |
| WMP-24M-IP0B-i5 | Core i5-10500TE 2.20GHz/DDR4 4G RAM/M.2 128G SSD/Full flat P.cap touch, ISO |

I/O ports(ISO)



- | | | |
|-------------------|---------------|---------------|
| ① PCI-E Expansion | ⑤ 2 x LAN | ⑨ Micro-in |
| ② DC-in | ⑥ 4 x USB 3.0 | ⑩ 1 x ISO LAN |
| ③ DP | ⑦ Video-in | ⑪ 1 x ISO COM |
| ④ HDMI | ⑧ Line-out | |