

# WTP-8B66-15

## 15" Intel Bay Trail Stainless Full IP66 Fanless Panel PC



Waterproof  
Full IP66



Fanless



Stainless



### Key Features

- Stainless steel anti-corrosion housing
- IP66 full sealed enclosure
- True fanless design
- Onboard Intel® Celeron® J1900 ( 2.0 GHz) SoC
- 15" LCD with full flat touch screen
- M12 metal with IP68 connectors
- IP67 power adapter and IP67 external I/O cables
- Special thermal design with anti-water condensation
- Optional Mini-PCIe WLAN with external antenna
- Optional stainless wall mount or table mount kit

### Main System

<b>CPU</b>	Intel® Celeron® J1900 2.0 GHz quad-core processor (10W max.)
<b>Graphics</b>	Intel® HD Graphics
<b>Memory</b>	Two 1333 MHz DDR3L SODIMM socket support dual Channel, non-ECC, up to 8 GB
<b>Serial ATA</b>	SATA II controller (3.0Gb/sec) Port x 2
<b>USB</b>	USB 2.0 X 6

**Serial port** RS232 x 3, RS232 / 422 / 485 x 1 (Set by BIOS, RS485 auto flow)

<b>Audio</b>	Realtek ALC262 Audio Codec, 2+2 watts power amplifier
<b>LAN</b>	Intel I210-AT Gigabit Ethernet x 2
<b>WDT</b>	Generates system reset; 256 segments, 0, 1, 2...255 sec/min.
<b>BIOS</b>	Brand: AMI Flash ROM size: 64Mb Support RTC wakeup / Wake on LAN / Power on after power failure / PnP / ACPI / RTC

### LCD Panel

<b>Size</b>	15" 4:3
<b>Resolution</b>	1024x768 (XGA)
<b>Brightness</b>	400 nits
<b>Contrast</b>	600:1
<b>Color numbers</b>	16.7M colors (RGB 6bit + HiFRC)
<b>Viewing angle</b>	160 (H) / 160 (V)
<b>Response time</b>	8 ms (R + F)
<b>Backlight</b>	LED, 50,000 hours life time

### Touch Panel

<b>Type</b>	Full Flat Resistive touch, 5-wire
<b>Light transmittance</b>	80±5%
<b>Hardness</b>	4H
<b>Touch stylus</b>	No Limitation, can use any stylus
<b>Resolution</b>	4096 x 4096
<b>Life time</b>	35 million times

### Storage & Expansion

**HDD** 2.5" SATA HDD drive bay x 1

**Expansion slot** Mini PCIe x 2

### I/O & Control Keys

<b>USB</b>	1 x M12 8pin for USB 1/2 1 x M12 8pin for USB 3/4
<b>COM</b>	1 x M12 8pin for COM 1/RS-232 / 422 / 485 (Set by BIOS, RS485 auto flow) 1 x M12 8pin for COM 2/RS-232
<b>LAN</b>	1 x M12 8pin for LAN 1
<b>Power input</b>	1 x M12 5pin DC power connector, DC 7V~32V
<b>Control keys</b>	Rear bottom: Power on/off, reset

### Power

**Power adaptor** AC 90 ~ 264V / 47 ~ 63 Hz / DC output 12V , IP67, 60W

**Power consumption** 31.82 W ( MAX. Loading without adapter )

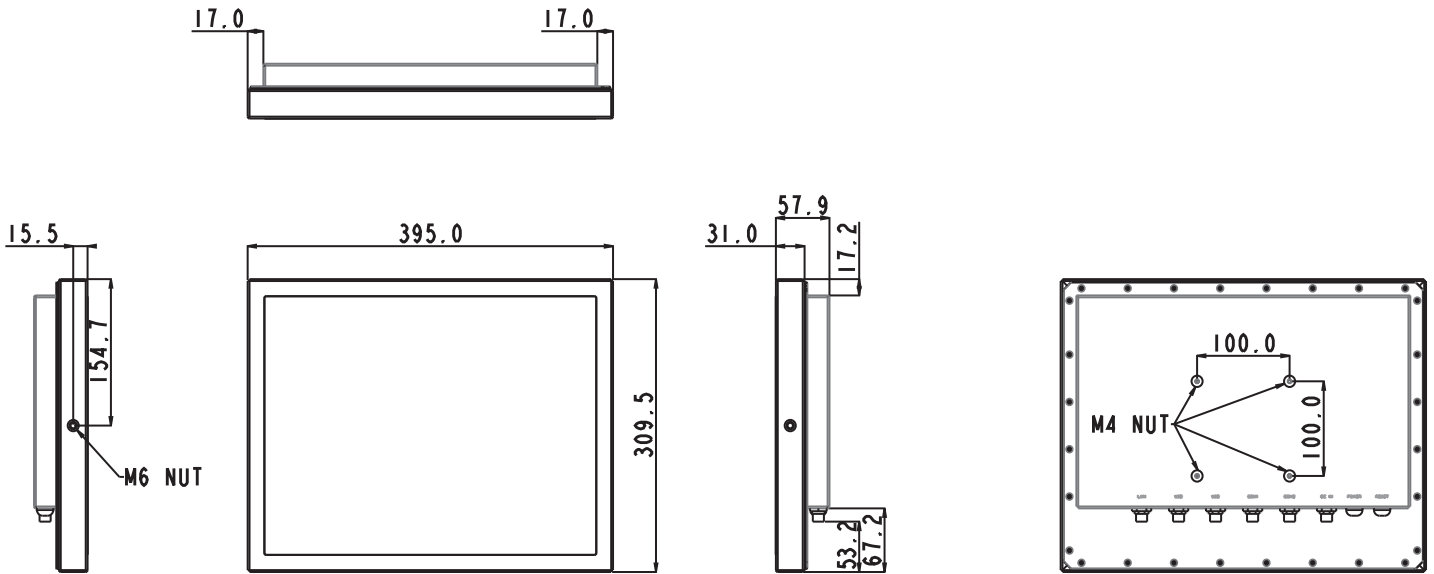
### Mechanical & Environmental

<b>Housing</b>	Stainless steel (SUS304), chassis type
<b>IP rating</b>	IP66 whole set (include the I/O connectors & control keys)
<b>Cooling</b>	Fanless
<b>Mounting</b>	VESA 100 x 100 mm and side mount (M6 *2)
<b>Dimension</b>	395 x 309.5 x 58 mm (W x H x D, not include I/O connectors)
<b>Weight</b>	7.6 Kg (net)
<b>Temperature</b>	Operating – 40 °C (air flow cooling) Storage – -20°C~60°C
<b>Humidity</b>	Operating & storage – 10%~90%, non-condensing
<b>Regulatory</b>	FCC, CE(EMC) , VCCI classB

# WTP-8B66-15

15" Intel Bay Trail Stainless Full IP66 Fanless Panel PC

## Outline Dimension



## Packaging & Options

**Packaging** System, power adaptor, AC power cord,  
DVD (drivers & manual)

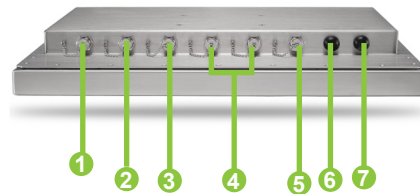
### Options

- Wireless or Wireless + BT kit (2 ant)
- M12 to 1x COM cable
- M12 to 1x USB cable (1 USB Port)
- M12 to 2x USB cable (2 USB Ports)
- M12 to 1x LAN cable  
(cable length is 2 meters, Waterproof )
- SSD
- Wall mount / table mount bracket

### Customization

- 1000 nits high brightness LCD
- Sunlight readable optical bonding
- Anti UV and 7H coating
- Full flat PCT touch screen IP69K
- LCD Auto dimming
- LCD Super dimming (Low brightness)
- E3845 QC 1.91 GHz 10W

## I/O & Control Keys



- 1 Giga Lan
- 2 USB (1/2)
- 3 USB (3/4)
- 4 COM x 2
- 5 DC-in
- 6 Power on/off
- 7 Reset



Table Mount



Wall Mount

## Ordering Information

- CPU: Intel Celeron J1900 2.0 GHz
- Memory: 2G / 4G / 8G
- HDD: 320G / 500G
- LAN / USB / COM Cable: None / x 1
- SSD: None / x 1
- WLAN: None / x 1
- Stainless steel side mount bracket: None / wall mount / table mount
- WLAN + Bluetooth: None / x 1



### Wincomm Corporation

3F, NO. 14, Prosperity Road II, Science-Based Industrial Park,  
Hsinchu, Taiwan 30078, R.O.C  
Tel : +886 3 578 0000 Fax: +886 3 578 0295

Web: [www.wincomm.com.tw](http://www.wincomm.com.tw)

Contact: [sales\\_support@wincomm.com.tw](mailto:sales_support@wincomm.com.tw)