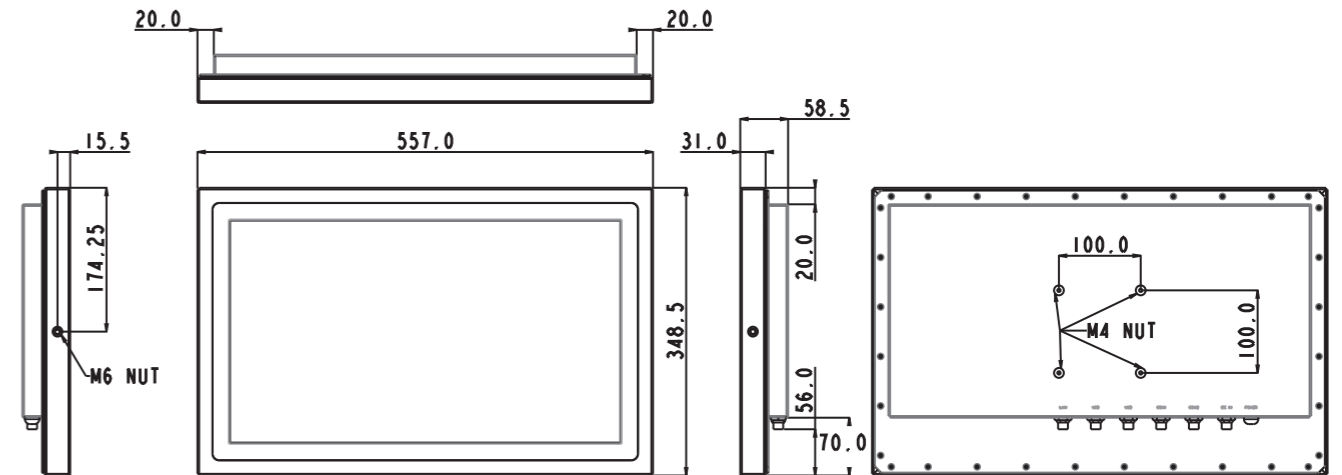


Key Features

- 21.5" Intel Core i7/i5 Fanless Stainless Panel PC
- IP66 full sealed with Anti-corrosion enclosure
- 21.5" Full HD LCD with full flat Resistive touch
- IP67 M12 metal connectors
- Special inspection of 100% waterproof guarantee
- CE, FCC, VCCI Class B certified
- Optional Mini-PCIe WLAN with external antenna
- Optional PCAP touch with IP69K true tested
- Optional IP67 solution



Outline Drawing



Main System

CPU	FCBGA1023 3rd Generation Intel® Core i7/i5/i3/Celeron processor (17W max.)
Chipset	Intel® HM65
Graphics	Intel® integrated HD Graphics 4000
Memory	Two 1600 MHz DDR3 SODIMM socket support dual Channel, non-ECC, up to 16GB

I/O & Power & Control Keys

USB	1 x M12 8pin for USB 1/2 1 x M12 8pin for USB 3/4
COM	1 x M12 8pin for COM 1/RS-232 1 x M12 8pin for COM 2/RS-232
LAN	1 x M12 8pin for LAN 1
Power input	1 x M12 5pin DC power connector, DC7V~32V
Power adaptor	AC 100-277V / 47 ~ 63 Hz / DC output 24V, IP67, 120W
Power consumption	54.74 W (MAX. Loading without adapter)
Control keys	Rear bottom: Power on/off

LCD Panel

Size	21.5" 16:9
Resolution	1920 x 1080 (Full HD)
Color numbers	16.7M colors (RGB 6bit + HIFRC)
Viewing angle	85 (H) / 80 (V)
Contrast	1000:1
Brightness	250 nits

Touch Panel

Type	Full Flat Resistive touch, 5-wire
Light transmission	80±5%
Hardness	4H
Life time	35 million times

Storage & Expansion

HDD	2.5" SATA HDD drive bay x 1
Expansion slot	Mini PCIe x 2

Mechanical & Environmental

Housing	Stainless steel (SUS304), chassis type
IP rating	IP66 whole set (include the I/O connectors & control keys)
Cooling	Fanless
Dimension	557 x 348.5 x 58.5 mm (W x H x D, not include I/O connectors)
Weight (net)	12KG
Temperature	Operating - 0°C~40°C (air flow cooling) Storage - -20°C~60°C
Humidity	Operating & storage - 10%~90%, non-condensing
Regulatory	FCC, CE (EMC), VCCI Class B

Options

Wireless or Wireless + BT kit (2 ant)
M12 to 1x COM cable (cable length is 2 meters)
M12 to 1x USB cable (1 USB Port) (cable length is 2 meters)
M12 to 2x USB cable (2 USB Port) (cable length is 2 meters)
M12 to 1x LAN cable (cable length is 2 meters)
SSD
Wall mount / table mount bracket
2 External LAN (USB x2, LAN x2, COM x1)
Second HD
IP67
IP69K
TPM

Customization

1000 nits high brightness LCD
Sunlight readable optical bonding
LCD Auto dimming
LCD Super dimming (Low brightness)



- 1 Giga LAN
- 2 USB 1/2
- 3 USB 3/4
- 4 COM x 2
- 5 DC-in
- 6 Power on/off



Ordering Information

WTP-9A66-22 (i5)	22" FANLESS	Core i5-3317U/2G/320G/Full flat R-Touch
------------------	-------------	---