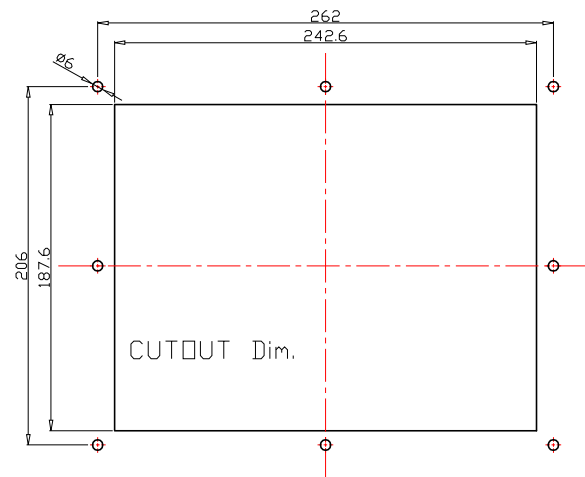


VIEW A



AD/BOARD		MODEL	IPM0846			<b>泓瑜科技有限公司</b> <b>WINSONIC TECH. CO., LTD.</b>				
INVERTER										
KEY PAD										
PANEL:		VERSION	MATERIAL	DATE	2012-Mar-09	PART NAME	ASSEMBLY			
		D						APPROVED		DRAWN
									UNIT	MM

1

2

3

4

5