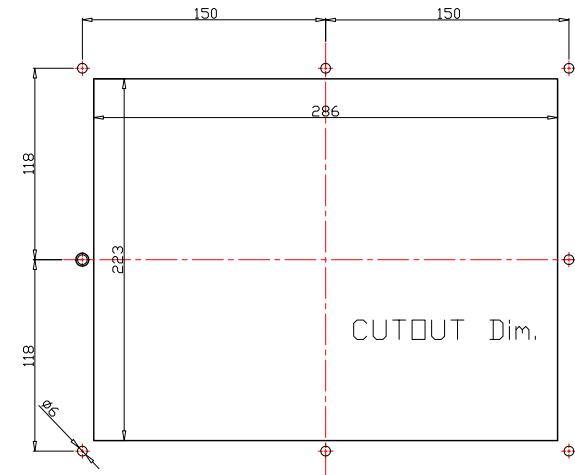


VIEW A



AD/BOARD		MODEL	IPM1045			泓瑜科技有限公司 WINSONIC TECH. CO., LTD.				
INVERTER										
KEY PAD										
PANEL:		VERSION	MATERIAL	METAL	DATE	2012-Feb-22	PART NAME	Assembly		
D		D					APPROVED	DRAWN	JACK	
							DWG SIZE	MM		

1

2

3

4

5