

1 2 3 4 5

A

B

C

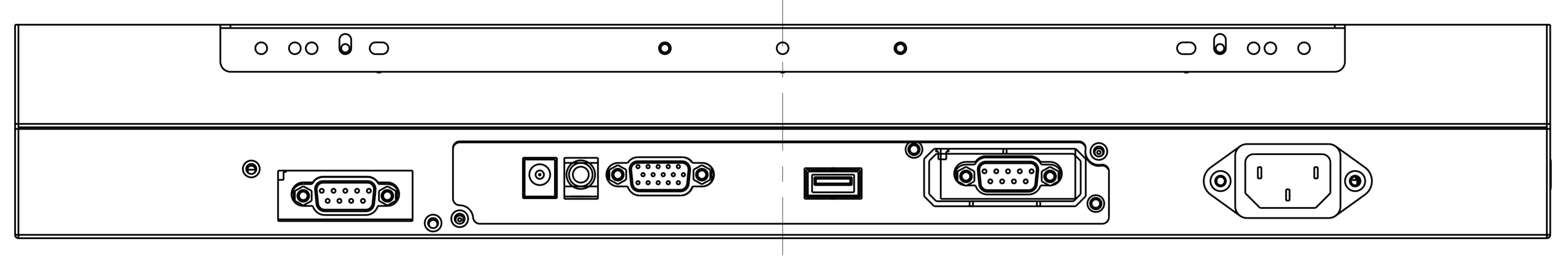
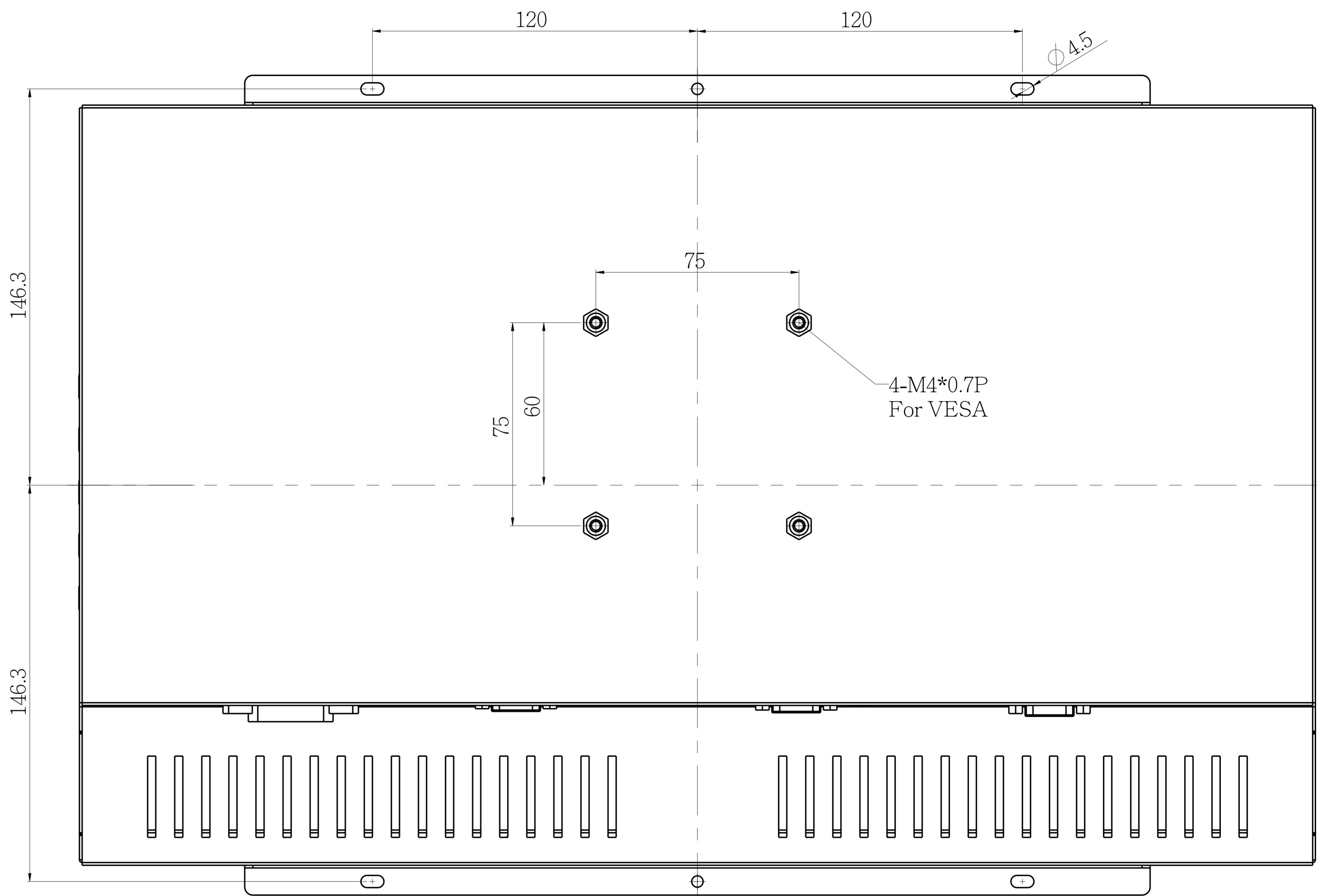
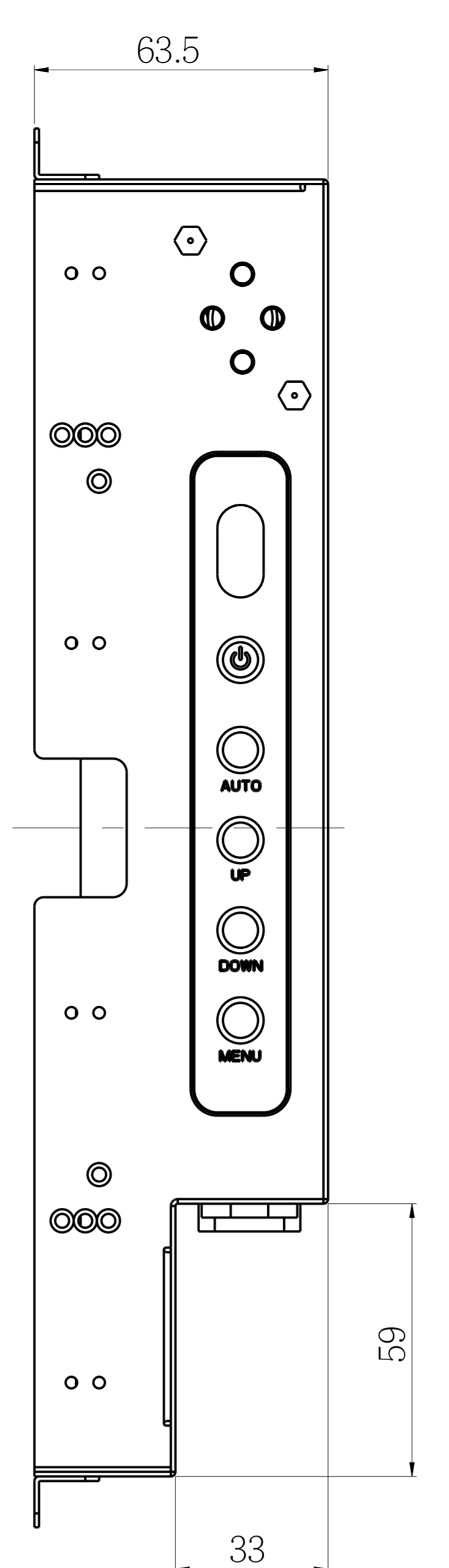
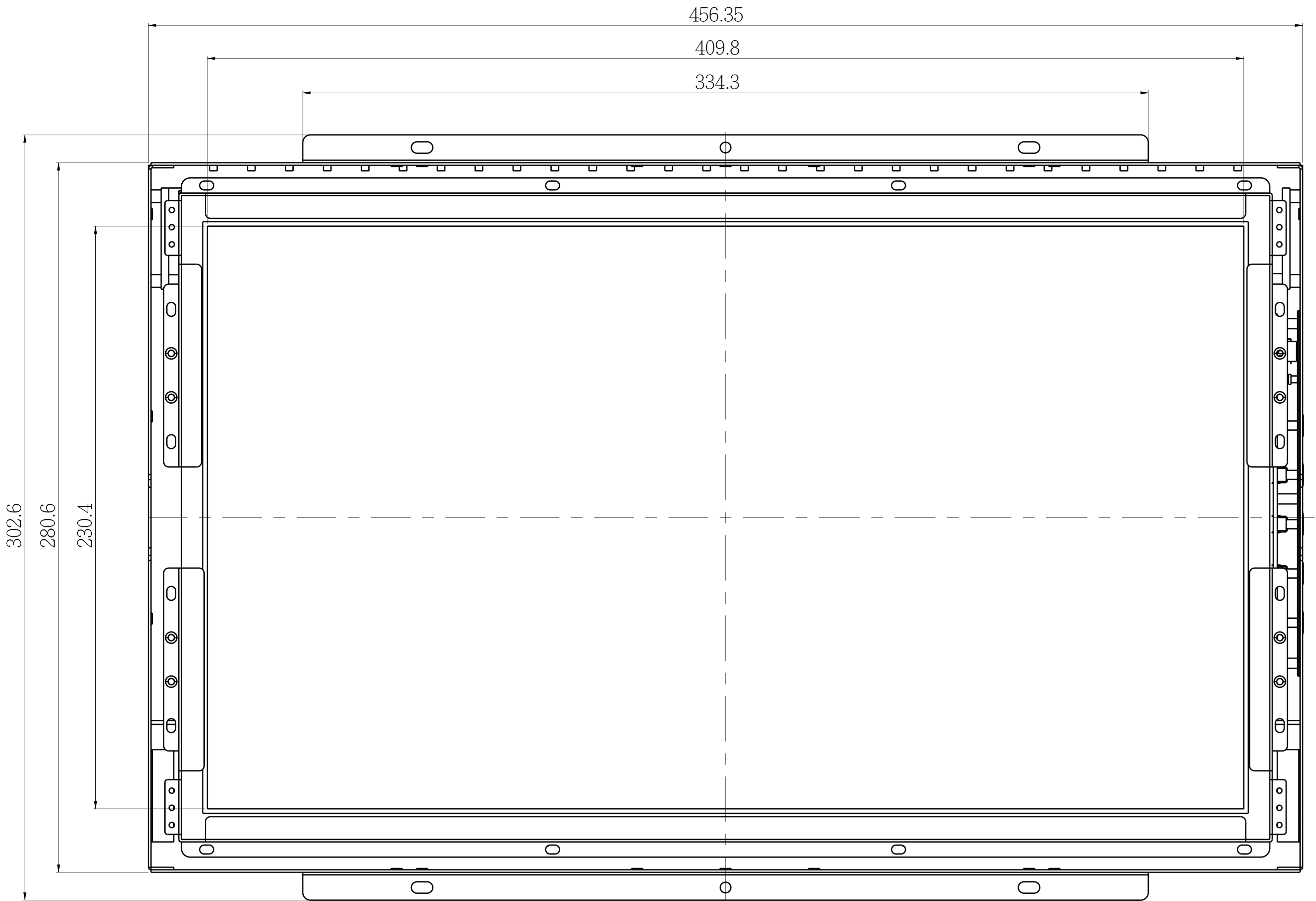
D

A

B

C

D



AD/BOARD		MODEL			OF1855			泓瑜科技有限公司 WINSONIC TECH. CO., LTD.			
INVERTER											
KEY PAD											
PANEL:	VERSION	MATERIAL	METAL	DATE	2012-Apr-09	APPROVED	DRAWN	Chris	SCALE	1.000	
	V1								UNIT	MM	

1 2 3 4 5