

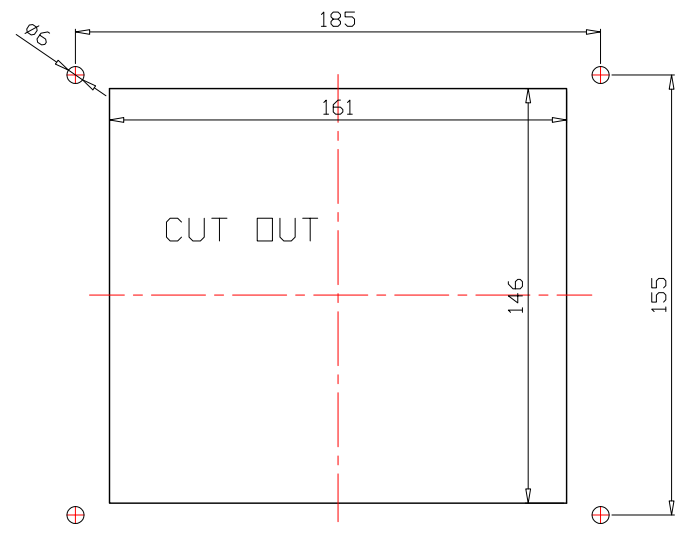
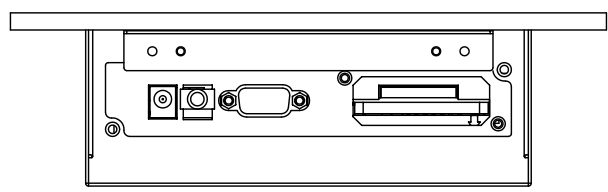
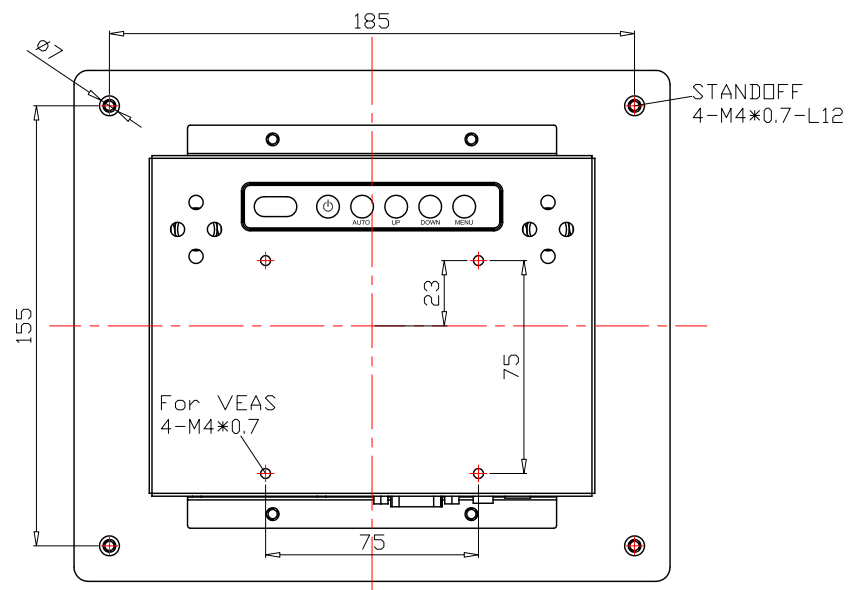
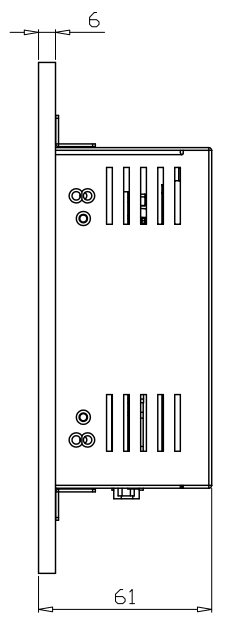
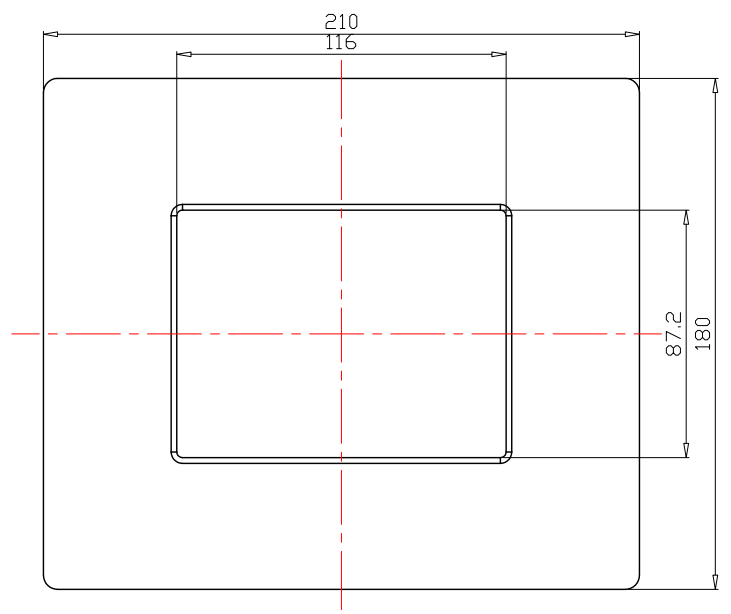
1 2 3 4 5

A

B

C

D



AD/BOARD		MODEL	PM0576		泓瑜科技有限公司 WINSONIC TECH. CO., LTD.				
INVERTER									
KEY PAD					VERSION	DATE	2012-Feb-13	APPROVED	DRAWN
PANEL:									
AU-G057VN01_V0		D	MATERIAL						

1 2 3 4 5