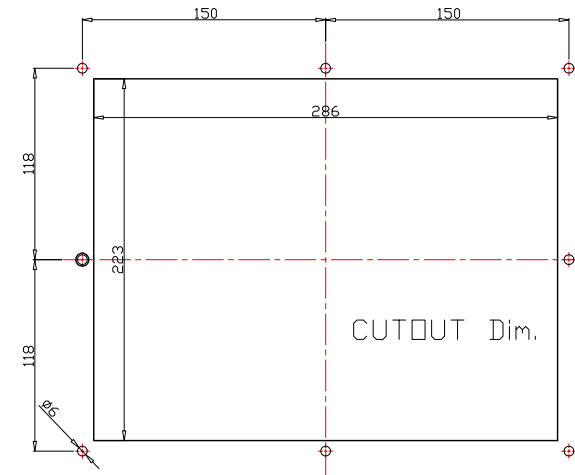


VIEW A



AD/BOARD		MODEL	PM1045			泓瑜科技有限公司 WINSONIC TECH. CO., LTD.						
INVERTER										PART NAME	Assembly	
KEY PAD						VERSION	MATERIAL	METAL	DATE	2012-Feb-22	APPROVED	
PANEL:		D									DWG SIZE	MM

1

2

3

4

5