

1 2 3 4 5

A

B

C

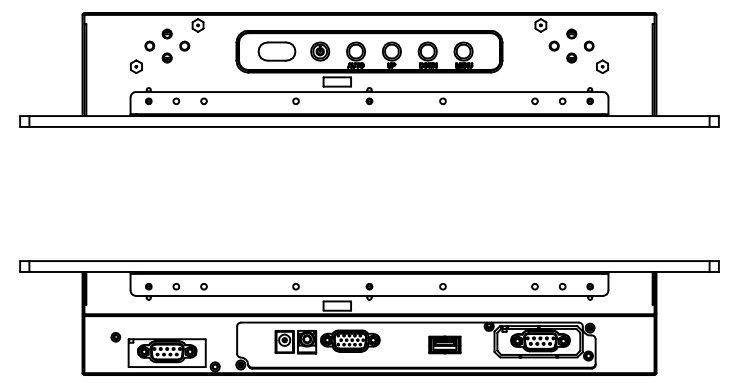
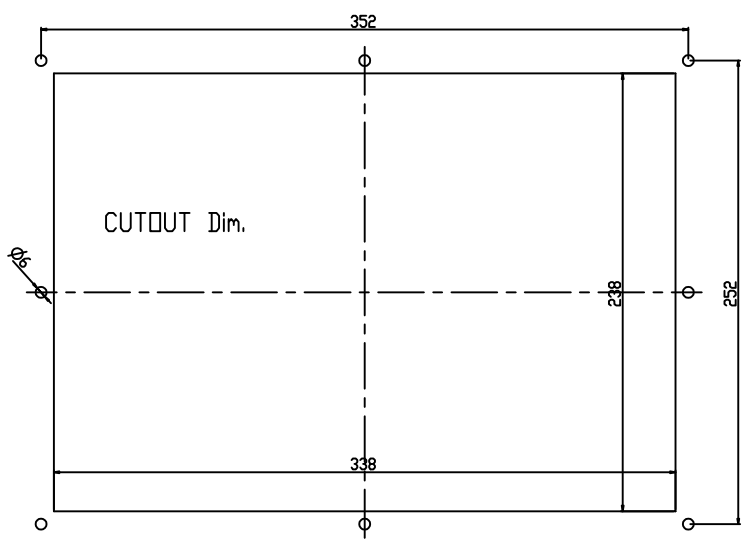
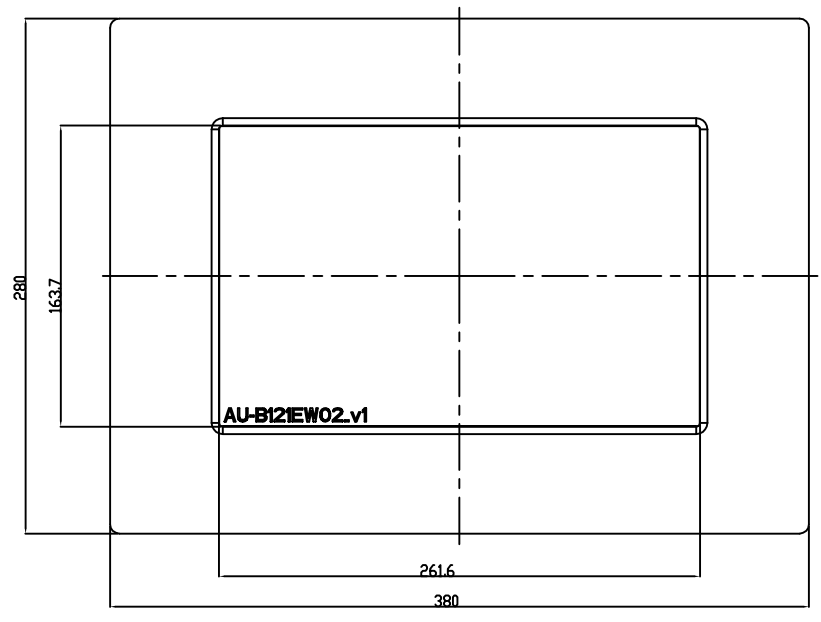
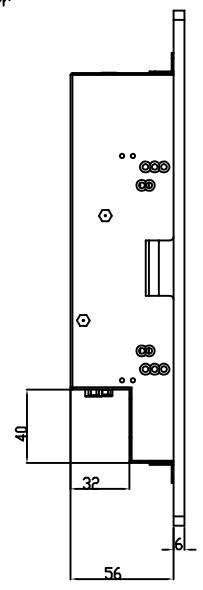
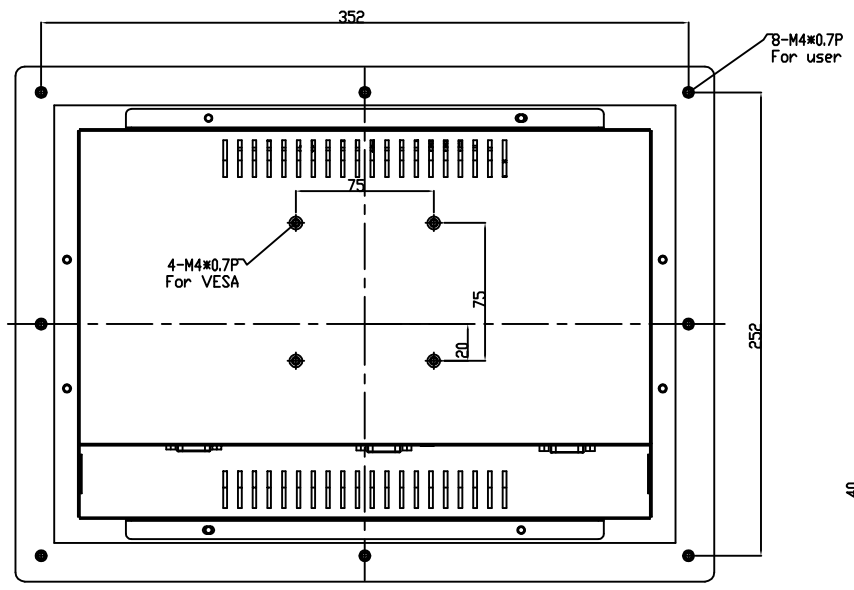
D

A

B

C

D



AD/BOARD		MODEL	PM12W5			泓瑜科技有限公司 WINSONIC TECH. CO., LTD.					
INVERTER											
KEY PAD											
PANEL:		VERSION	MATERIAL	METAL	DATE	2012-May-08	PART NAME	ASSEMBLY			
		D					APPROVED	DRAWN	Jack	SCALE	UNIT

1 2 3 4 5