

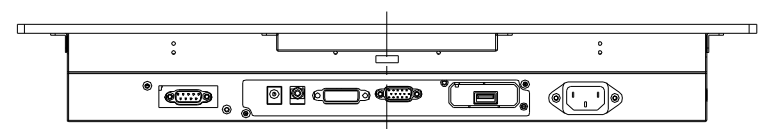
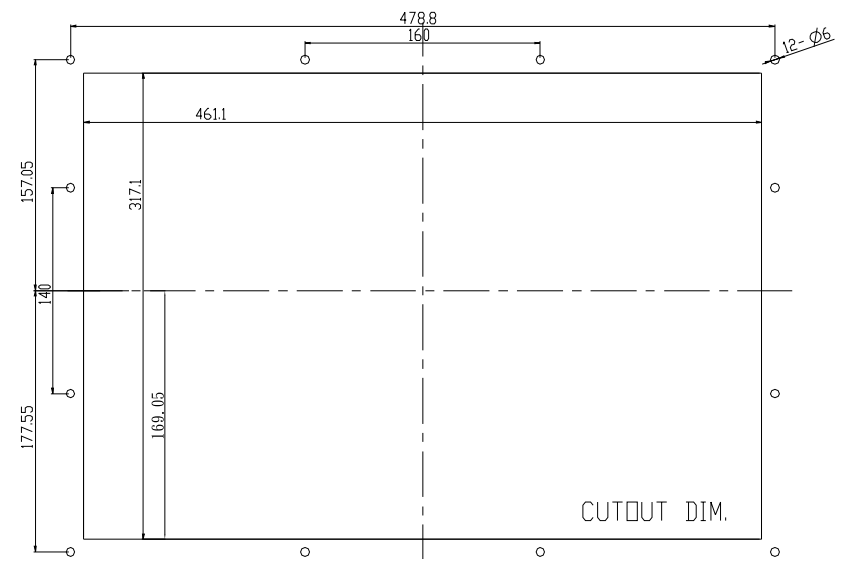
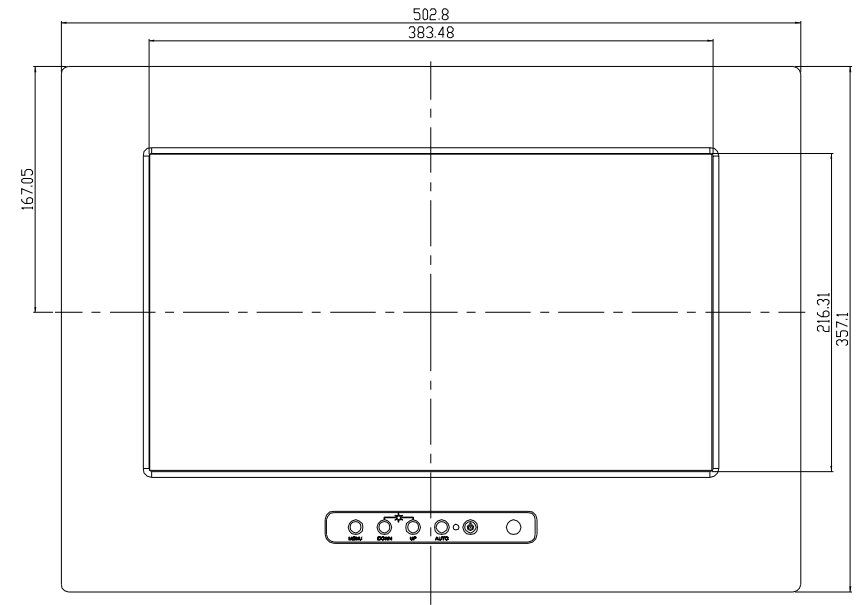
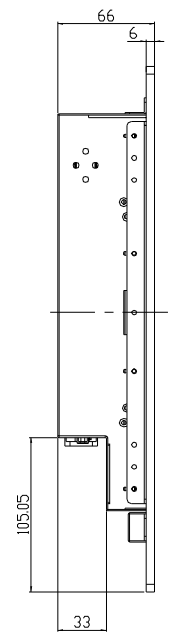
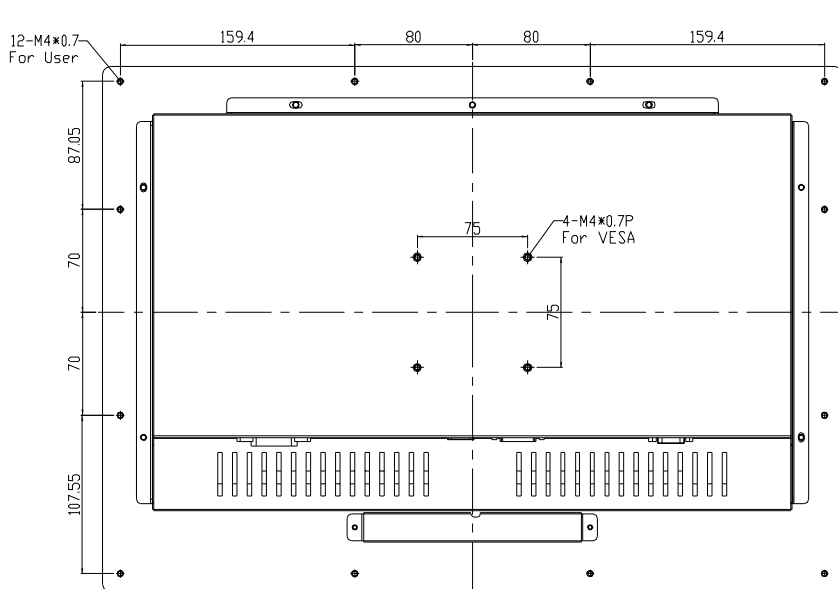
1 2 3 4 5

A

B

C

D



AD/BOARD		MODEL	PM1733			Winsonic Electronics. Co., Ltd.				
INVERTER										
KEY PAD										
PANEL:	VERSION	MATERIAL	METAL	DATE	2014-Mar-28	PART NAME	ASSEMBLY			
	V1					APPROVED	DRAWN	Chris	SCALE	0.800