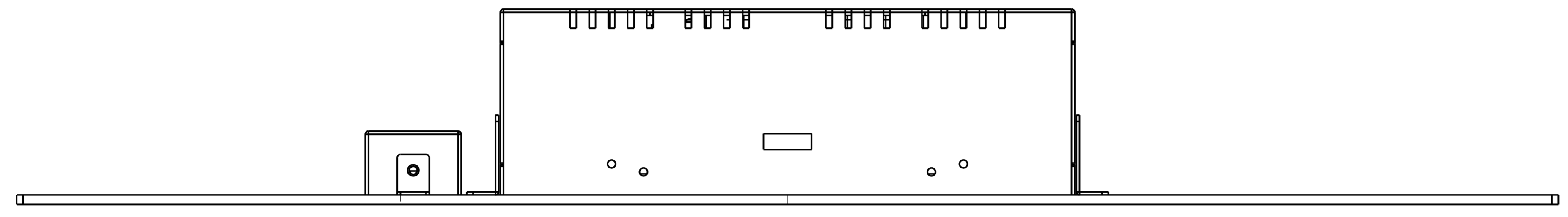
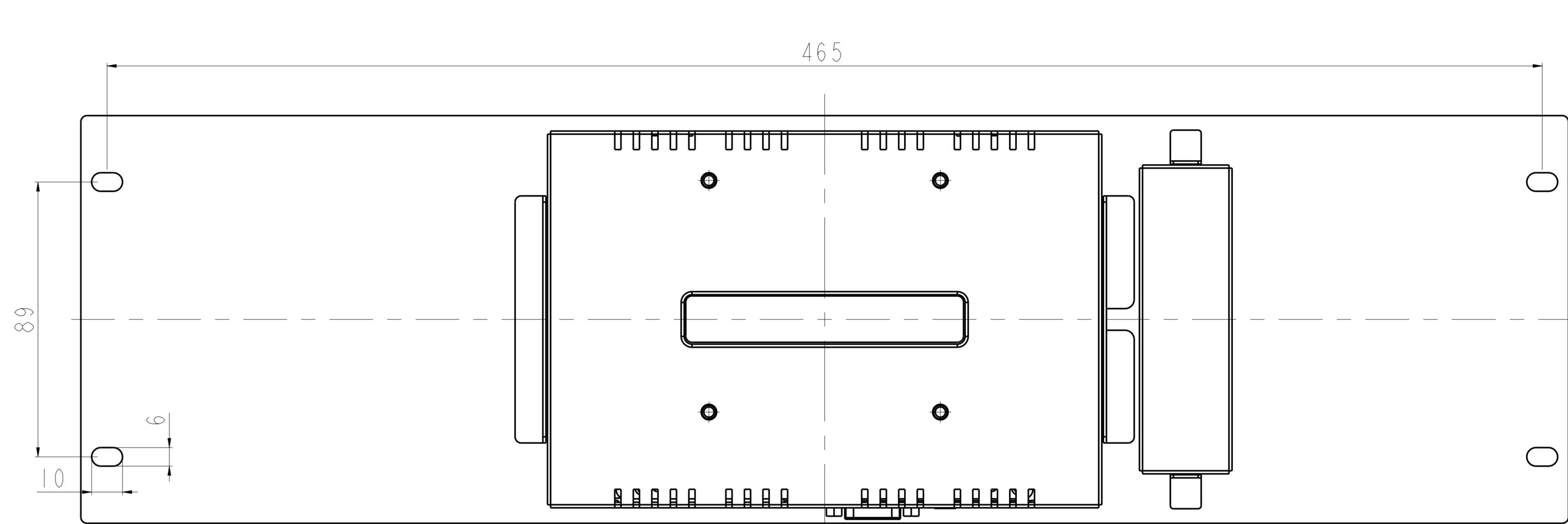
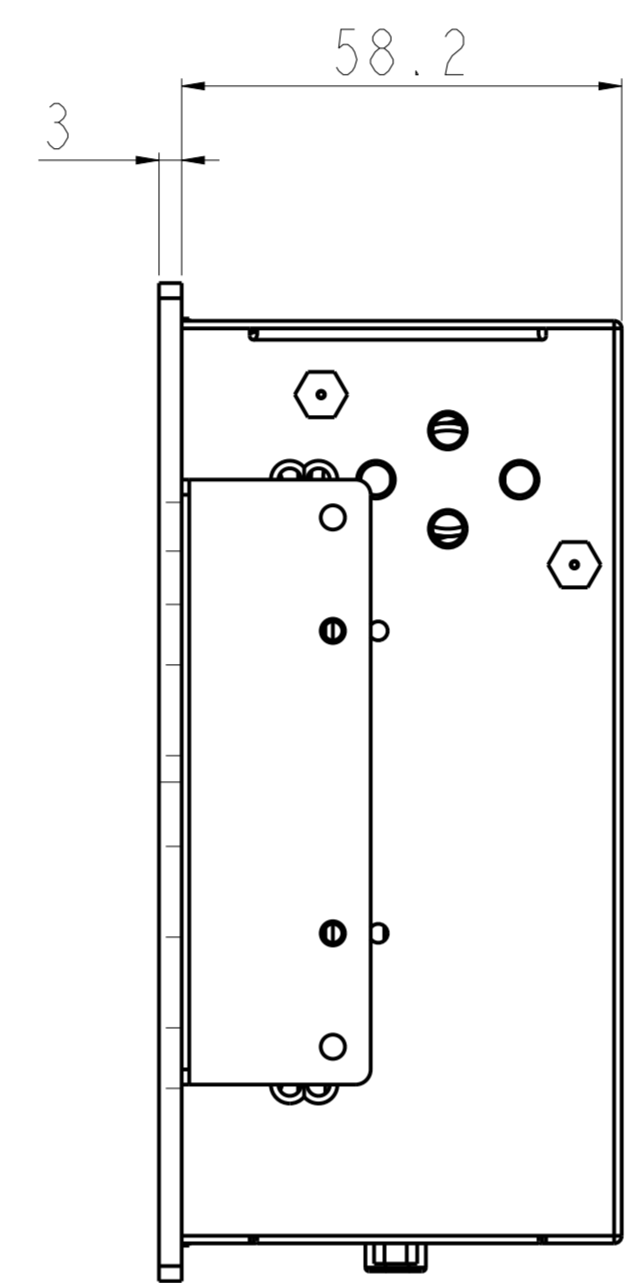
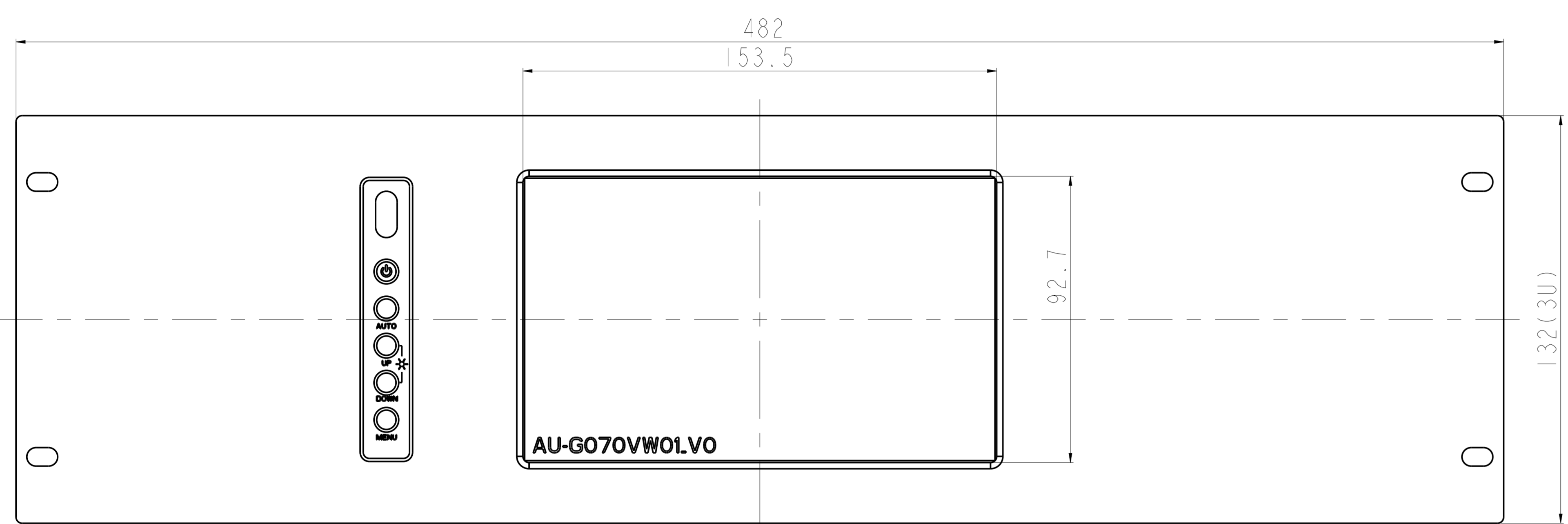


1 2 3 4 5

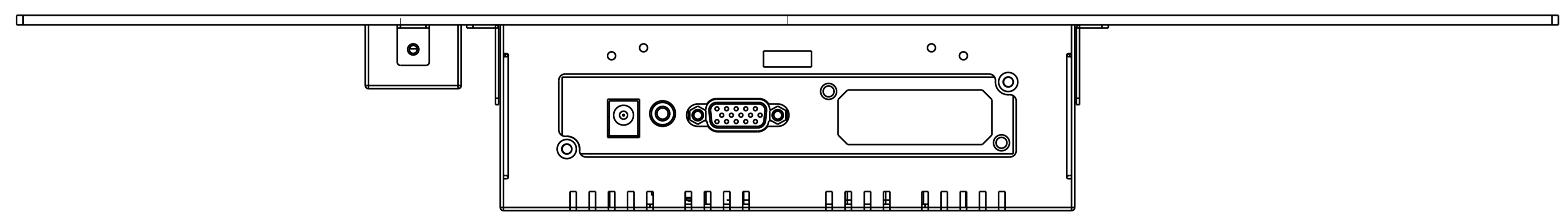
A A



B B



C C



D D

AD/BOARD		MODEL	RM0706			Winsonic Electronics. Co., Ltd.					
INVERTER						PART NAME	ASSEMBLY			SCALE	1
KEY PAD							APPROVED		DRAWN	Jack	UNIT
PANEL :		VERSION	MATERIAL	METAL	DATE	2018-Jul-19					
		V1									

1 2 3 4 5