

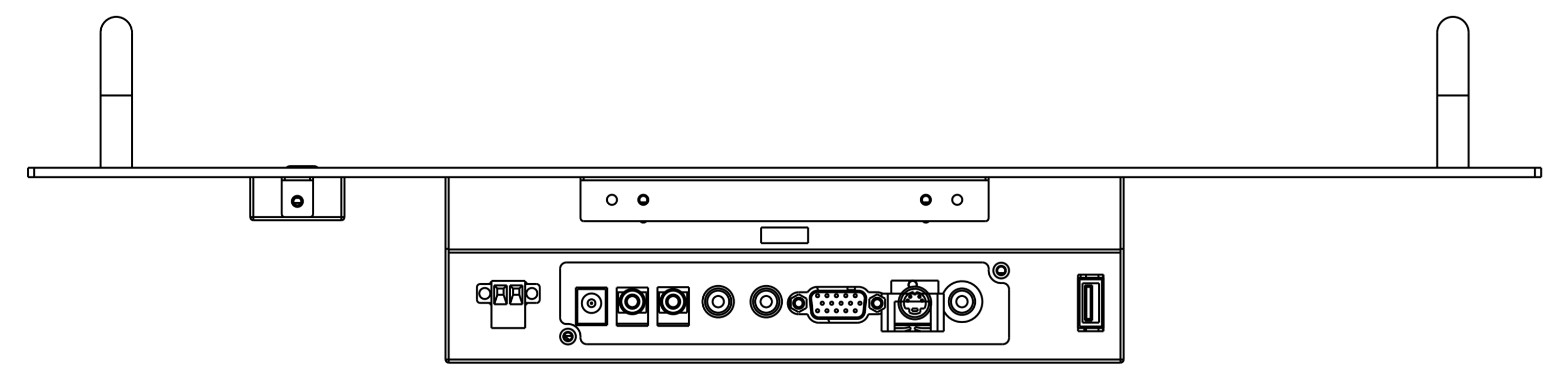
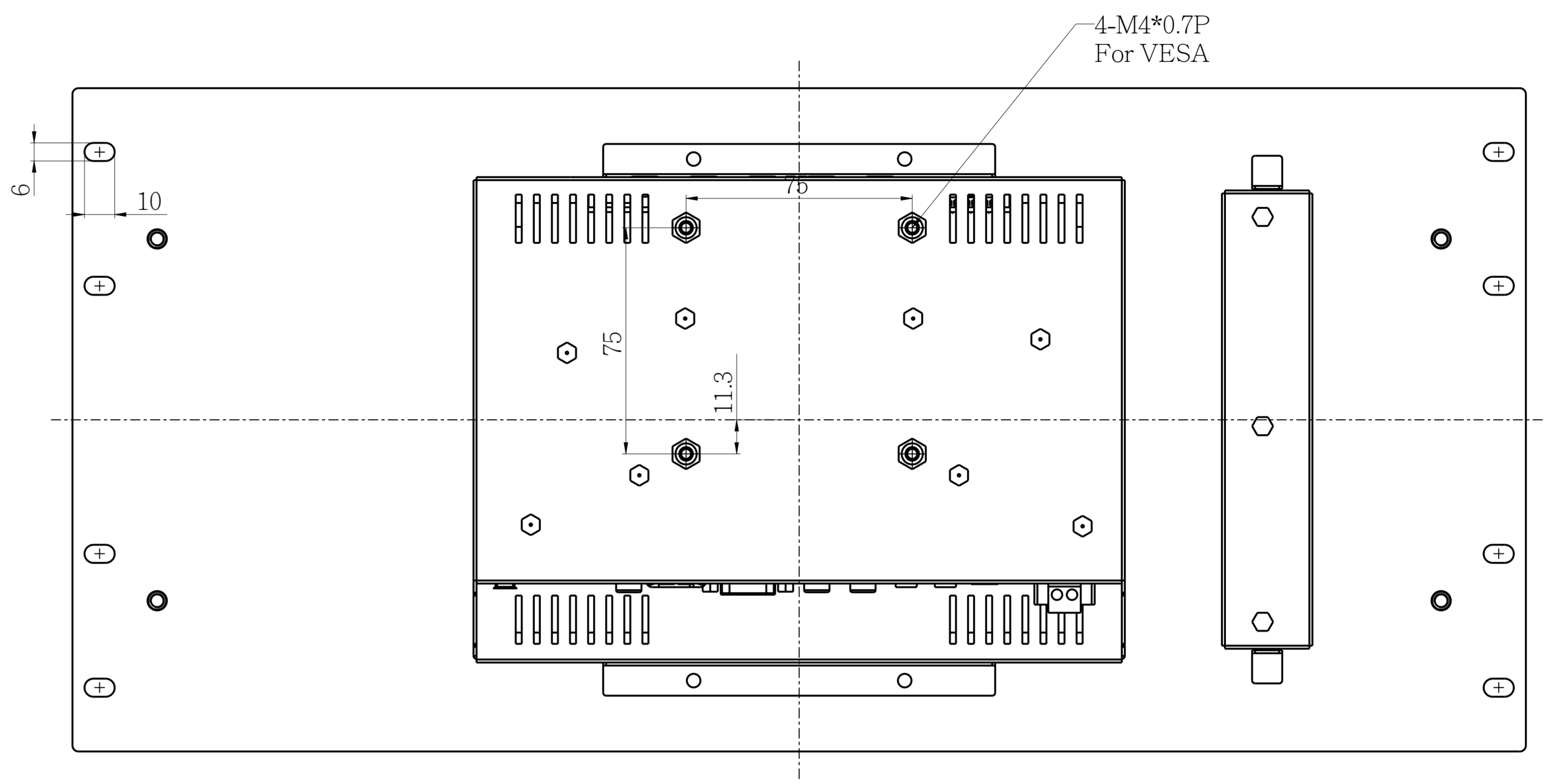
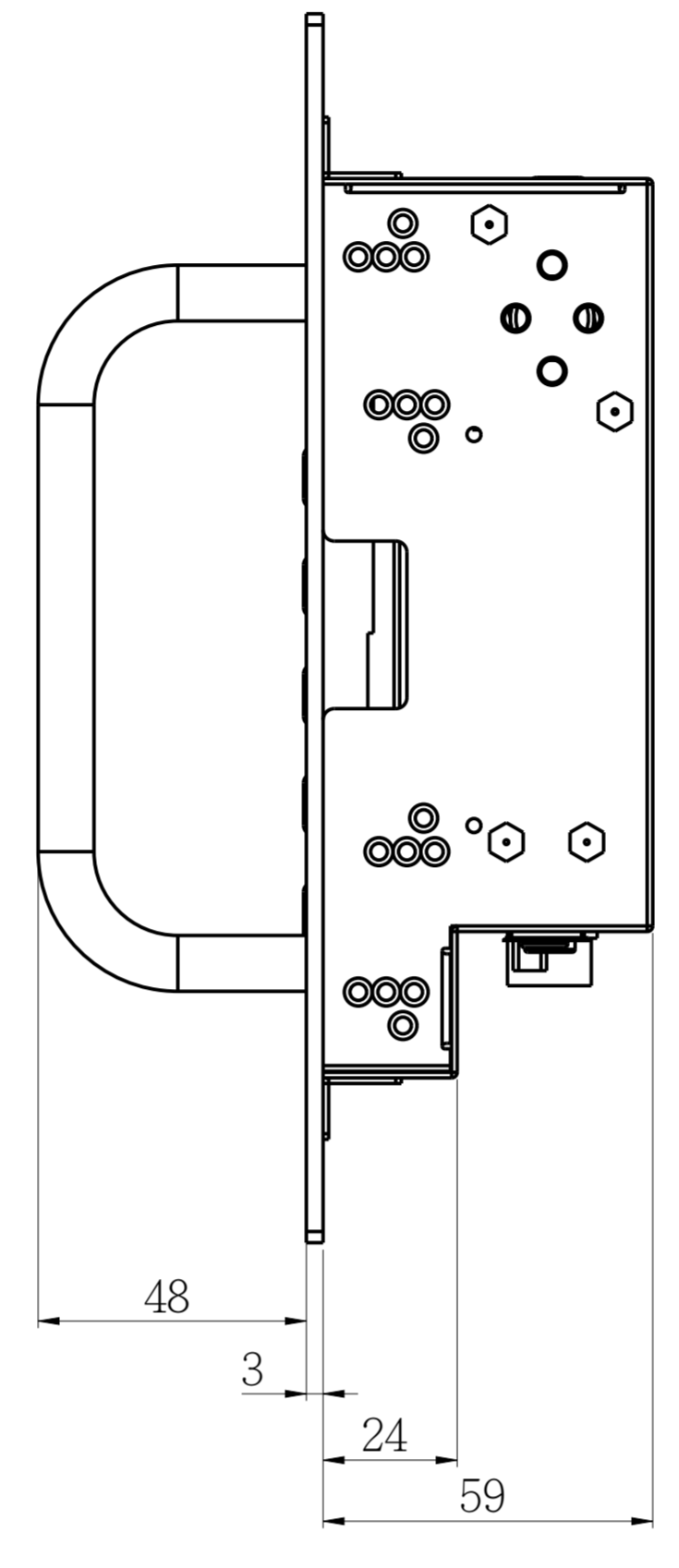
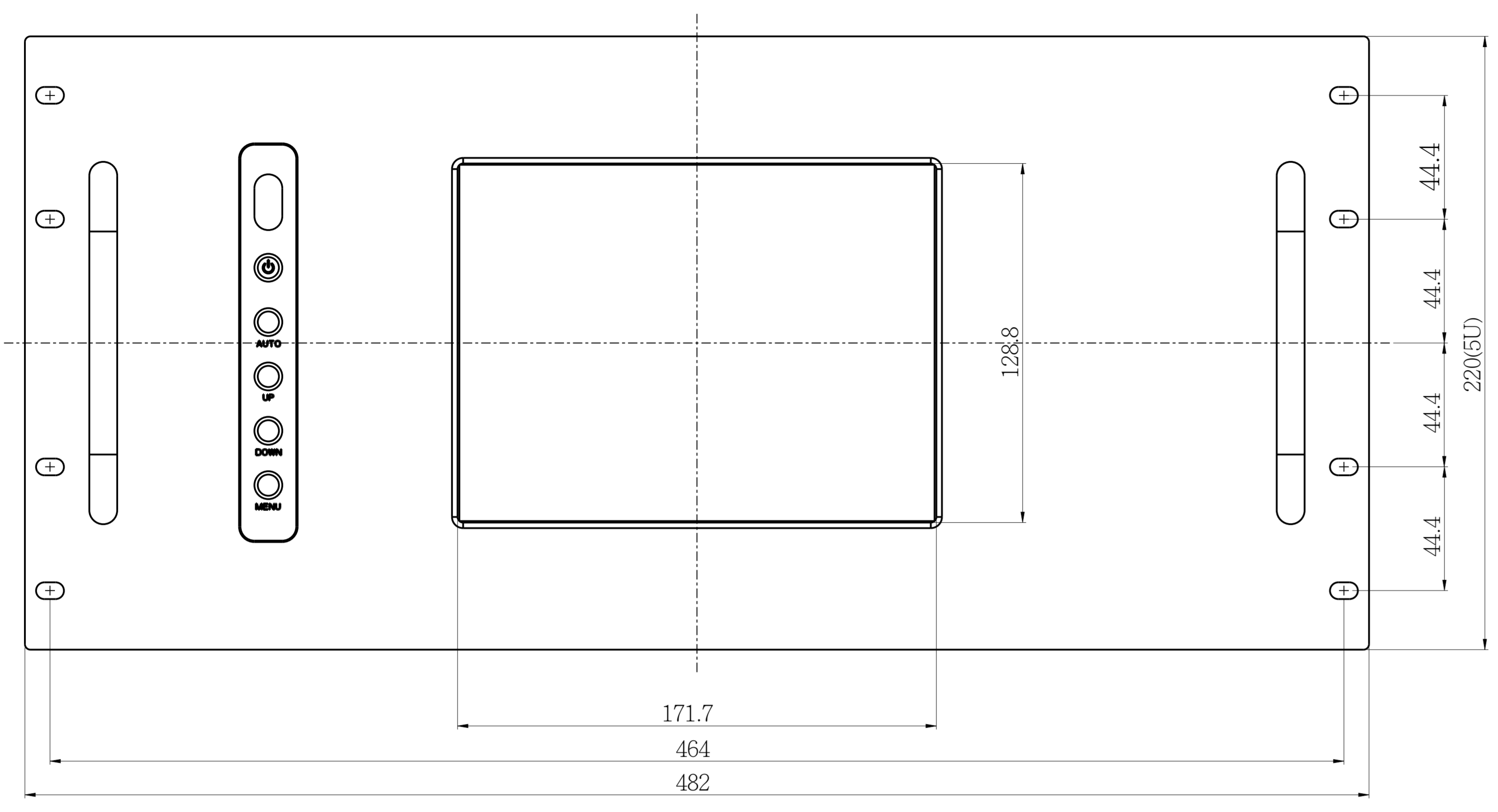
1 2 3 4 5

A A

B B

C C

D D



AD/BOARD		MODEL	RM0846	泓瑜科技有限公司 WINSONIC TECH. CO., LTD.							
INVERTER		PART NO.								PART NAME	ASSEMBLY
KEY PAD		MATERIAL	METAL	DATE	2011-Jun-03	APPROVED		DRAWN	Jack	UNIT	MM
PANEL:											

1 2 3 4 5