

# A426

## 5MP Zoom Bullet with D/N, Adaptive IR, Extreme WDR, SLLS, 4.4x Zoom Lens



- 5 Megapixel
- Day & Night with Superior Low Light Sensitivity and Adaptive IR LED
- Extreme WDR
- H.265 Compression
- Super wide angle
- Built-in Analytics
- Event trigger, response and notification

### ► Specifications

#### Device

Product Type	Zoom Bullet
Maximum Resolution	5MP
Application Environment	Outdoor
Image Sensor	Progressive Scan CMOS
Sensor Size	1/2.7 "
Effective Pixels	2688(H) X 1944(V) (5.23 MP)
Day / Night	Yes
Low Light Sensitivity	Superior
Minimum Illumination	Color: 0.01 lux; B/W: 0 lux (IR LED on)
Mechanical IR Cut Filter	Yes
IR Sensitivity Range	700-1100nm
IR LED	Adaptive IR LED x 8 (850 nm)
IR Working Distance	40m
Electronic Shutter	1-1/10000 second (manual mode); 1-1/10000 second (auto mode)
Horizontal Resolution (TV Lines)	1600 TVL

S/N Ratio

Video SNR: 58 dB Audio SNR: 70 dB

**Lens**

Focal Length	Zoom, f2.7-12mm
Aperture	F1.6
Zoom Ratio	4.4x optical zoom, 10x digital zoom
Iris	P-Iris
Focus	Auto focus
Lens Mount	Board mount
Horizontal Viewing Angle	102.1° - 31.5°
Vertical Viewing Angle	70.3° - 22.7°
Viewing Angle Adjustment	Pan: 360°, Tilt: 90°, Rotation: 360°

**Video**

Compression	H.265, H.264, MJPEG
Maximum Frame Rate vs. Resolution	30 fps at 2688 x 1944 30 fps at 2592 x 1944 30 fps at 2688 x 1512 30 fps at 1920 x 1080 30 fps at 1280 x 1024 30 fps at 1280 x 720 30 fps at 800 x 600 30 fps at 720 x 480 30 fps at 640 x 480 30 fps at 352 x 240 30 fps at 320 x 240
Multi-Streaming	Simultaneous quad streams
Bit Rate Mode	Constant, Variable
Wide Dynamic Range	Extreme WDR (130 dB)
Image Enhancement	White Balance, Brightness, Contrast, Sharpness
Digital Noise Reduction	2D + 3D DNR
Privacy Mask	Yes
Text Overlay	Yes
Built-in Analytics	Deep Learning : Face Recognition, Face Detection, People Detection, Vehicle Detection, Object Based Motion Detection, Tampering Detection, Object Line Crossing Detection, Object Area Counting, Intrusion Detection (Forbidden Area Detection), Missing Object Detection, Unattended Object Detection, Object Loitering Detection, People Counting, People Line Crossing Detection, People Enter Area Detection, People Incorrect Direction Detection, People Loitering Detection, People Tracking, Vehicle Counting, Vehicle Line Crossing Detection, Vehicle Enter Area Detection, Vehicle Incorrect Direction Detection, Vehicle Loitering Detection, Vehicle Tracking, Stopped vehicle detection, License Plate Detection, Automatic License Plate Recognition
Image Orientation	Flip, Mirror, Rotation (Corridor mode) (90°, 180°, 270°)

**Audio**

Audio Type	2-way, Stereo Line-in, Line-out
Audio Compression	G.711, G.726, AAC, PCM

**Network**

Network Protocol & Service	IPv4, IPv6, TCP, UDP, DHCP, PPPoE, HTTP, HTTPS, DDNS, NTP, RTP, RTSP, SMTP, FTP, IGMP, ICMP, ARP, UPnP, QoS, SNMP, IEEE 802.1X
Ethernet Port	1 x Ethernet (10/100 Base-T), RJ-45 pigtail connector

Security	IP address filtering, HTTPS encryption, Password protected user level, IEEE 802.1X network access control
----------	---

## Event

Event Trigger	Video motion detection, External device through digital input, Sound detection, Intelligent event detection
Event Response	E-mail notification with snapshots, Save video to local storage, Upload snapshot to FTP server, Activate external device through digital output

## System

Watchdog	Support
----------	---------

## Integration

Unified Solution	Fully compatible with ACTi software
Edge Recording	Support (integration with NVR by ONVIF Profile G)
ONVIF Compliant	Yes, Profile S, Profile G, Profile T, Profile M
Web Browser	Microsoft Edge(IE mode), Microsoft Edge, Google Chrome, Firefox

## Storage

User Database	User Capacity: 10,000 (up to 5 images per person)
---------------	---

## Interface

Audio Interface	1/1, 3.5mm Phone Jack
Local Storage	MicroSD, MicroSDHC, MicroSDXC Memory Card Slot (card not included, up to 256GB, Kingston or Sandisk only)
Digital Input/Output	2/1 (Terminal block)
Operating Button	Reset Button

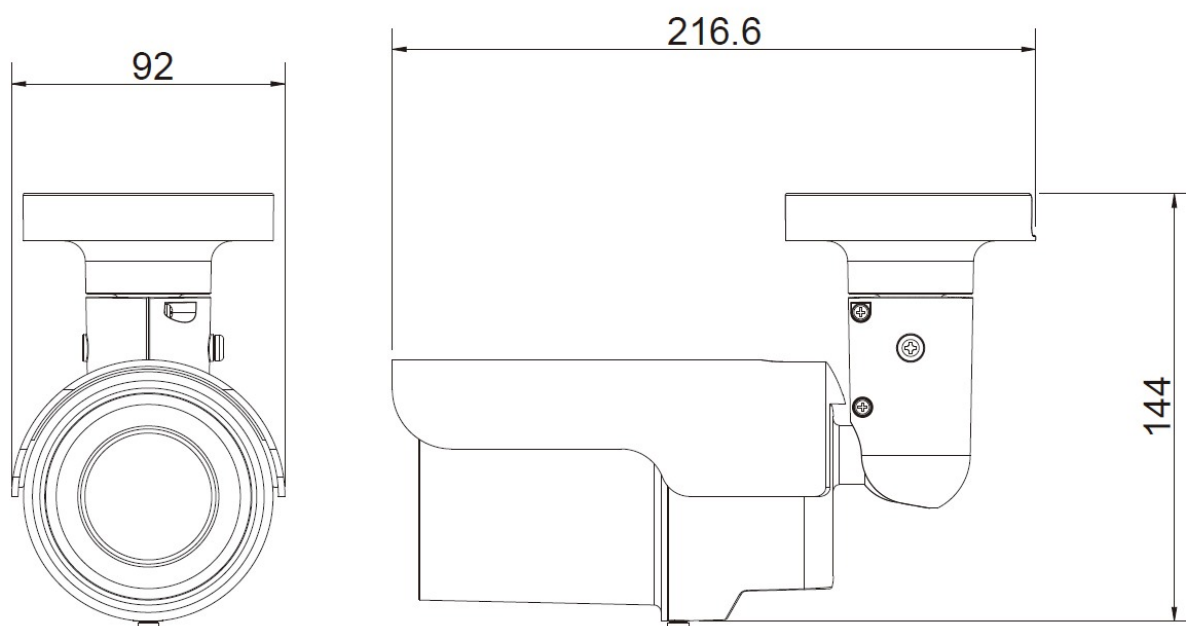
## General

Power Source	DC 12V, AC 24V, PoE Class 0 (IEEE802.3af)
Power Consumption	16.37 W (DC), 14.30 W (AC), 12.95 W (PoE)
Weight	824g (1.82lb)
Dimensions	(Ø x L): 92mm x 224.6mm (3.62" x 8.84")
Environmental Casing	Weatherproof (IP66)
Mount Type	Pole Mount (More info: <a href="https://www.acti.com/mountingselector">https://www.acti.com/mountingselector</a> )
Heater	Yes
Starting Temperature	-55°C ~ 55°C (-67°F ~ 131°F)
Operating Temperature	-55°C ~55°C (-67°F ~ 131°F) heater on, -30°C ~55°C (-22°F ~ 131°F) heater off
Operating Humidity	10% - 90% RH
Approvals	CE Class A, FCC Class A, IP66
Color	White
Real-time Clock (RTC)	Yes
Warranty	3 Year(s). For extended warranty offering, see <a href="http://www.acti.com/support/warranty">http://www.acti.com/support/warranty</a>

### ► Photo Indication



### ► Dimension Diagram



Unit: mm [inch]

## ▶ Related Products

### Mounting Accessories - Camera Mount

PMAX-0534



Pole Mount with Junction Box (for Q450) supports 3.25" to 7.0" Poles

PMAX-0728



Junction Box (for Q450, A426)

**Note:** Some mounting accessories may need additional accessories for installation. Please check [www.acti.com/mountingselector](http://www.acti.com/mountingselector) for more information.

### Power Supply Accessories - Power Adapter

PPBX-0015



Power Adapter AC 100~240V (12V/2A Output), with universal connectors for R21CF-xx

### Power Supply Accessories - PoE Injector

PPOE-0002



PoE Injector IEEE 802.3af compliant, AC 100~240V, with universal connectors