

# Q450

## 8MP Multi-Imager 180 Degree Bullet with D/N, Adaptive IR, Superior WDR, SLLS, 2 Fixed lenses



- 8 Megapixel
- Day & Night with Superior Low Light Sensitivity and Adaptive IR LED
- Fixed Lens with f2.8mm/F1.6
- Superior WDR
- H.265 Compression
- Super wide angle
- Event trigger, response and notification

### ► Specifications

#### Device

Product Type	Multi-Imager 180 Degree Bullet
Maximum Resolution	8MP
Application Environment	Outdoor
Image Sensor	Progressive Scan CMOS
Sensor Size	1/1.8 "
Effective Pixels	2704(H) X 1568(V) (4 MP)
Day / Night	Yes
Low Light Sensitivity	Superior
Minimum Illumination	Color: 0.003 lux; B/W: 0 lux (IR LED on)
Mechanical IR Cut Filter	Yes
IR LED	Adaptive IR LED
IR Working Distance	15m
Electronic Shutter	1-1/10000 second (auto mode)
S/N Ratio	75 dB

**Lens**

Number of Lenses	2 Lenses
Focal Length	Fixed focal, f2.8mm
Aperture	F1.6
Focus	Fixed focus
Horizontal Viewing Angle	182°
Vertical Viewing Angle	57.4°

**Video**

Compression	H.265, H.264, MJPEG
Maximum Frame Rate vs. Resolution	30 fps at 5120 x 1440
Multi-Streaming	Simultaneous quad streams
Wide Dynamic Range	Superior WDR (120 dB)
Digital Noise Reduction	2D + 3D DNR
Video Stitching	Seamless Video Stitching Minimum Stitching Distance: 450 cm
Built-in Analytics	Tampering Detection

**Network**

Network Protocol & Service	IPv4/v6, ARP, ICMP, IGMP, PPPoE, QoS, TCP, UDP, DHCP, UPnP, SNMP, SMTP, RTP, RTSP, HTTP, HTTPS, FTP, NTP, DDNS, IEEE 802.1X
Ethernet Port	1 x Ethernet (1000 Base-T), RJ-45 connector
Security	Password protected user level, IP address filtering, HTTPS encryption, IEEE 802.1X network access control

**Event**

Event Trigger	Video motion detection, Tampering detection, External device through digital input,
Event Response	Send E-mail Notification, Save video to local storage, Upload snapshot to FTP server, Activate external device through digital output

**System**

Watchdog	Support
----------	---------

**Integration**

ONVIF Compliant	Yes, Profile S, Profile G, Profile T
Web Browser	Google Chrome, Firefox

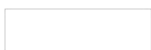
**Interface**

Local Storage	MicroSD, MicroSDHC, MicroSDXC Memory Card Slot (card not included, up to 256GB, Kingston or Sandisk only)
Digital Input/Output	2/1 (Terminal block)
Operating Button	Reset Button

**General**

Power Source	AC 24V, PoE (IEEE802.3af)
--------------	---------------------------

Power Consumption	12.95 W (PoE, IR on), 15.86 W (AC, IR on)
Dimensions	(Ø x L): 140mm x 105.5mm (5.51" x 4.15")
Environmental Casing	Weatherproof (IP66), Vandal proof metal casing (IK10)
Corrosion Protection	Optional for project request. Chassis corrosion resistance at the seashore approximately 2-3 years.
Operating Temperature	-40°C ~ 55°C (-40°F ~ 131°F)
Operating Humidity	10% - 90% RH
Approvals	CE Class A, FCC Class A, IP66, IK10 (metal casing)
Material	Metal Plastic

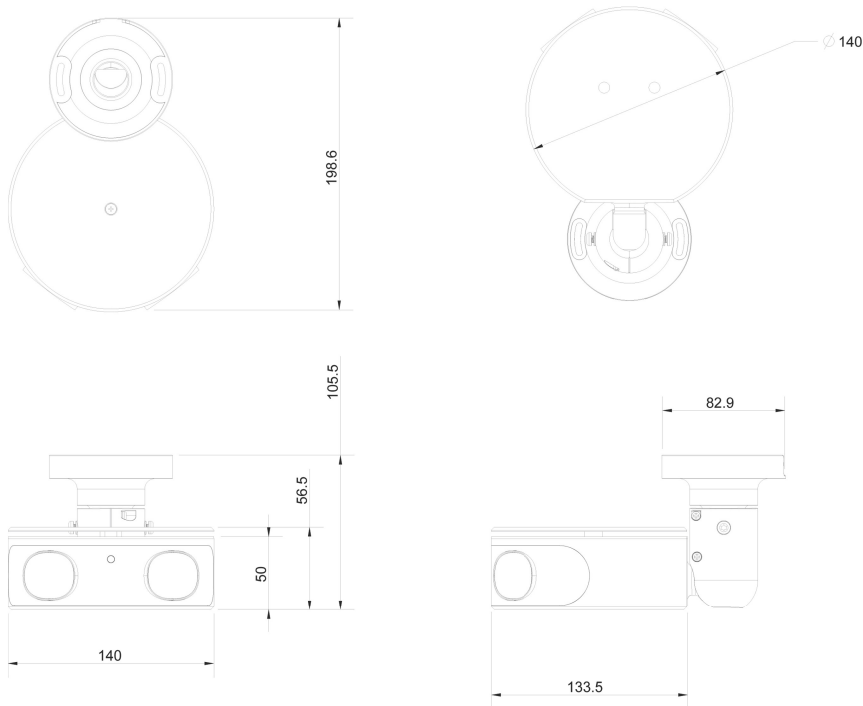


### ► Photo Indication



- 1 Ethernet Port
- 2 Power Connector
- 3 Digital Input / Output

### ► Dimension Diagram



Unit: mm [inch]

## ▶ Related Products

### Mounting Accessories - Camera Mount

PMAX-0534



Pole Mount with Junction Box (for Q450) supports 3.25" to 7.0" Poles

PMAX-0728



Junction Box (for Q450, A426)

**Note:** Some mounting accessories may need additional accessories for installation. Please check [www.acti.com/mountingselector](http://www.acti.com/mountingselector) for more information.

### Power Supply Accessories - Power Adapter

PPBX-0015



Power Adapter AC 100~240V (12V/2A Output), with universal connectors for R21CF-xx

### Power Supply Accessories - PoE Injector

PPOE-0107



High PoE Injector IEEE 802.3at compliant, AC 100~240V, with universal connectors (for A416, A418, B913, B923, B934, Q450, Q75, VMGB-60X, Z37, Z71, Z952)

### Audio Devices - Microphone

PMIC-0100



Active Microphone Omnidirectional for all Cameras with Line-in Audio