

Y31

2MP Analog Mini Bullet with D/N, Extreme WDR, ELLS, Fixed Lens



- 2 Megapixel
- Fixed Lens with f2.8mm/F2.0
- Extreme WDR
- Wide Angle

► Specifications

Device

| | |
|--------------------------|--|
| Product Type | Analog Mini Bullet |
| Maximum Resolution | 2MP |
| Application Environment | Outdoor |
| Image Sensor | Progressive Scan CMOS |
| Sensor Size | 1/3 " |
| Day / Night | Yes |
| Low Light Sensitivity | Extreme |
| Minimum Illumination | Color: 0.02 lux at F2.0 (AGC on); B/W: 0 lux (IR LED on) |
| Mechanical IR Cut Filter | Yes |
| IR Working Distance | 30m |
| Electronic Shutter | 1/30-1/50000 second (NTSC), 1/25-1/50000 second (PAL) |

Lens

| | |
|--------------|---------------------|
| Focal Length | Fixed focal, f2.8mm |
| Aperture | F2.0 |
| Iris | Fixed iris |

| | |
|--------------------------|-------------|
| Focus | Fixed focus |
| Lens Mount | Board mount |
| Horizontal Viewing Angle | 90.5° |
| Vertical Viewing Angle | 49.6° |

Video

| | |
|-----------------------------------|--|
| Maximum Frame Rate vs. Resolution | (TVI/AHD/CVI) 30 fps at 1920 x 1080 (CVBS) NTSC, PAL |
| Wide Dynamic Range | Extreme WDR (130 dB) |
| Image Enhancement | White Balance |
| Digital Noise Reduction | DNR |
| Image Orientation | Flip |

Network

| | |
|---------------|----|
| Ethernet Port | No |
|---------------|----|

Interface

| | |
|---------------------|--|
| Analog Video Output | 1 x BNC connector, supports TVI/AHD/CVI/CVBS |
|---------------------|--|

General

| | |
|-----------------------|--|
| Power Source | DC 12V (adapter not included), plug size 2.1x5.5mm |
| Weight | 135g (0.30lb) |
| Dimensions | (L x W x H): 142mm x 63mm x 65mm (5.59" x 2.48" x 2.56") |
| Environmental Casing | Weatherproof (IP67) |
| Mount Type | Pole Mount, Corner Mount |
| Operating Temperature | -30°C ~ 60°C (-22°F ~ 140°F) |
| Operating Humidity | ≤90% RH |
| Surge Protection | 4KV |
| Approvals | CE Class B, FCC Class B, IP67, UL Listed(*) |
| Material | Plastic |
| Real-time Clock (RTC) | No |
| Warranty | 2 Year(s). For extended warranty offering, see http://www.acti.com/support/warranty |

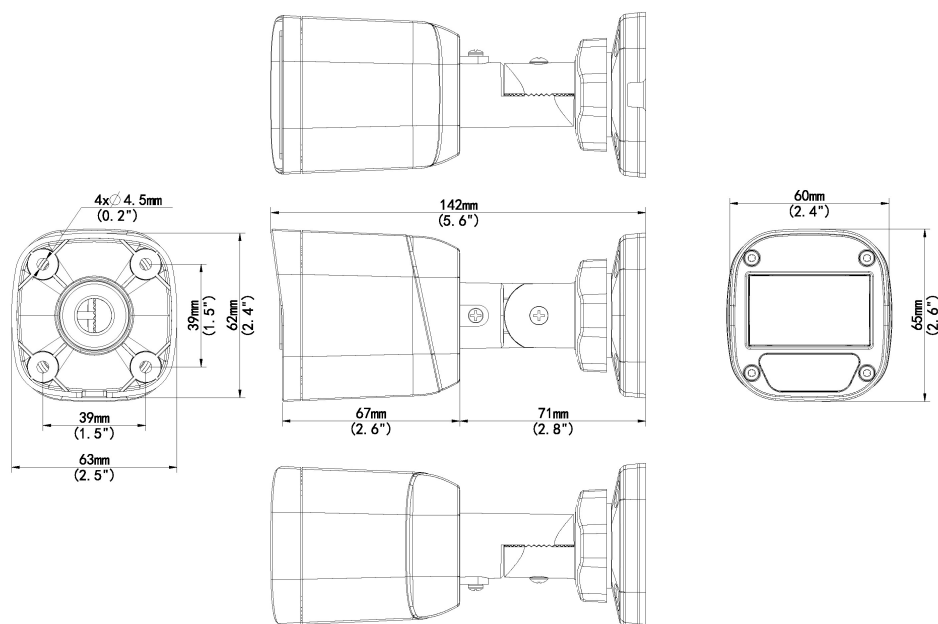
* UL certification will be available in Q1 2024.

► Photo Indication



- 1 DC 12V Power Input
- 2 Analog Video Output Connector

► Dimension Diagram



Unit: mm [inch]

▶ Related Products

Mounting Accessories - Camera Mount


PMAX-0526  Pole Mount (for Z31, Z33, Z34, Z41, Z42)


PMAX-0724  Junction Box (for Z33, Z34)

Note: Some mounting accessories may need additional accessories for installation. Please check www.acti.com/mountingselector for more information.

Power Supply Accessories - Power Adapter

PPBX-0012  Power Adapter AC 100~240V (US), for A3x, A4x, A88, A9x, Z31, Z8x, Z9x

PPBX-0013  Power Adapter AC 100~240V (EU), for A3x, A4x, A88, A9x, Z31, Z8x, Z9x

PPBX-0014  Power Adapter AC 100~240V (UK), for A3x, A4x, A88, A9x, Z31, Z8x, Z9x

PPBX-0026  Power Adapter AC 100~240V (US) for A3x, A4x, A7x, A88, A9x, Z3x, Z4x, Z7x, Z8x, Z9x