

# Z42

## 4MP Zoom Bullet with D/N, Adaptive IR, Superior WDR, SLLS, 4.3x Zoom Lens



- 4 Megapixel
- Day & Night with Superior Low Light Sensitivity and Adaptive IR LED
- 4.3x Zoom Lens, f2.8-12/F1.6, Auto focus (for installation)
- Superior WDR
- H.265 Compression
- Super wide angle
- Event trigger, response and notification

### ► Specifications

#### Device

|                          |                                                                |
|--------------------------|----------------------------------------------------------------|
| Product Type             | Zoom Bullet                                                    |
| Maximum Resolution       | 4MP                                                            |
| Application Environment  | Outdoor                                                        |
| Image Sensor             | Progressive Scan CMOS                                          |
| Sensor Size              | 1/3 "                                                          |
| Effective Pixels         | 2688(H) X 1520(V) (4.09 MP)                                    |
| Day / Night              | Yes                                                            |
| Low Light Sensitivity    | Superior                                                       |
| Minimum Illumination     | Color: 0.01 lux; B/W: 0 lux (IR LED on)                        |
| Mechanical IR Cut Filter | Yes                                                            |
| IR LED                   | Adaptive IR LED x 2 (850 nm)                                   |
| IR Working Distance      | 40m                                                            |
| Electronic Shutter       | 1-1/100000 second (manual mode); 1-1/100000 second (auto mode) |
| S/N Ratio                | 52 dB                                                          |

**Lens**

|                          |                     |
|--------------------------|---------------------|
| Focal Length             | Zoom, f2.8-12mm     |
| Aperture                 | F1.6                |
| Zoom Ratio               | 4.3x optical zoom   |
| Zoom Application         | Camera Installation |
| Iris                     | Fixed iris          |
| Focus                    | Auto focus          |
| Lens Mount               | Board mount         |
| Horizontal Viewing Angle | 102.1° - 28.5°      |
| Vertical Viewing Angle   | 55.3° - 15.5°       |

**Video**

|                                   |                                                                                                                                                                                                                                                                                                                                                                                                                                                                                 |
|-----------------------------------|---------------------------------------------------------------------------------------------------------------------------------------------------------------------------------------------------------------------------------------------------------------------------------------------------------------------------------------------------------------------------------------------------------------------------------------------------------------------------------|
| Compression                       | H.265, H.264 (Baseline/ Main profile), MJPEG                                                                                                                                                                                                                                                                                                                                                                                                                                    |
| Maximum Frame Rate vs. Resolution | 20 fps at 2592 x 1520 20 fps at 2048 x 1520 20 fps at 1920 x 1080 20 fps at 1280 x 720 20 fps at 640 x 360 20 fps at 704 x 576 20 fps at 704 x 288 20 fps at 352 x 288                                                                                                                                                                                                                                                                                                          |
| Multi-Streaming                   | Simultaneous triple streams                                                                                                                                                                                                                                                                                                                                                                                                                                                     |
| Bit Rate Mode                     | Constant, Variable                                                                                                                                                                                                                                                                                                                                                                                                                                                              |
| Wide Dynamic Range                | Superior WDR (120 dB)                                                                                                                                                                                                                                                                                                                                                                                                                                                           |
| Image Enhancement                 | White Balance, Backlight compensation (BLC), Brightness, Contrast, Sharpness, Automatic gain control, Defogging                                                                                                                                                                                                                                                                                                                                                                 |
| Digital Noise Reduction           | 2D + 3D DNR                                                                                                                                                                                                                                                                                                                                                                                                                                                                     |
| Privacy Mask                      | 4 configurable regions                                                                                                                                                                                                                                                                                                                                                                                                                                                          |
| Text Overlay                      | Yes                                                                                                                                                                                                                                                                                                                                                                                                                                                                             |
| Built-in Analytics                | Tampering Detection, Intrusion Detection (Forbidden Area Detection)*                                                                                                                                                                                                                                                                                                                                                                                                            |
| Server-based Analytics            | Object Line Counting, People Counting, Face Detection, Object Based Motion Detection, Tamper, Object Line Crossing Detection, Object Enter Area Detection, Missing Object Detection, Unattended Object Detection, Smoke Detection, Heat Map, Dwell Time, Direction Detection, Automatic License Plate Recognition, People Queue Detection, (Require PC-based or standalone IVS or ALPR Server. Contact ACTi support for recommendations on how to maximize analytical accuracy) |
| Image Orientation                 | Flip, Mirror                                                                                                                                                                                                                                                                                                                                                                                                                                                                    |

**Network**

|                            |                                                                                                                       |
|----------------------------|-----------------------------------------------------------------------------------------------------------------------|
| Network Protocol & Service | IPv4/v6, TCP, UDP, DHCP, HTTP, HTTPS, DNS, DDNS, NTP, RTP, RTSP, RTCP, SMTP, FTP, IGMP, ICMP, ARP, UPnP, QoS, SSL/TLS |
| Ethernet Port              | 1 x Ethernet (10/100 Base-T), RJ-45 pigtail connector                                                                 |
| Security                   | IP address filtering, HTTPS encryption, Password protected user level                                                 |

**Event**

|                |                                                                                                      |
|----------------|------------------------------------------------------------------------------------------------------|
| Event Trigger  | Video motion detection (4 regions), Intelligent event detection.                                     |
| Event Response | E-mail notification with snapshots, Upload snapshot to FTP server, Save video or snapshot to storage |

**Integration**

|                 |                                      |
|-----------------|--------------------------------------|
| ONVIF Compliant | Yes, Profile S, Profile G, Profile T |
| Web Browser     | IE 11                                |

**General**

|                       |                                                                                                                                        |
|-----------------------|----------------------------------------------------------------------------------------------------------------------------------------|
| Power Source          | DC 12V, PoE Class 3 (IEEE802.3af)                                                                                                      |
| Power Consumption     | 6.5 W (PoE)                                                                                                                            |
| Weight                | 877g (1.933lb)                                                                                                                         |
| Dimensions            | (W x H x D): 86.4mm x 75.6mm x 240.3mm (3.4" x 2.98" x 9.46")                                                                          |
| Environmental Casing  | Weatherproof (IP68), Vandal proof metal casing (IK10)                                                                                  |
| Operating Temperature | -30°C ~ 60°C (-22°F ~ 140°F)                                                                                                           |
| Operating Humidity    | 10% - 95% RH                                                                                                                           |
| Approvals             | CE, FCC, EAC, IP68, NEMA 4X, IK10 (metal casing), UL Listed                                                                            |
| Warranty              | 2 Year(s). For extended warranty offering, see <a href="http://www.acti.com/support/warranty">http://www.acti.com/support/warranty</a> |

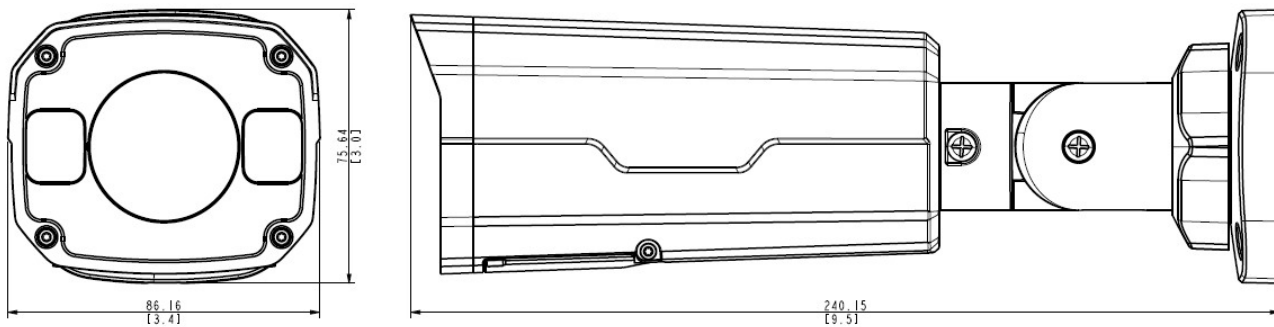
\* Intrusion detection is integrated with ZNR series.

## ▶ Photo Indication



- 1 DC 12V Power Input
- 2 Ethernet Port
- 3 Memory Card Slot

## ▶ Dimension Diagram



Unit: mm [inch]

## ► Related Products

### Mounting Accessories - Camera Mount

PMAX-0527



Pole Mount (for Z4x, Z710, Z8x, Z9x, A7x), supports 2.64" to 5" Poles

PMAX-0725



Junction Box (for Z41, Z42)

**Note:** Some mounting accessories may need additional accessories for installation. Please check [www.acti.com/mountingselector](http://www.acti.com/mountingselector) for more information.

### Power Supply Accessories - Power Adapter

PPBX-0013



Power Adapter AC 100~240V (EU), for A3x, A4x, A88, A9x, Z31, Z8x, Z9x

PPBX-0014



Power Adapter AC 100~240V (UK), for A3x, A4x, A88, A9x, Z31, Z8x, Z9x

PPBX-0026



Power Adapter AC 100~240V (US), for A3x, A4x, A7x, A88, A9x, Z3x, Z4x, Z7x, Z8x, Z9x

### Power Supply Accessories - PoE Injector

PPOE-0107



High PoE Injector IEEE 802.3at compliant, AC 100~240V, with universal connectors (for A416, A418, B913, B923, B934, Q450, Q75, VMGB-60X, Z37, Z71, Z952)