

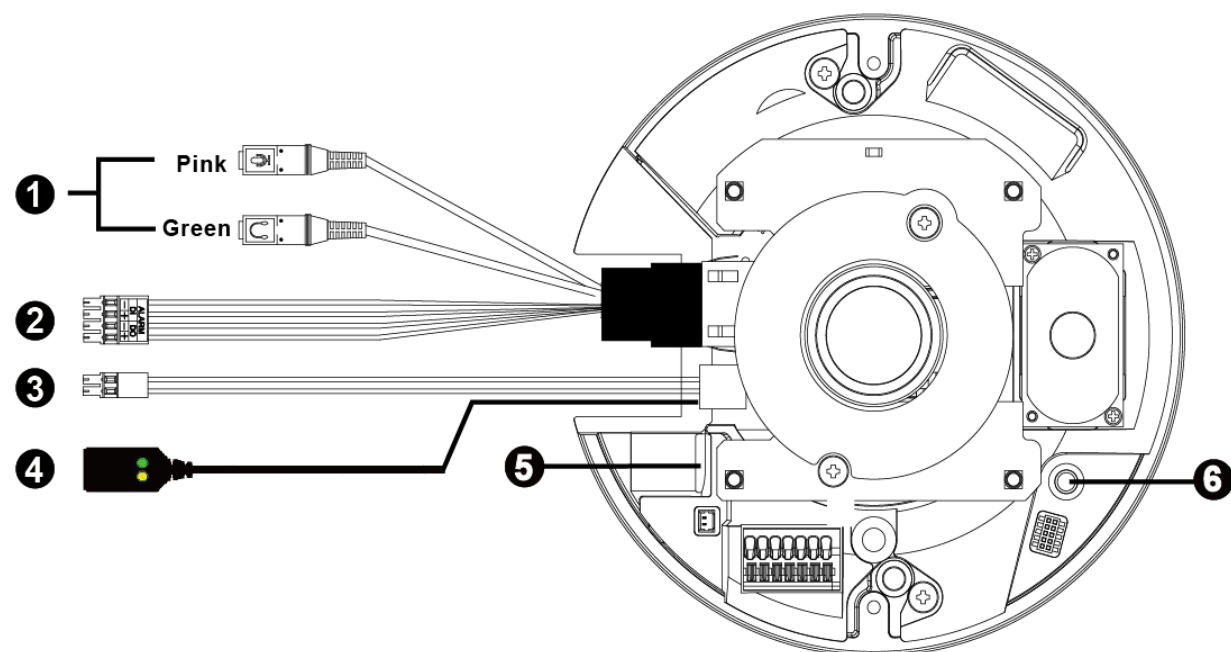
A711 Outdoor Hemispheric Dome Quick Installation Guide

The Quick Guide is for quick installing and connecting the Outdoor Hemispheric Dome Camera. For more details, please refer to the User's Manual of the camera.

Installation Notices

- This camera must be installed by qualified personnel and the installation should conform to all local codes.
- Do not replace batteries of the camera. Risk of explosion may occur if the battery is replaced by an incorrect type.
- Leaving a camera in an extremely high temperature surrounding environment can result in an explosion or the leakage of flammable liquid or gas.
- Camera subjected to extremely low air pressure may result in an explosion or the leakage of flammable liquid or gas.
- Use only power supply and other accessories recommended by the manufacturer.
- The power cord of the adapter should be connected to a socket-outlet with earthing connection.

Camera Overview



No.	Connector	Pin	Definition	Remarks
1	Audio I/O	Pink	Audio In (Line In)	Two-way audio transmission
		Green	Audio Out (Line Out)	
2	Alarm I/O (4-Pin Terminal Block)	1	Alarm In -	Alarm connection * Do NOT connect external power supply to the alarm I/O connector of the camera.
		2	Alarm In +	
		3	Alarm Out -	
		4	Alarm Out +	
3	Power (DC 12V) (2-Pin Terminal Block)	Black	DC 12V -	Power connection
		Red	DC 12V +	
4	RJ-45	-	For network and PoE connections	
5	microSD Card Slot	-	Insert the microSD card into the card slot to store videos and snapshots. Do not remove the microSD card when the camera is powered on.	
6	Reset Button	-	Press the button with a proper tool for at least 20 seconds to restore the system.	

NOTE: It is not recommended to record with the microSD card for 24/7 continuously, as it may not be able to support long term continuous data read/write. Please contact the manufacturer of the microSD card for information regarding the reliability and the life expectancy.

Camera Cabling

Please follow the instructions below for cable connections.

Power Connection

Please use a DC 12V power adaptor and plug it to the camera and the power outlet. Alternatively, users can use an Ethernet cable and connect it to the RJ-45 connector of the camera and a Power Sourcing Equipment (PSE) switch.

NOTE: If the device is powered over Ethernet, make sure the PSE is connected to the network.

Ethernet Cable Connection

Connect one end of the Ethernet cable to the RJ-45 connector of the camera, and plug the other end of the cable to the network switch or PC.

NOTE: In some cases, Ethernet crossover cable might be needed when connecting the camera directly to the PC.

NOTE: Check the status of the link indicator and activity indicator LEDs. If the LEDs are unlit, please check the LAN connection.

Green Power LED : Lights up when the camera is powered up.
Orange Network LED : (1) flashes when data is being transmitted over network, (2) lights up for good network connection.

NOTE: The ITE is to be connected only to PoE networks without routing to the outside plant or equivalent description.

Before Login to the Camera

A client program will be automatically installed to the PC when connecting to the camera. Before logging in to the camera, ensure downloading the ActiveX control is allowed by either changing the ActiveX controls and plug-ins or setting Internet's security level to default.

ActiveX Controls and Plug-ins Settings	Internet Security Level
<p>Step 1: Start the Internet Explorer (IE).</p> <p>Step 2: Select <Tools> from the main menu of the browser. Then click on <Internet Options>.</p> <p>Step 3: Click on the <Security> tab and select <Internet>, and click on <Custom level> to change ActiveX settings.</p> <p>Step 4: Set "ActiveX controls and plug-ins" items to <Prompt> or <Enable>.</p>	<p>Step 1: Start the Internet Explorer (IE).</p> <p>Step 2: Select <Tools> from the main menu of the browser. Then click on <Internet Options>.</p> <p>Step 3: Click on the <Security> tab and select <Internet>.</p> <p>Step 4: Down the page, click <Default Level> and click on <OK> to confirm the setting. Close the browser window, and open a new one later for accessing the IP camera.</p>

Camera Login

The default IP address of the camera is: **192.168.0.100** Therefore, to access the camera for the first time, please set the IP address of the PC as: 192.168.0.XXX; for example:

IP Address: 192.168.0.99
Subnet Mask: 255.255.255.0

Login ID and Password

- Type in corresponding camera IP address into the URL field on the web browser and hit "Enter".
- For initial login, use the default username, "admin", and then setup the password. Follow the on-screen instructions to do so. This username and password will be used for succeeding login. Note that the username and password are case sensitive.

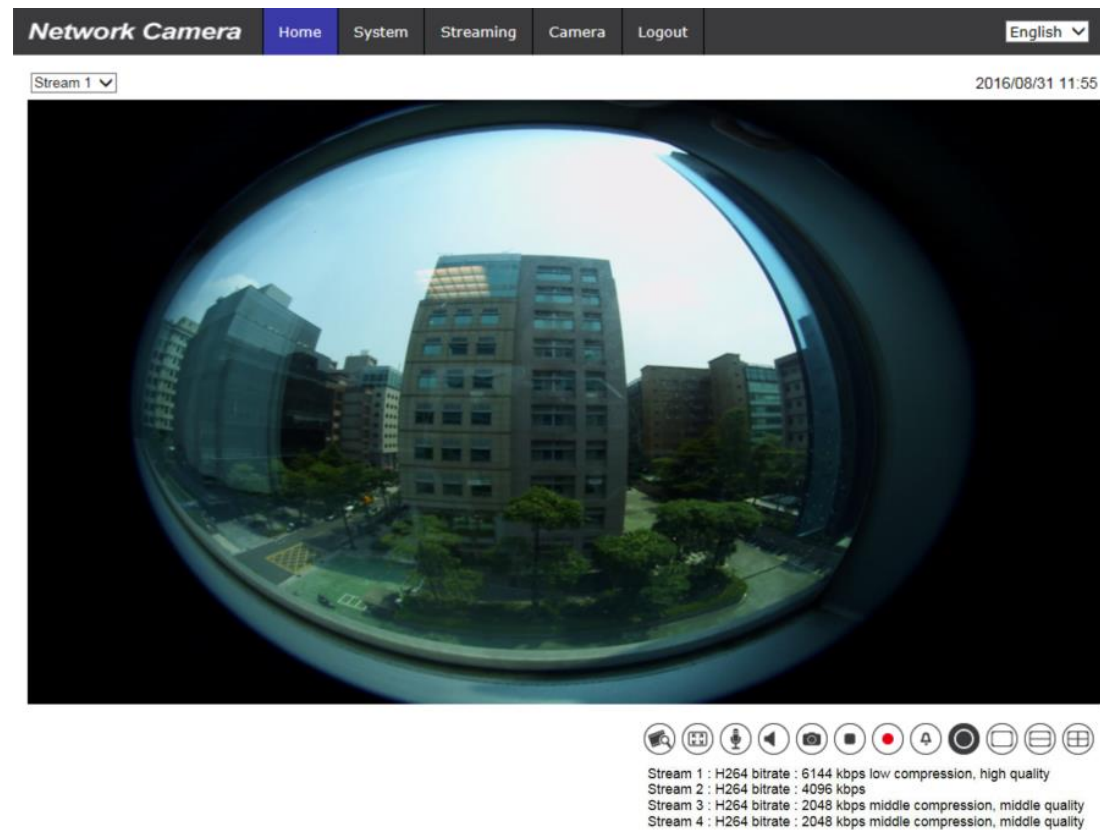
Default Username: admin **Password: (user must setup first)**

Install the ActiveX Control

- After connecting to the camera, the request for installing the ActiveX control will appear just below the URL bar.
- Right click on the information bar, and then click on <Install ActiveX Control...> to permit ActiveX control installation.
- In the pop-up security warning window, click on <Install> to start downloading the software on the PC.
- Click on <Finish> after installation is completed.

Browser-based Viewer

The main page of the IP camera user interface is shown as the figure below. Actual features may vary depending on model.



A711

Outdoor Hemispheric Dome Camera

Quick Installation Guide