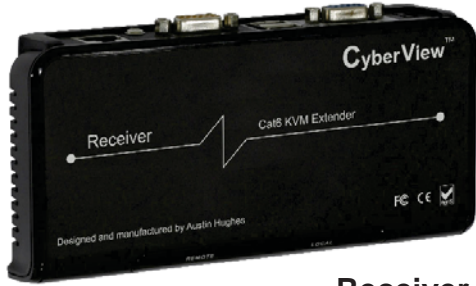


CV-S101



Receiver



Transmitter



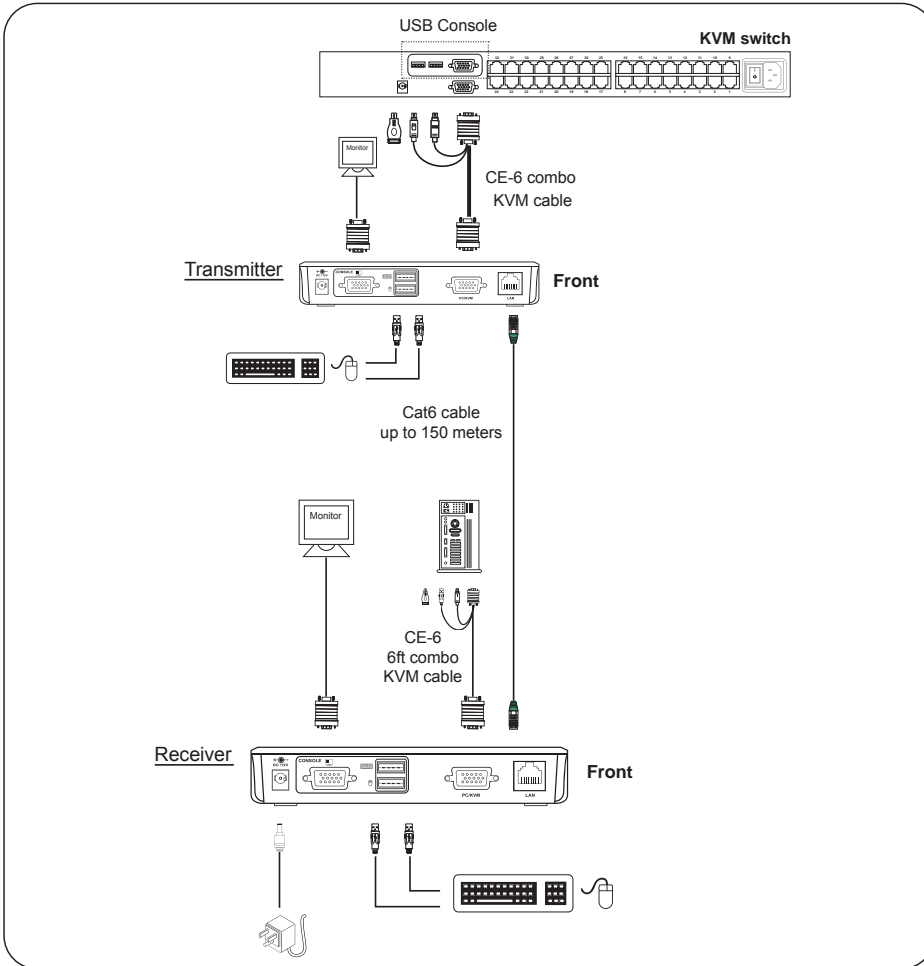
Combo KVM Extender Benefits

- ▶ Remote console up to 150M
- ▶ Dual user access at remote site
- ▶ Pure hardware solution makes network independent
- ▶ No software required

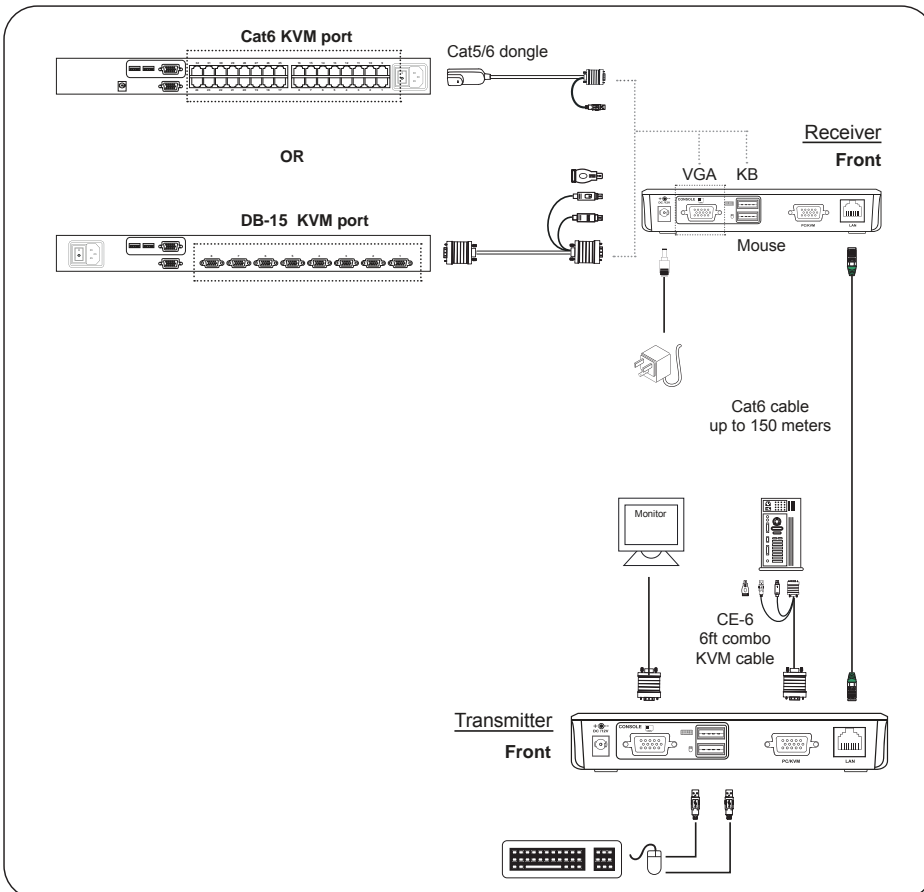
Specification

	Transmitter	Receiver
Console Port	1 x DB-15 VGA, up to 1920 x 1440 2 x USB connector for KB & mouse	1 x DB-15 VGA, up to 1920 x 1440 2 x USB connector for KB & mouse
Remote I / O	1 x RJ-45, connect the Receiver up to 1280 x 1024 resolution (150 meters)	1 x RJ-45, connect the Transmitter up to 1280 x 1024 resolution (150 meters)
Local Computer	1 x DB-15 combo KVM port	1 x DB-15 combo KVM port
LED	Power (blue) On Line (green)	Local (green / red) Remote (green / red)
Power Input	Optional 12V power adapter or from attached local computer	12V power adapter
Power Consumption	Max. 9W	
Operating Temperature	0 to 55°C degree	
Storage Temperature	-20 to 60°C degree	
Operating Humidity	20~90%, non-condensing	
Storage Humidity	5 ~90%, non-condensing	
Operating Altitude	16,000 ft	
Non-operating Altitude	40,000 ft	
Shock	10G acceleration (11ms duration)	
Vibration	5~500Hz 1G RMS random vibration	
Product Dimension	165 x 85 x 32 mm (W x D x H)	
Packing Dimension	317 x 210 x 107 mm (W x D x H)	
Net Weight	200 g (Transmitter) / 200 g (Receiver)	
Gross Weight	1.25 kg	
Safety	FCC & CE certified	
Environment	RoHS2 compliant	

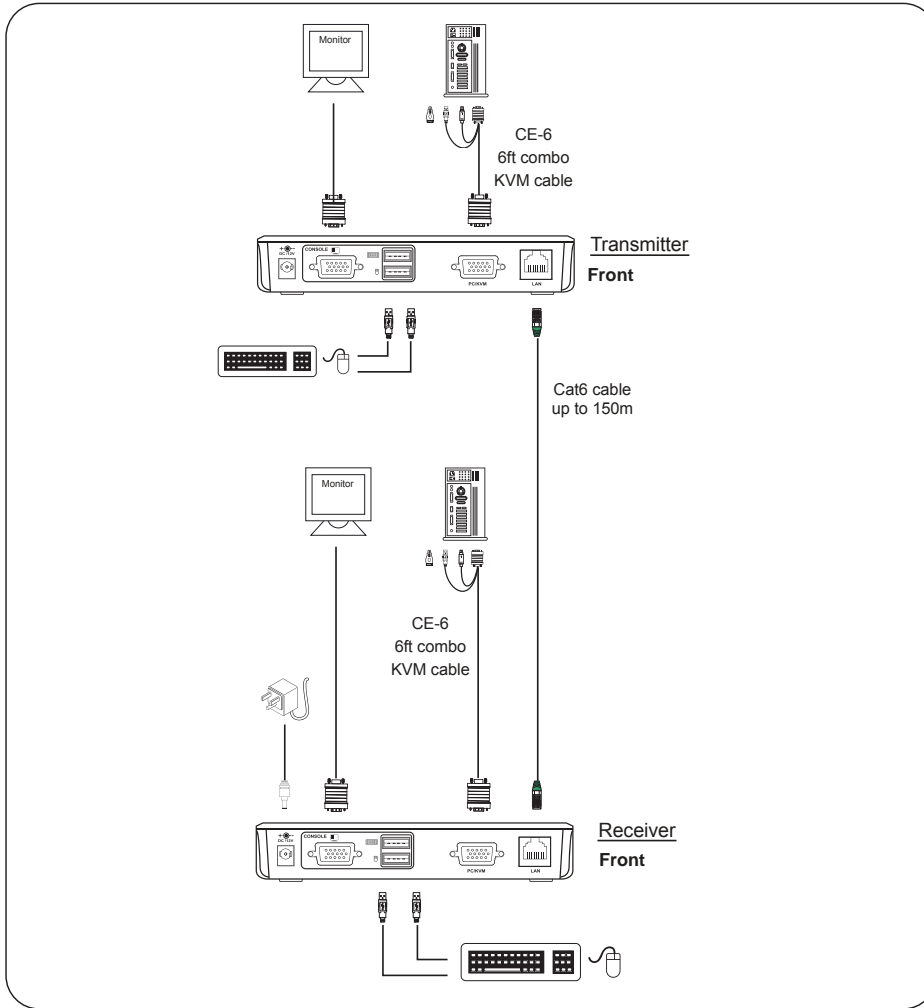
Application < I > - Extending the KVM console port to 150 meters




Application < II > - Extending the computer to KVM port to 150 meters



Application < III > - Extending the computer up to 150 meters



 For detailed product specifications and options, please download the user manual from the link below : www.austin-hughes.com/support/usermanual/cyberview/UM-CV-S101.pdf