

# 8 Port Sensor Controlled Relay (8PRB)

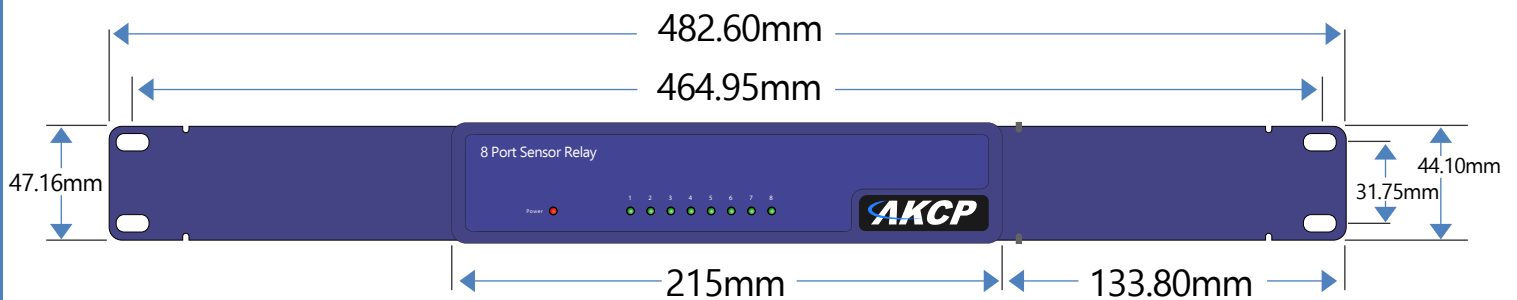
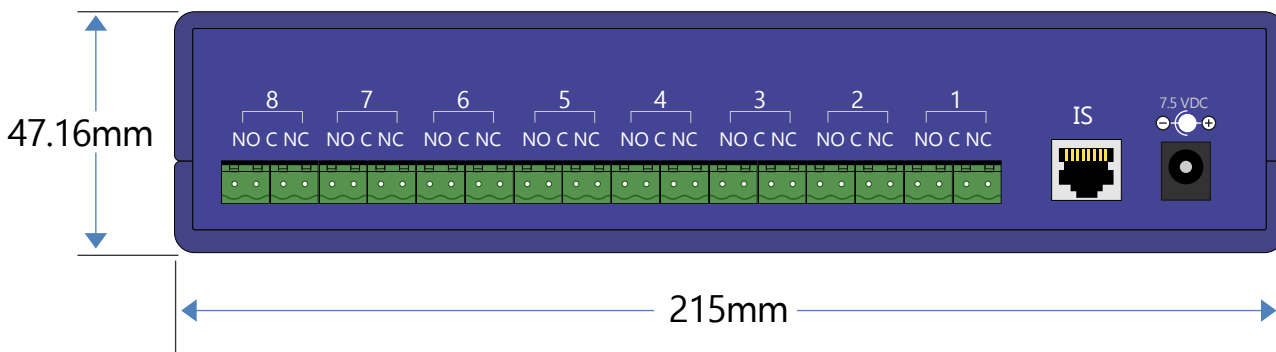
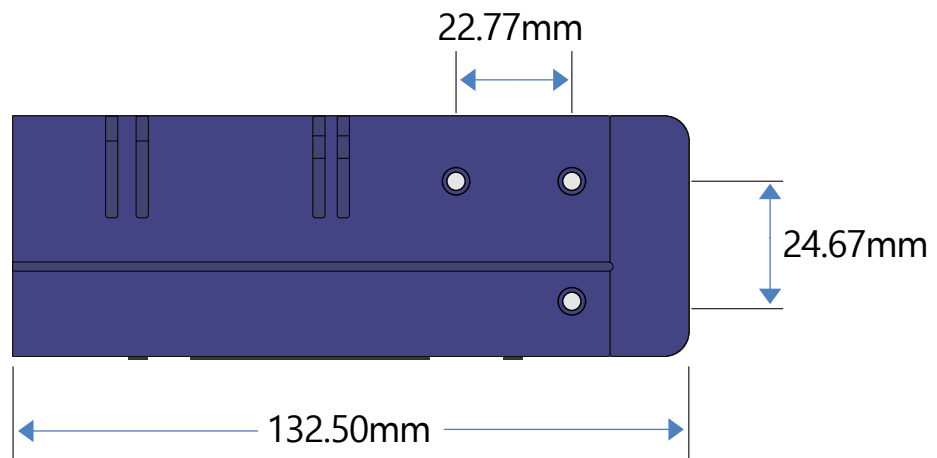
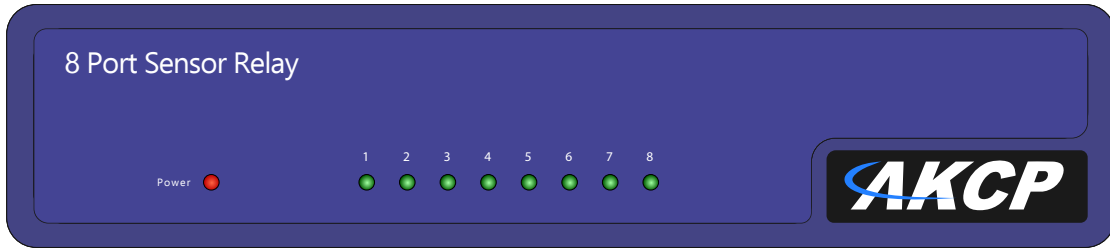


The 8 Port Sensor Relay is specially designed multi-port relay for advanced process control. The 8 Port Sensor Relay is easily controlled by any of AKCP's extensive selection of sensors. The relay can provide automatic responses to sensor status changes. Setting up the sensor controlled relay is easy with its built in autosense feature and user friendly web interface. When an alarm condition is activated the description and location of the fault can be sent via an email or SNMP trap.

## Technical Specifications

Connector	Connector and Contacts rated up to maximum 5A @ 30 VDC, 5A @ 220 VAC 3 pin Phoenix Connectors : NO, NC, COM
Relay Ratings	Contact Material AgCdO Max. Operating Voltage 250 VAC Max. Operating Current 10 Amps Relay Contact Max. Switching Capacity + 16A@250VAC with Resistive Load, + 8A@250VAC with Inductive Load (P.F=0.4)
Status Indication	LEDs indicating the status of each Relay and Power Supply
Operating Temperature	-40°C to 70°C
Storage Temperature	-40°C to 70°C
Endurance	Max. Switching Rate: + 18,000ops./ min. (no load). + 1,800ops./ min. (rated load). Expected Mechanical Life: 20 million ops (no load). Expected Electrical Life: 100,000 ops (rated load).
Interface	
Communications cable :	RJ-45 jack to sensor using UTP CAT5e/6 cable
Power source :	7.5VDC 3A (optional, needed if there are more than 1 relay being used)
Power Consumption :	Typical 2475.00 mWatt, 495.00 mA
Maximum Cable Length :	The 8 Sensor Controlled Relay can be extended from the RJ-45 Intelligent Sensor ports on the base units up to 50 feet, or 15 meters using standard CAT5/6 LAN cable
Dimensions	10.83 x 5.43 x 1.80
Sensor count	8

# 5DCSxx - Technical Drawing



8 Port Sensor Controlled Relay