

16x Opto-Isolated Dry Contacts (E-OP16)



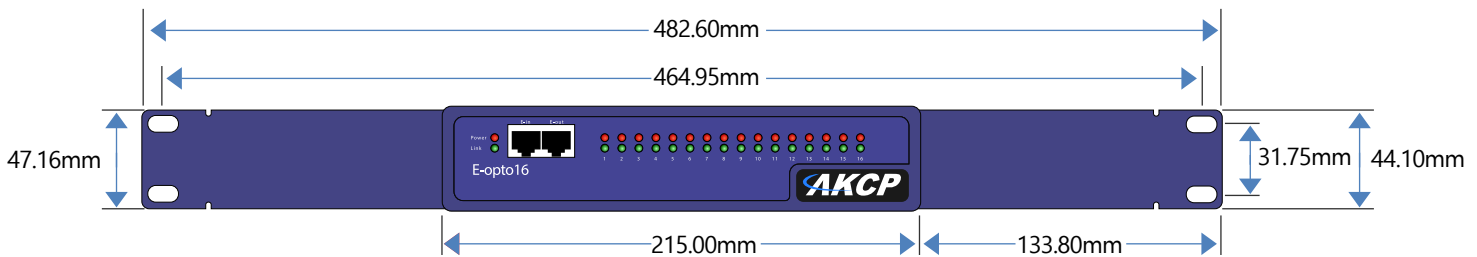
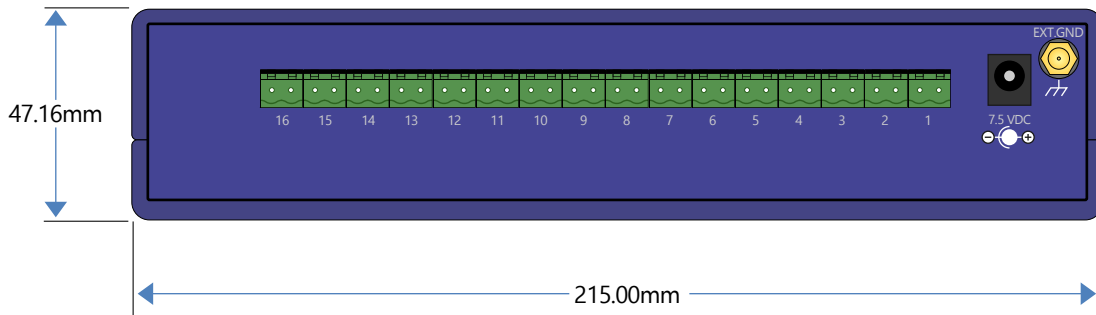
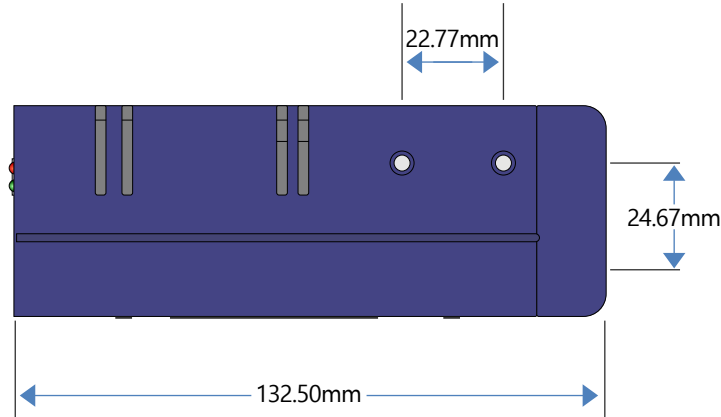
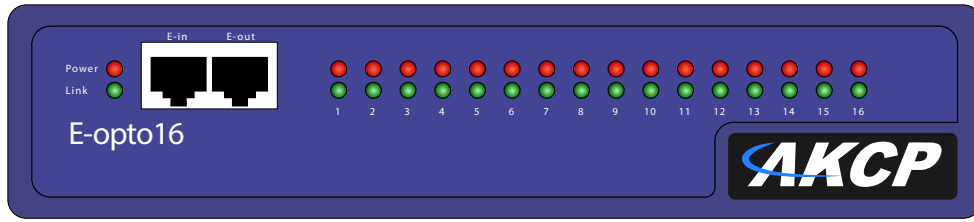
Optically isolated Dry Contact Expansion Unit.

Add isolated dry contacts to your securityProbe or sensorProbeX+. If your main device is some distance from the contacts you wish to monitor, save money and time in cable infrastructure by installing the E-Opto16 close to the contacts you wish to monitor and run only a single CAT5 cable back to the base unit. E-Opto16 devices can be installed up to 1,000ft or 300m from the base unit and daisy-chained with a max distance of 1,000ft or 300 meters between each device.

Technical Specification

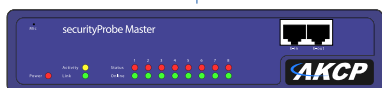
Dimension	Size 8.5 x 5.43 x 1.80 Weight 0.8 Kg
Expansion Port	2x RJ-45 Expansion Ports 115.2K bps Data Transfer Rate
Mounting	1U Rack Mount Standard Rack mount brackets included Compatible with AKCP's DIN and rack mount trays
Power	External 7.0 - 9 VDC 3A Power Adapter Input Voltage and Current ratings : 100V~240V - 1A Typical 5.025 Watt, 0.67A
Status Indication	LED indication for power LED for Expansion port connectivity LED for sensor online and dry contact status
Components	Manufactured using highly integrated, low power surface mount technology to ensure long term reliability.
Operating Environment	Temp : Min. -35° C – Max. +80° C Humidity : Min. 20% – Max. 80% (Non-Condensing)
MTBF	400,000 Hours
Inputs	16x 2 wire dry contact inputs configured as opto-isolated 16x 2 wire dry contact inputs support up to 50 Volts DC and 80mA of current 1x RJ-45 expansion module input (E-in)
Outputs	1 RJ-45 expansion module output (E-out)
E-Modules	* Daisy chain multiple E-modules including E-sensor8 and E-opto16 combined * Uses standard RJ-45 connections and CAT5 LAN cable * Maximum extension cable run length: 300 meters (1000 feet) * Compatible with AKCP's complete line of intelligent sensors * Connect up to 500 AKCP dry contact sensors to one securityProbe5ES * Connect up to 150 AKCP dry contact sensors to one sensorProbe+ (up to 4 expansion units)

E-OP16 - Technical Drawing

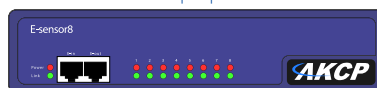


MAX 1,000 feet/300m

MAX 1,000 feet/300m



securityProbe (Master)



E-Sensor8 (EXP)



E-Opto16 (EXP)