

Rope Water Sensor (V2RWSCxx / RWSCxx / LWSCxx)



The rope water sensor comes in two parts, the orange non-sensing cable, and the yellow sensing cable. IP66 rated waterproof connectors join the two sections of rope together. Lay these rope water sensors out around the perimeter of your room, or underneath aisles in your data center to give early warning of potential water leaks and avoid costly damage.

RWSCxx / LWSCxx with additional female connector

Rope water sensors are available in three versions.

V2RWSCxx

This rope water sensor can not be extended, it has no additional female connector for connecting additional rope water sensing cable extensions.

RWSCxx

This rope water sensor can be extended. It has an additional female connector on the end to plugin an extension.

LWSCxx

Rope water sensor with locate capabilities. It can identify the number of feet / meters along the rope the first leak has been detected.



V2RWSCxx without additional female plug for extensions

V2 / RWSCxx - Technical Specifications



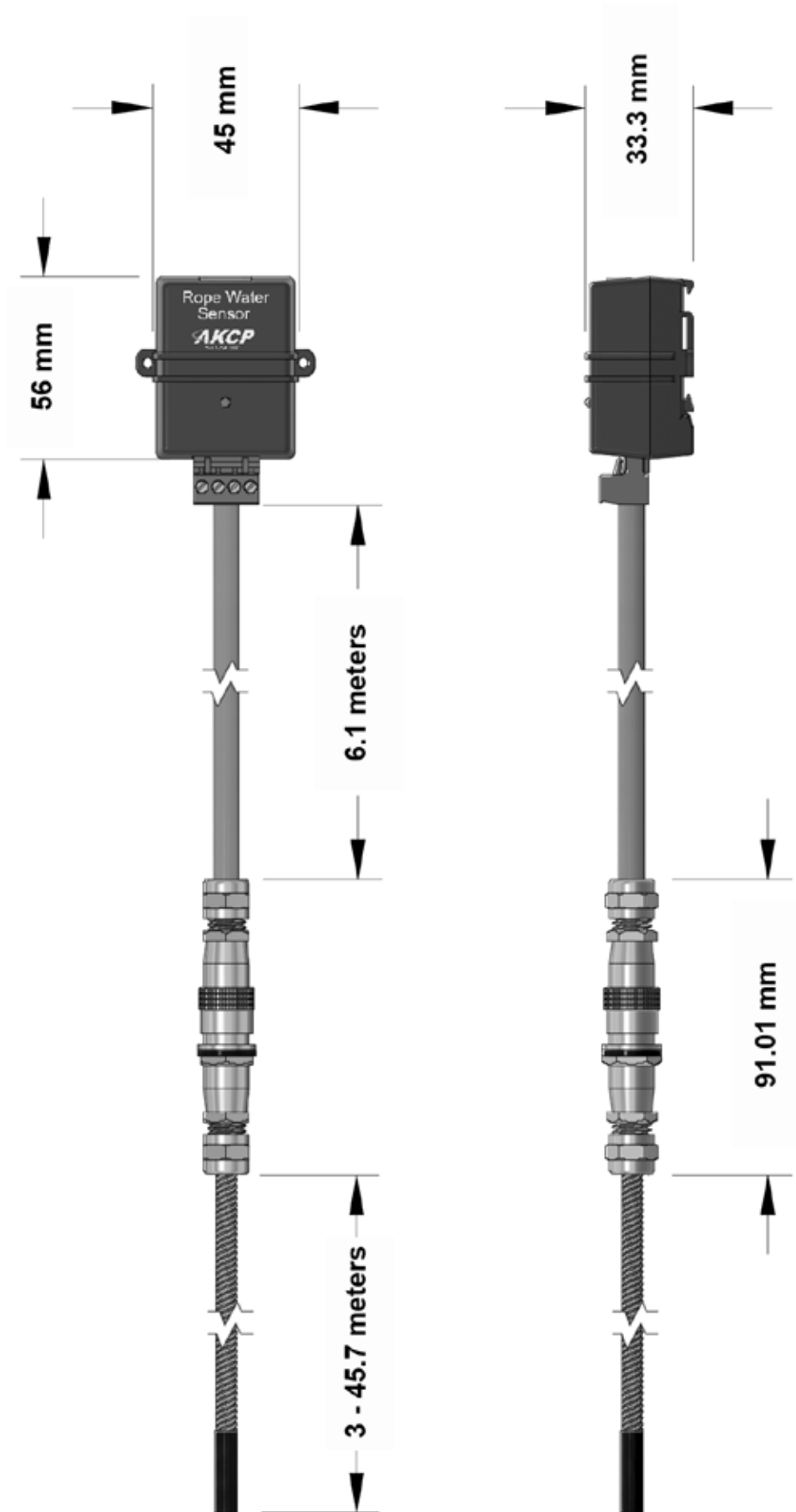
Measurement Range	Wet or Dry
Sensor Type	Open/Closed contact input switch
Measurement Rate	Multiple readings every second
	Able to detect the presence or non-presence of water
Indication	LED for Status
Operating Temperature	-20 °C~60 °C 4 °F~140 °F
Pull Force Limit	Not to exceed 50 lb
Bend Radius	2 in. (50 mm) minimum
Pressure	Loads greater than 20 lb (9 kg) per linear inch at 20°C (68°F) may immediately trigger an alarm
Interface	
Communications Cable	RJ-45 jack to sensor using UTP Cat 5 wire
Communications Cable Max. length	<p>The Rope Water Sensor can be extended from the RJ-45 Intelligent Sensor ports on the base units up to 100 feet, or 30 meters using standard CAT5/6 LAN cable.</p> <p>Comes fully assembled including the Water sensing rope, the non-sensing cable that connects the rope to the sensing module and the main sensing module that connects via CAT5 LAN cable to the sensorProbe+ / securityProbe 5E.</p> <p>Sensing rope cable can be pre-ordered from a 10 feet minimum to any custom run length of up to 100 feet or 30 meters.</p> <p>Non-sensing cable comes in a standard 20 feet run length.</p>
Power Source	Powered by the controller unit. No additional power needed
	Full autosense including disconnect alarm
Power Consumption	Typical 125 mWatt, 25 mA
Dimensions	56 x 55 x 33.3 mm
Mounting	DIN rail mounting Screw mounting
Important Note	AKCP does not recommend the ropeWater Sensor to be placed on a conductive surface. Or nearby power cables that can cause electro magnetic interference with the cable resulting in false alerts.
Sensor count	1



LWSCxx- Technical Specifications

Measurement Type	Wet or Dry Closest location detection
Measurement Rate	Multiple readings every second
Indication	Able to detect the presence of water at specific location LED for Status
Operating Temperature	-20 °C~60 °C 4 °F~140 °F
Pull Force Limit	Not to exceed 50 lb
Bend Radius	2 in. (50 mm) minimum
Pressure	Loads greater than 20 lb (9 kg) per linear inch at 20°C (68°F) may immediately trigger an alarm
Interface	
Communications Cable	RJ-45 jack to sensor using UTP Cat 5 wire
Communications Cable Max. length	The Locate Rope Water Sensor can be extended from the RJ-45 Intelligent Sensor ports on the base units up to 164 feet, or 50 meters using standard CAT5/6 LAN cable. Comes fully assembled and includes the rope portion that is the water sensing cable, the non-sensing area cable (from the rope to the sensing module) and the main sensing module Sensing rope cable can be pre-ordered from a 10 feet minimum to any custom run length (in multiples of 10 feet) of up to 164 feet or 50 meters. Non-sensing cable comes in a standard 20 feet run length.
Power Source	Powered by the controller unit. No additional power needed Full autosense including disconnect alarm
Power Consumption	Typical 125 mWatt, 25 mA
Dimensions	56 x 55 x 33.3 mm
Mounting	DIN rail mounting Screw mounting
Important Note	AKCP does not recommend the ropeWater Sensor to be placed on a conductive surface. Or nearby power cables that can cause electro magnetic interference with the cable resulting in false alerts.
Sensor count	1

V2RWSCxx - Technical Drawing



RWSCxx / LWSCxx - Technical Drawing

