

1 2 3 4 5 6 7 8

A

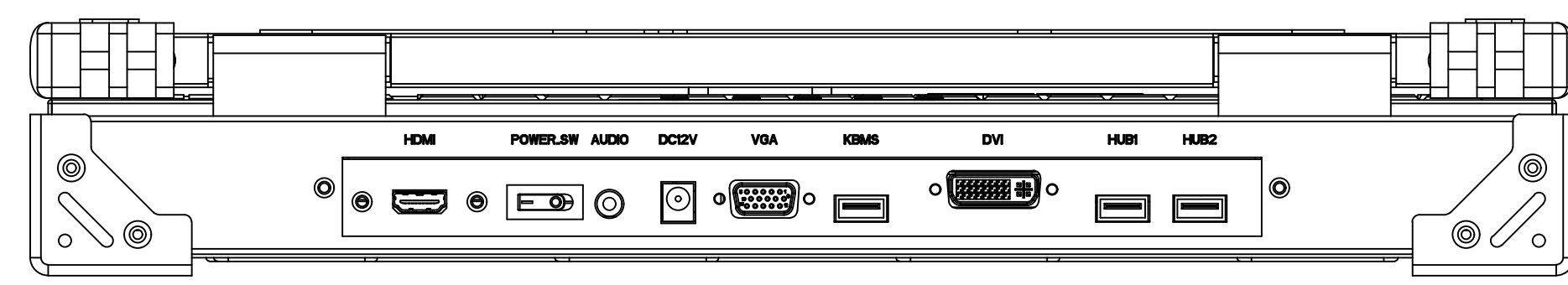
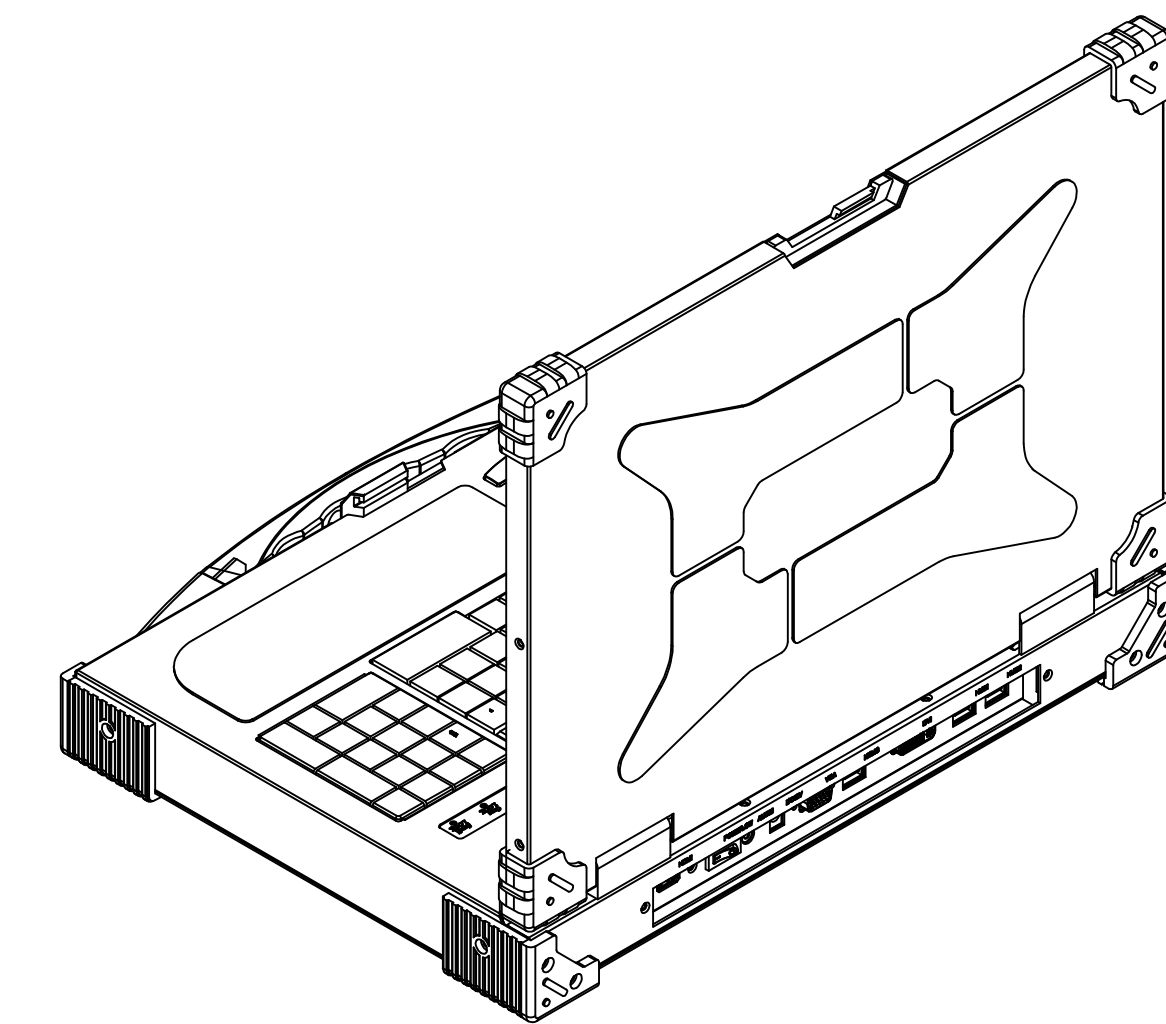
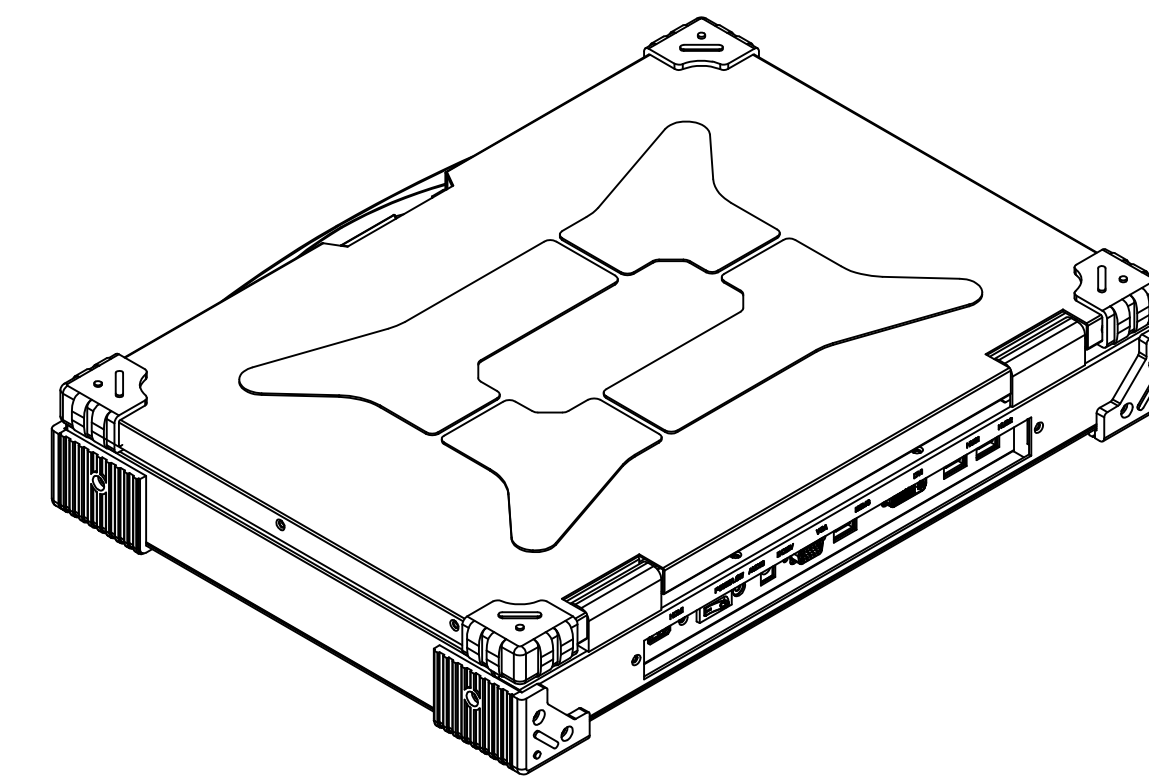
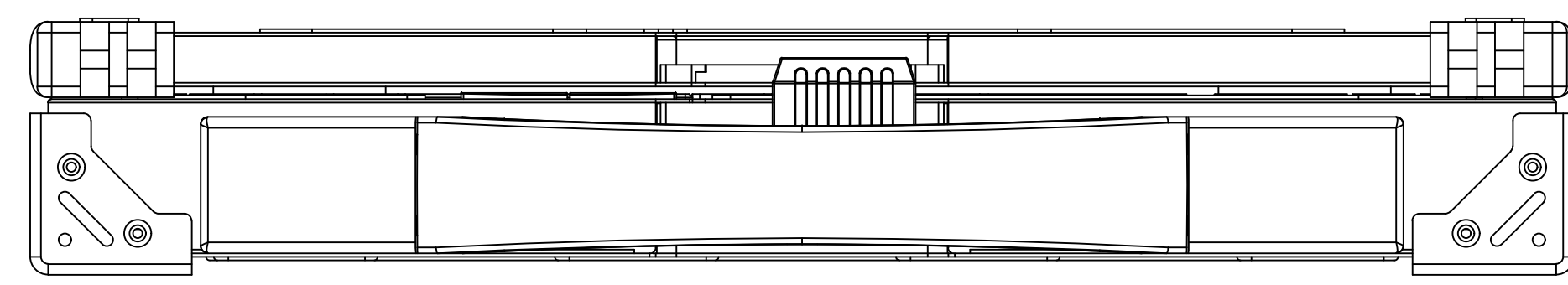
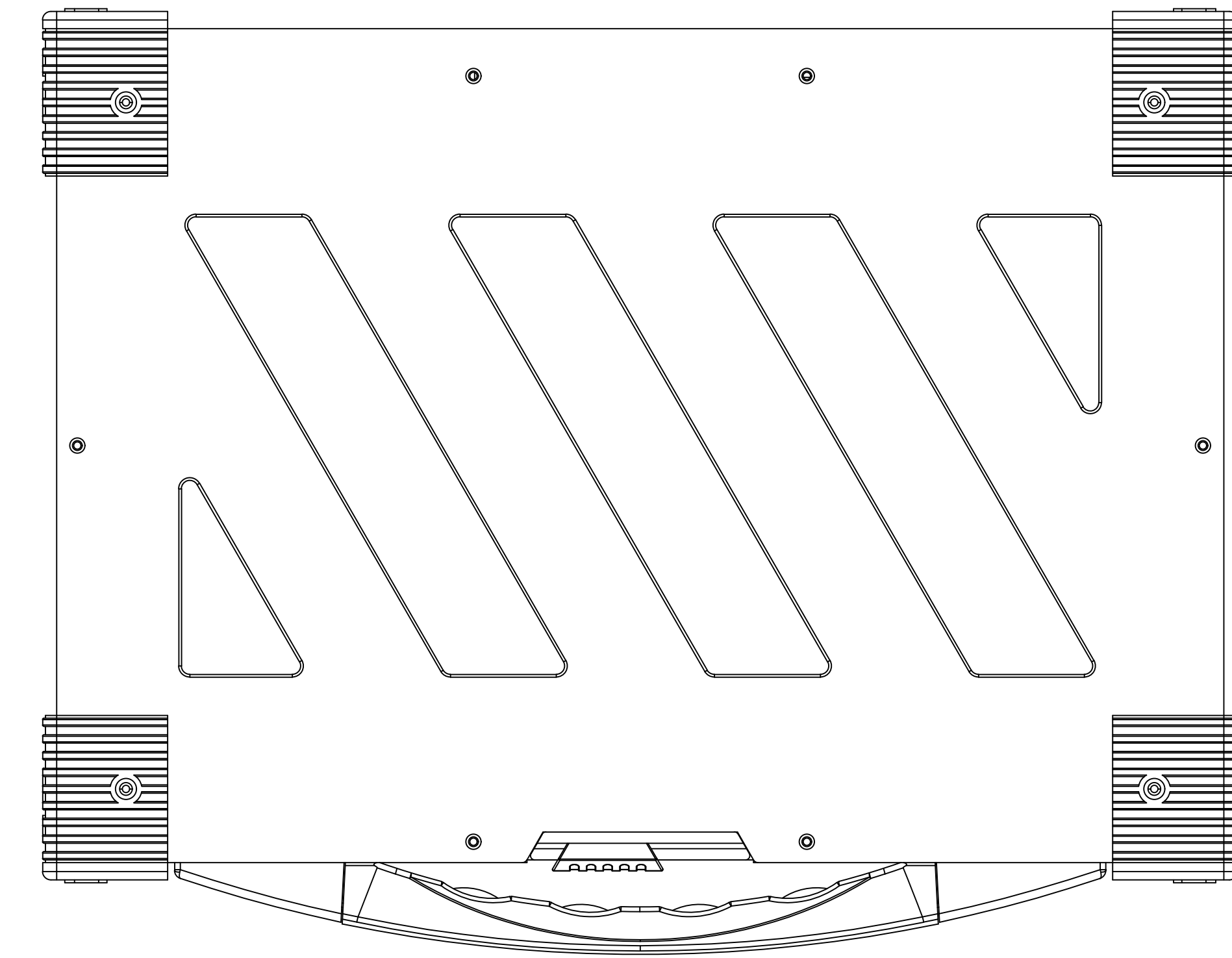
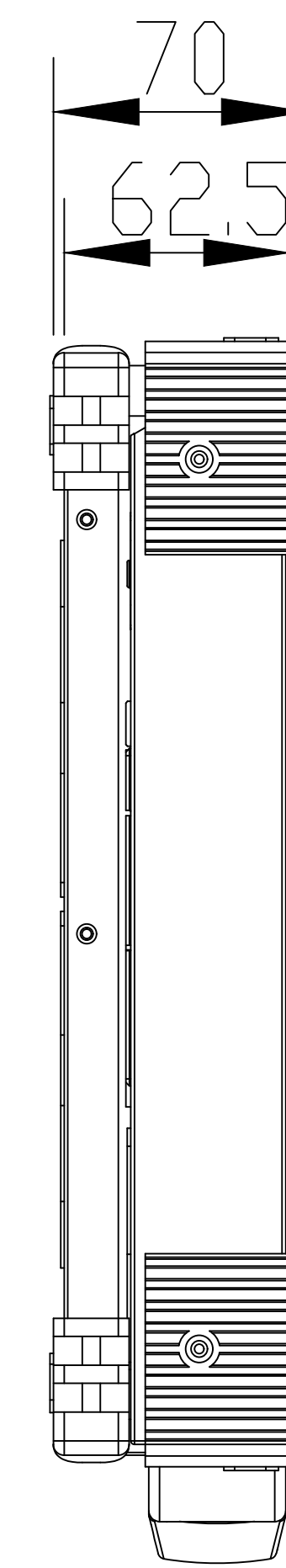
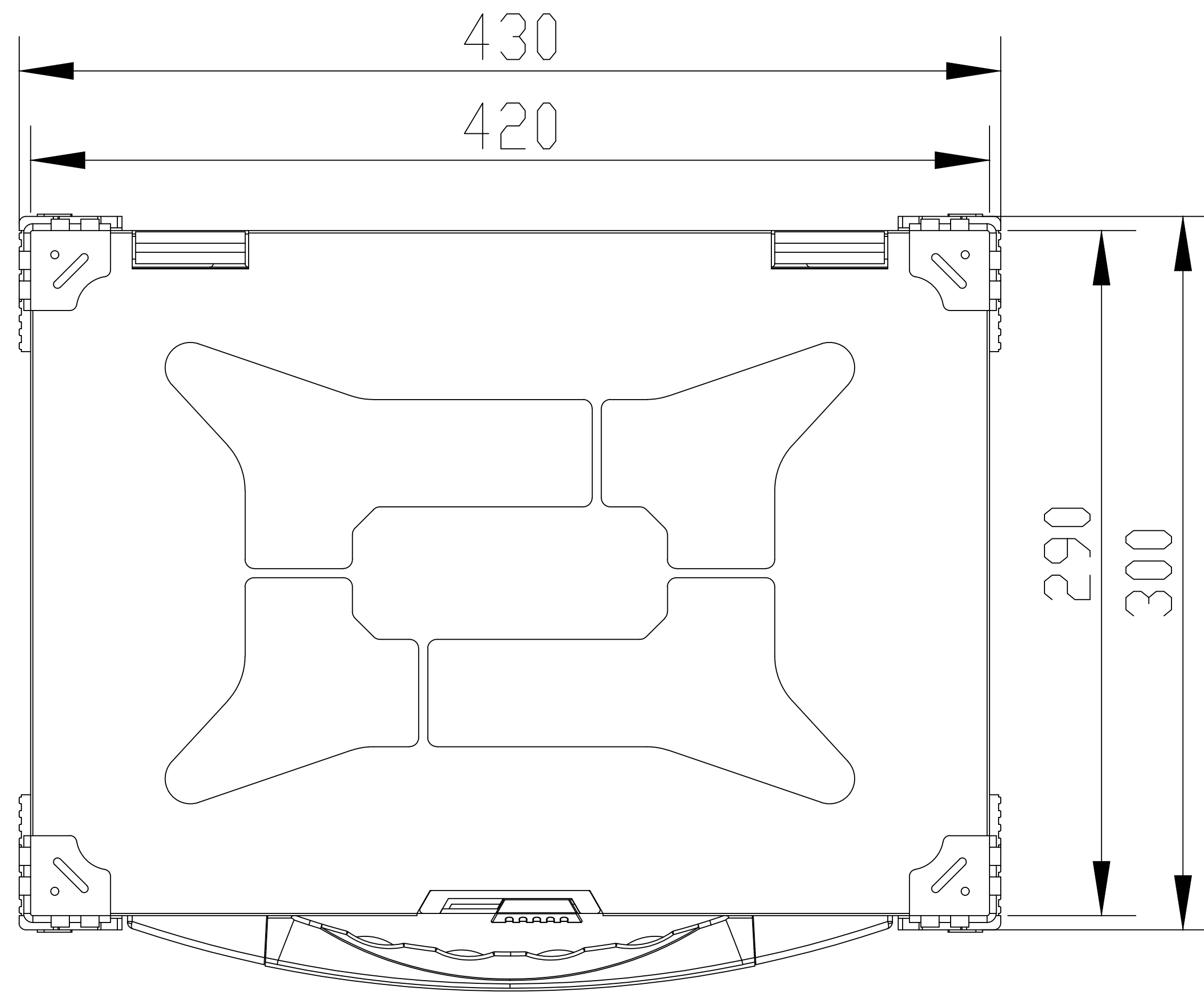
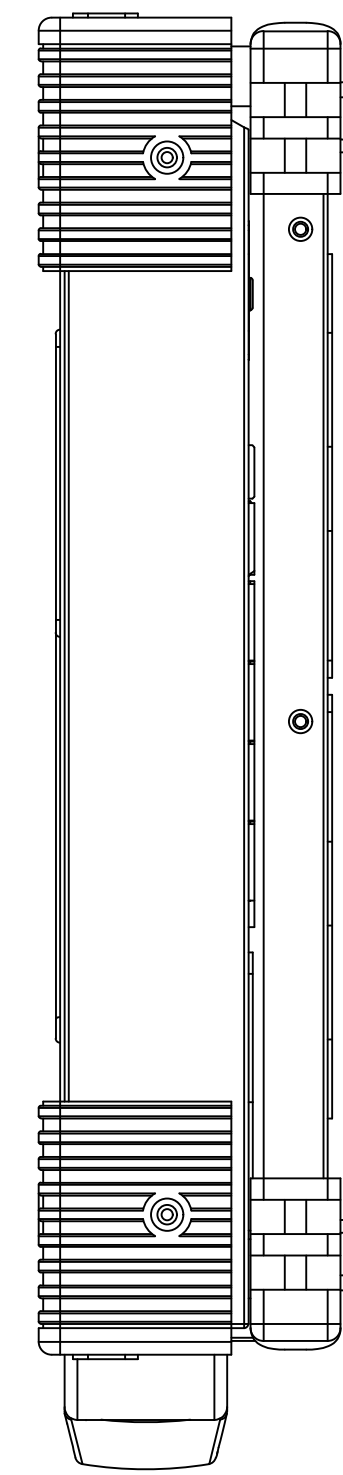
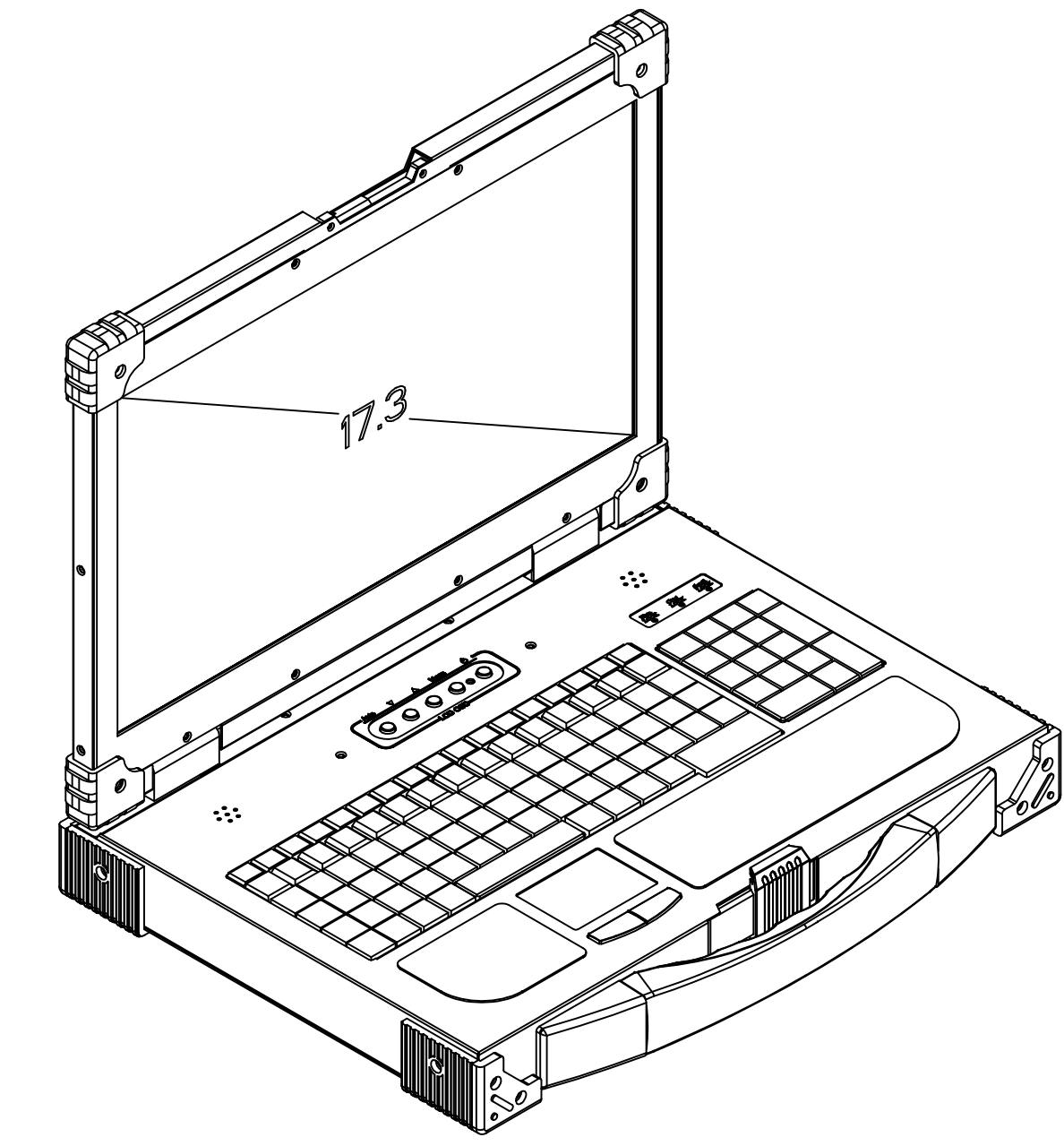
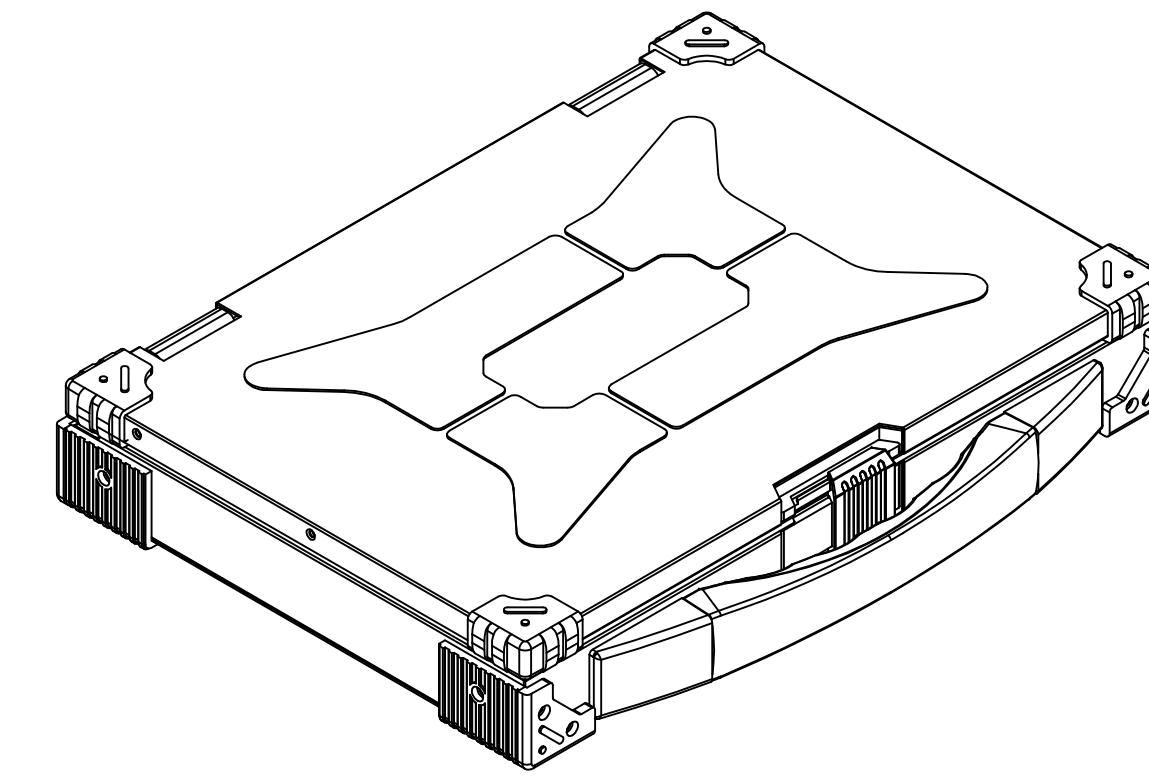
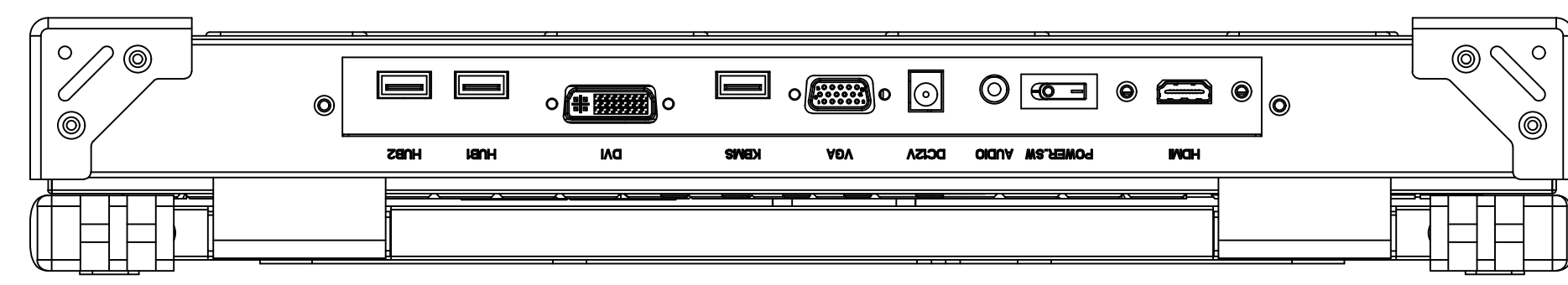
B

C

D

E

F



外观件全铝结构 黑色阳极喷砂

TOL	< 30	: ±0.1	UNIT : mm	FINISHING	黑色阳极喷砂	PART NO.		Ver.	A0	
	30 < 120	: ±0.15		3RD ANGLE'S	MATERIAL		MOLD NO.	KVM-17W01P	Q'ty	1
	120 < 315	: ±0.2		WEIGHT		TITLE	KVM-17W01P-3D3V			
	315 <	: ±0.3		APPROVED			CHECKED	LCH	2020-9-24	DRAWING NO.
	ANGLE TOL	: ±0.5°		DESIGNED		SIZE	A3	SCALE	0.2	SHEET: 1 OF 1



1 2 3 4 5 6 7 8