

# Installation and Operation

## Rack Power Distribution Unit

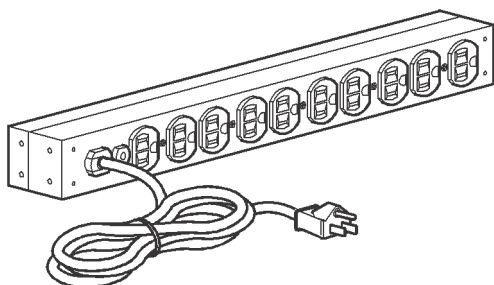
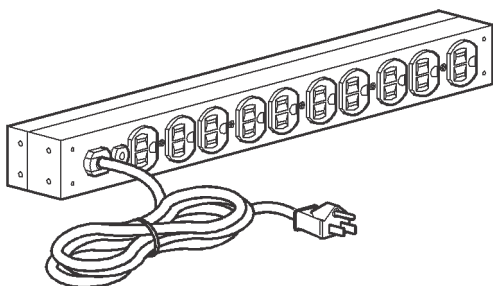
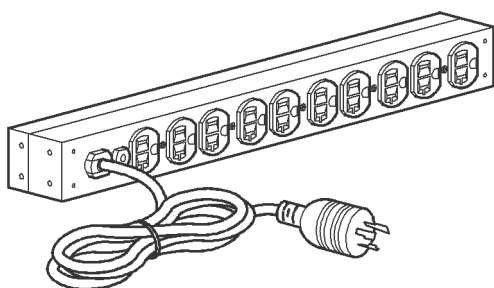
AP9562

AP9563

AP9564

Publication Date: 12/2020

990-1215E-001



**APC**<sup>®</sup>

by **Schneider** Electric

## **APC by Schneider Electric Legal Disclaimer**

The information presented in this manual is not warranted by APC by Schneider Electric to be authoritative, error free, or complete. This publication is not meant to be a substitute for a detailed operational and site specific development plan. Therefore, APC by Schneider Electric assumes no liability for damages, violations of codes, improper installation, system failures, or any other problems that could arise based on the use of this Publication.

The information contained in this Publication is provided as is and has been prepared solely for the purpose of evaluating data center design and construction. This Publication has been compiled in good faith by APC by Schneider Electric. However, no representation is made or warranty given, either express or implied, as to the completeness or accuracy of the information this Publication contains.

**IN NO EVENT SHALL APC BY SCHNEIDER ELECTRIC, OR ANY PARENT, AFFILIATE OR SUBSIDIARY COMPANY OF APC by Schneider Electric OR THEIR RESPECTIVE OFFICERS, DIRECTORS, OR EMPLOYEES BE LIABLE FOR ANY DIRECT, INDIRECT, CONSEQUENTIAL, PUNITIVE, SPECIAL, OR INCIDENTAL DAMAGES (INCLUDING, WITHOUT LIMITATION, DAMAGES FOR LOSS OF BUSINESS, CONTRACT, REVENUE, DATA, INFORMATION, OR BUSINESS INTERRUPTION) RESULTING FROM, ARISING OUT, OR IN CONNECTION WITH THE USE OF, OR INABILITY TO USE THIS PUBLICATION OR THE CONTENT, EVEN IF APC BY SCHNEIDER ELECTRIC HAS BEEN EXPRESSLY ADVISED OF THE POSSIBILITY OF SUCH DAMAGES. APC BY SCHNEIDER ELECTRIC RESERVES THE RIGHT TO MAKE CHANGES OR UPDATES WITH RESPECT TO OR IN THE CONTENT OF THE PUBLICATION OR THE FORMAT THEREOF AT ANY TIME WITHOUT NOTICE.**

Copyright, intellectual, and all other proprietary rights in the content (including but not limited to software, audio, video, text, and photographs) rests with APC by Schneider Electric or its licensors. All rights in the content not expressly granted herein are reserved. No rights of any kind are licensed or assigned or shall otherwise pass to persons accessing this information. This Publication shall not be for resale in whole or in part.

# Contents

---

<b>General Information</b> . . . . .	<b>1</b>
<b>Safety</b> . . . . .	<b>1</b>
Safety and grounding information . . . . .	1
<b>Overview</b> . . . . .	<b>2</b>
Receiving . . . . .	2
Inventory . . . . .	2
Material recycling . . . . .	2
<b>Installation</b> . . . . .	<b>3</b>
<b>Install the Rack PDU</b> . . . . .	<b>3</b>
Horizontal mounting . . . . .	3
Vertical mounting . . . . .	4
<b>Operation</b> . . . . .	<b>5</b>
<b>AP9562</b> . . . . .	<b>5</b>
<b>AP9563</b> . . . . .	<b>5</b>
<b>AP9564</b> . . . . .	<b>6</b>
<b>Mounting Brackets</b> . . . . .	<b>6</b>
<b>Specifications</b> . . . . .	<b>7</b>
<b>Life Support Policy</b> . . . . .	<b>8</b>
<b>General Policy</b> . . . . .	<b>8</b>
<b>Examples of Life-support Devices</b> . . . . .	<b>8</b>
<b>Factory Warranty</b> . . . . .	<b>9</b>
<b>Terms of Warranty</b> . . . . .	<b>9</b>
<b>Non-transferable Warranty</b> . . . . .	<b>9</b>
<b>Exclusions</b> . . . . .	<b>9</b>
<b>Warranty Claims</b> . . . . .	<b>10</b>



# General Information

---

## Safety

### Safety and grounding information

Read the following information before installing or operating your APC by Schneider Electric Rack Power Distribution Unit (PDU).

#### **DANGER**

##### **HAZARD OF ELECTRIC SHOCK, EXPLOSION, OR ARC FLASH**

- The device is intended to be installed and operated by a skilled person in a controlled location with restricted access.
- This PDU is intended for indoor use only.
- Do not install this PDU where excessive moisture or heat is present.
- Never install any wiring, equipment, or PDUs during a lightning storm.
- Plug this PDU into a three-wire, grounded power outlet only. The power outlet must be connected to appropriate branch circuit/mains protection (fuse or circuit breaker). Connection to any other type of power outlet may result in a shock hazard.
- Use only the supplied brackets for mounting, and use only the supplied hardware to attach the mounting brackets.
- Do not use extension cords or adapters with this PDU.
- If a socket-outlet is not accessible to the equipment, a socket-outlet shall be installed.
- Do not work alone under hazardous conditions.
- Check that the power cord, plug, and socket are in good condition.
- Disconnect the PDU from the power outlet before you install or connect equipment to reduce the risk of electric shock when you cannot verify grounding. Reconnect the PDU to the power outlet only after you make all connections.
- Use a protective earth connector with equipment. This type of connector carries the leakage current from the load devices (computer equipment). Do not exceed a total leakage current of 3.5 mA.
- Do not handle any kind of metallic connector before the power has been removed.
- Use one hand, whenever possible, to connect or disconnect signal cables to avoid a possible shock from touching two surfaces with different grounds.
- This unit does not have any user-serviceable parts. Repairs are to be performed only by factory-trained service personnel.

**Failure to follow these instructions will result in death or serious injury.**

## NOTICE

### EQUIPMENT DAMAGE HAZARD

The ambient operating temperature of a closed or multi-unit rack environment may be greater than the ambient temperature of the room. Ensure the ambient operating temperature of your rack environment does not exceed the rated ambient operating temperature for the device.

**Failure to follow these instructions can result in equipment damage.**

Always install the equipment as shown in the Installation Manual.

## Overview

### Receiving

Inspect the package and contents for shipping damage. Make sure all parts were sent. Immediately report any shipping damage to the shipping agent. Report missing contents, product damage, or other problems with the product to APC by Schneider Electric or your APC by Schneider Electric reseller.

### Inventory

Item	Quantity
Basic Rack PDU	1
Horizontal mounting brackets	2
Vertical mounting brackets	2
8-32 flat-head Phillips screws	8

### Material recycling



The shipping materials are recyclable. Please save them for later use, or dispose of them appropriately.

# Installation

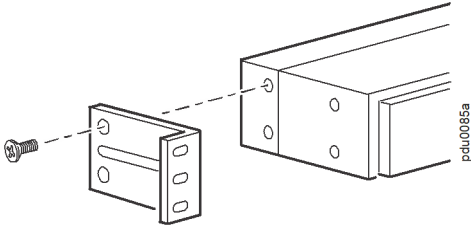
---

## Install the Rack PDU

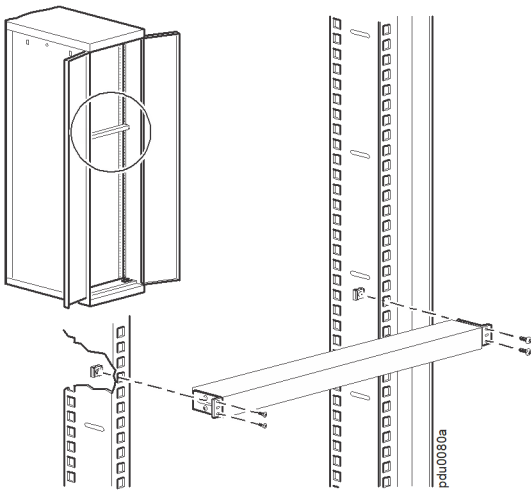
### Horizontal mounting

Install the Rack PDU in a NetShelter® or any standard 19 inch EIA/ECA-310 rack or enclosure, using the mounting brackets (provided).

1. Attach the horizontal-mounting brackets to the Rack PDU.



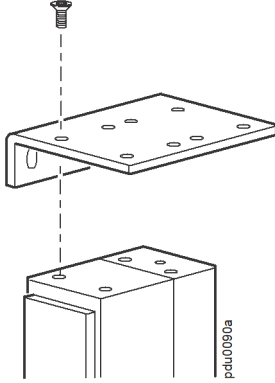
2. Install the Rack PDU using hardware included with your rack or enclosure. The Rack PDU will occupy one U space.



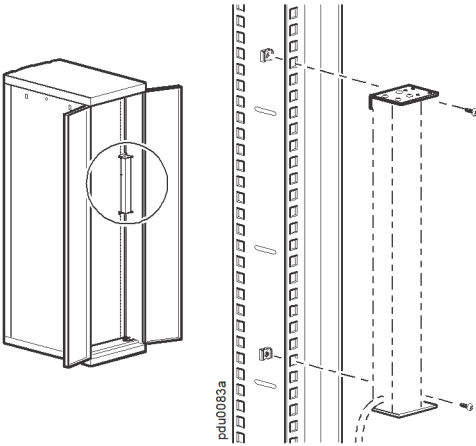
## Vertical mounting

Install the Rack PDU in a NetShelter or any standard 19 inch EIA-310 rack or enclosure, using the mounting brackets (provided).

1. Attach the vertical-mounting brackets to the Rack PDU.



2. Install the Rack PDU on a vertical mounting rail in your rack or enclosure.



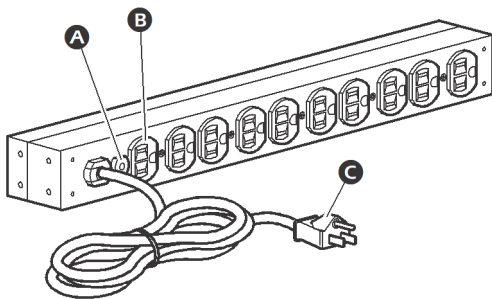


# Operation

---

## AP9562

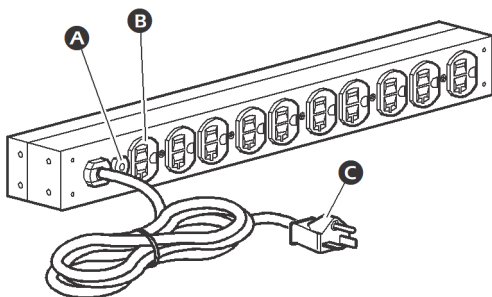
1 U, 15 A, 120 V, 5-15 (10) Basic Rack PDU



- A** One 15 amp circuit breaker
- B** Ten NEMA 5-15 outlets
- C** 3.66 m (12 ft) NEMA 5-15 power cord

## AP9563

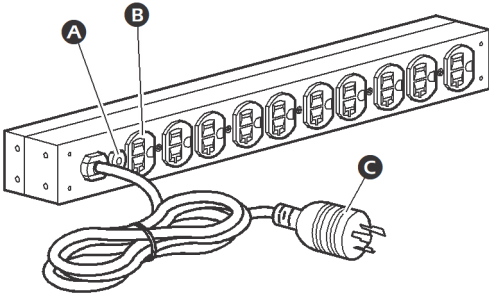
1 U, 20 A, 120 V, 5-20 (10), 5-20P Basic Rack PDU



- A** One 20 amp circuit breaker
- B** Ten NEMA 5-20 outlets
- C** 3.66 m (12 ft) NEMA 5-20 power cord

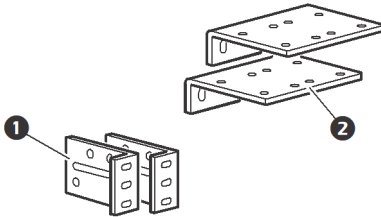
# AP9564

1 U, 20 A, 120 V, 5-20 (10), L5-20P Basic Rack PDU



- A** One 20 amp circuit breaker
- B** Ten NEMA 5-20 outlets
- C** 3.66 m (12 ft) NEMA L5-20 power cord

## Mounting Brackets



- 1** Brackets for horizontal mounting
- 2** Brackets for vertical mounting

**NOTE:** Each rack PDU is packaged with two types of mounting brackets (for horizontal and vertical mounting). Choose your mounting orientation and attach the appropriate brackets to the PDU for installation.

# Specifications

	AP9562	AP9563	AP9564
<b>Electrical</b>			
Input voltage range	100 – 120 V		
Maximum current draw (UL derated)	12 A	16 A	16 A
<b>Physical</b>			
Size (h×w×d)	44×447×57 mm (1.76×17.60×2.25 in)		
Shipping size (h×w×d)	70×464×229 mm (2.75×18.25×9.00 in)		
Weight	2.50 kg (5.50 lb)		
Shipping weight	3.64 kg (8.00 lb)		
<b>Environmental</b>			
Elevation (above MSL)	Operating: 0–3000 m (0–10,000 ft) Storage: 0–15 000 m (0–50,000 ft)		
Relative humidity	Operating: 0 to 95%, non-condensing Storage: 0 to 95%, non-condensing		
Temperature	Operating: –5 to 45° C (23 to 113° F) Storage: –25 to 65° C (–13 to 149° F)		
<b>Compliance</b>			
Safety	cULus Listed, PSE	cULus Listed	

# Life Support Policy

---

## General Policy

APC by Schneider Electric does not recommend the use of any of its products in the following situations:

- In life-support applications where failure or malfunction of the APC by Schneider Electric product can be reasonably expected to cause failure of the life-support device or to affect significantly its safety or effectiveness.
- In direct patient care.

APC by Schneider Electric will not knowingly sell its products for use in such applications unless it receives in writing assurances satisfactory to APC by Schneider Electric that (a) the risks of injury or damage have been minimized, (b) the customer assumes all such risks, and (c) the liability of APC by Schneider Electric is adequately protected under the circumstances.

## Examples of Life-support Devices

The term *life-support device* includes but is not limited to neonatal oxygen analyzers, nerve stimulators (whether used for anesthesia, pain relief, or other purposes), autotransfusion devices, blood pumps, defibrillators, arrhythmia detectors and alarms, pacemakers, hemodialysis systems, peritoneal dialysis systems, neonatal ventilator incubators, ventilators (for adults and infants), anesthesia ventilators, infusion pumps, and any other devices designated as “critical” by the U.S. FDA.

Hospital-grade wiring devices and leakage current protection may be ordered as options on many APC by Schneider Electric UPS systems. APC by Schneider Electric does not claim that units with these modifications are certified or listed as hospital-grade by APC by Schneider Electric or any other organization. Therefore these units do not meet the requirements for use in direct patient care

# Factory Warranty

---

This warranty applies only to the products you purchase for your use in accordance with this manual.

## Terms of Warranty

APC by Schneider Electric warrants its products to be free from defects in materials and workmanship for a period of two years from the date of purchase. APC by Schneider Electric will repair or replace defective products covered by this warranty. This warranty does not apply to equipment that has been damaged by accident, negligence or misapplication or has been altered or modified in any way. Repair or replacement of a defective product or part thereof does not extend the original warranty period. Any parts furnished under this warranty may be new or factory-remanufactured.

## Non-transferable Warranty

This warranty extends only to the original purchaser who must have properly registered the product. The product may be registered at the APC by Schneider Electric Web site, [www.apc.com](http://www.apc.com).

## Exclusions

APC by Schneider Electric shall not be liable under the warranty if its testing and examination disclose that the alleged defect in the product does not exist or was caused by end user's or any third person's misuse, negligence, improper installation or testing. Further, APC by Schneider Electric shall not be liable under the warranty for unauthorized attempts to repair or modify wrong or inadequate electrical voltage or connection, inappropriate on-site operation conditions, corrosive atmosphere, repair, installation, exposure to the elements, Acts of God, fire, theft, or installation contrary to APC by Schneider Electric recommendations or specifications or in any event if the APC by Schneider Electric serial number has been altered, defaced, or removed, or any other cause beyond the range of the intended use.

**THERE ARE NO WARRANTIES, EXPRESS OR IMPLIED, BY OPERATION OF LAW OR OTHERWISE, OF PRODUCTS SOLD, SERVICED OR FURNISHED UNDER THIS AGREEMENT OR IN CONNECTION HERewith. APC BY SCHNEIDER ELECTRIC DISCLAIMS ALL IMPLIED WARRANTIES OF MERCHANTABILITY, SATISFACTION AND FITNESS FOR A PARTICULAR PURPOSE. APC BY SCHNEIDER ELECTRIC EXPRESS WARRANTIES WILL NOT BE ENLARGED, DIMINISHED, OR AFFECTED BY AND NO OBLIGATION OR LIABILITY WILL ARISE**

**OUT OF, APC BY SCHNEIDER ELECTRIC RENDERING OF TECHNICAL OR OTHER ADVICE OR SERVICE IN CONNECTION WITH THE PRODUCTS. THE FOREGOING WARRANTIES AND REMEDIES ARE EXCLUSIVE AND IN LIEU OF ALL OTHER WARRANTIES AND REMEDIES. THE WARRANTIES SET FORTH ABOVE CONSTITUTE APC BY SCHNEIDER ELECTRIC'S SOLE LIABILITY AND PURCHASER'S EXCLUSIVE REMEDY FOR ANY BREACH OF SUCH WARRANTIES. APC WARRANTIES EXTEND ONLY TO PURCHASER AND ARE NOT EXTENDED TO ANY THIRD PARTIES.**

**IN NO EVENT SHALL APC BY SCHNEIDER ELECTRIC, ITS OFFICERS, DIRECTORS, AFFILIATES OR EMPLOYEES BE LIABLE FOR ANY FORM OF INDIRECT, SPECIAL, CONSEQUENTIAL OR PUNITIVE DAMAGES, ARISING OUT OF THE USE, SERVICE OR INSTALLATION, OF THE PRODUCTS, WHETHER SUCH DAMAGES ARISE IN CONTRACT OR TORT, IRRESPECTIVE OF FAULT, NEGLIGENCE OR STRICT LIABILITY OR WHETHER APC BY SCHNEIDER ELECTRIC HAS BEEN ADVISED IN ADVANCE OF THE POSSIBILITY OF SUCH DAMAGES. SPECIFICALLY, APC BY SCHNEIDER ELECTRIC IS NOT LIABLE FOR ANY COSTS, SUCH AS LOST PROFITS OR REVENUE, LOSS OF EQUIPMENT, LOSS OF USE OF EQUIPMENT, LOSS OF SOFTWARE, LOSS OF DATA, COSTS OF SUBSTITUTES, CLAIMS BY THIRD PARTIES, OR OTHERWISE.**

**NO SALESMAN, EMPLOYEE OR AGENT OF APC BY SCHNEIDER ELECTRIC IS AUTHORIZED TO ADD TO OR VARY THE TERMS OF THIS WARRANTY. WARRANTY TERMS MAY BE MODIFIED, IF AT ALL, ONLY IN WRITING SIGNED BY AN APC BY SCHNEIDER ELECTRIC OFFICER AND LEGAL DEPARTMENT.**

## **Warranty Claims**

Customers with warranty claims issues may access the APC by Schneider Electric customer support network through the Support page of the APC by Schneider Electric Web site, **[www.apc.com/support](http://www.apc.com/support)**. Select your country from the country selection pull-down menu at the top of the Web page. Select the Support tab to obtain contact information for customer support in your region.



# Worldwide Customer Support

Customer support for this product is available at  
[www.apc.com](http://www.apc.com)

© 2020 APC by Schneider Electric. APC and NetShelter are owned by Schneider Electric SE. All other trademarks may be property of their respective owners.