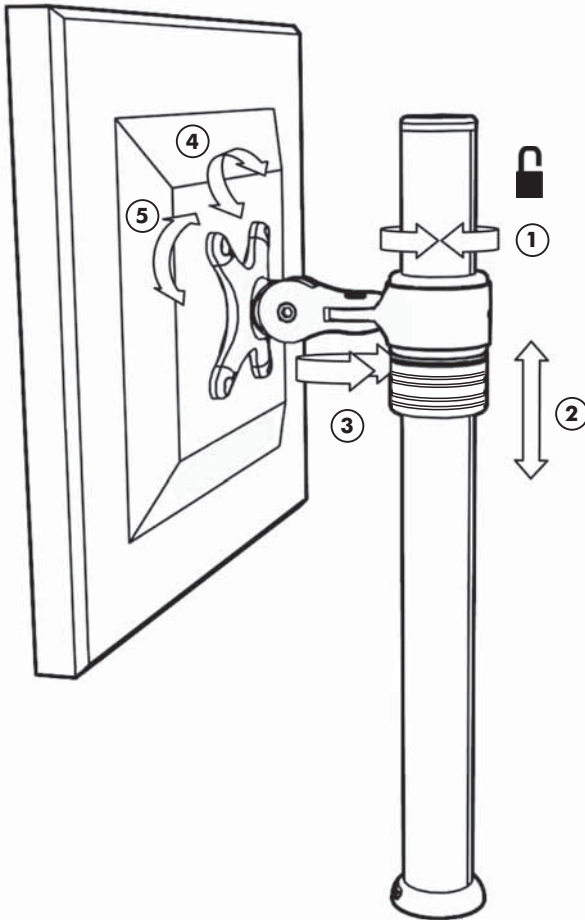


General Features



- ① 360° rotation around mounting pole
(This rotation can be Locked)
- ② 345mm (13.5") height adjustment range
- ③ Pan 140°
- ④ Tilt $\pm 70^\circ$
- ⑤ $\pm 95^\circ$ Portrait/Landscape adjustment

Display Compatibility:

Suits displays from 12" (30cm) to 24" (61cm)

Display Weight Compatibility:

Max. 8kg (17.5lbs)

Display Mounting Options:

Suits 75mm x 75mm to
100mm x 100mm mounting hole patterns

Mounting Options:

Visdec Focus Micro package includes Bolt Through and Desk Clamp mounting options.

- Desk clamp
Suits desktop thicknesses of 0mm-99mm (0"-3.9")
- Bolt Through
Suits desktop thicknesses of 12mm-40mm (0.5"-1.5")

Included Hardware:

All fasteners and mounting hardware is included

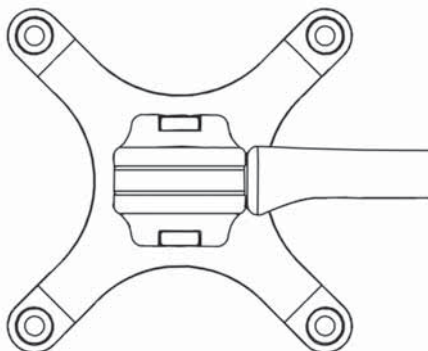
Colours:

Polished Silver

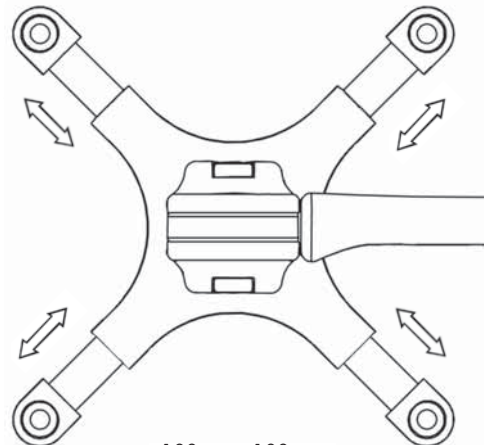
Warranty:

10 years limited.

The FlexiStar™ mechanism

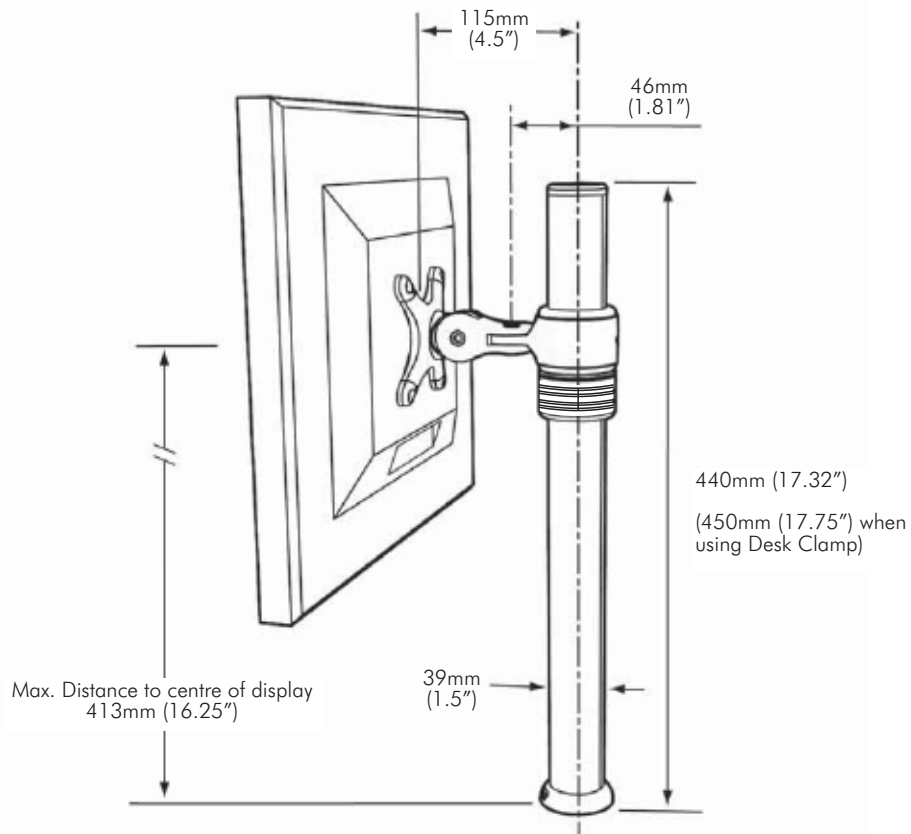


75mm x 75mm
VESA hole pattern



100mm x 100mm
VESA hole pattern

Overall Dimensions



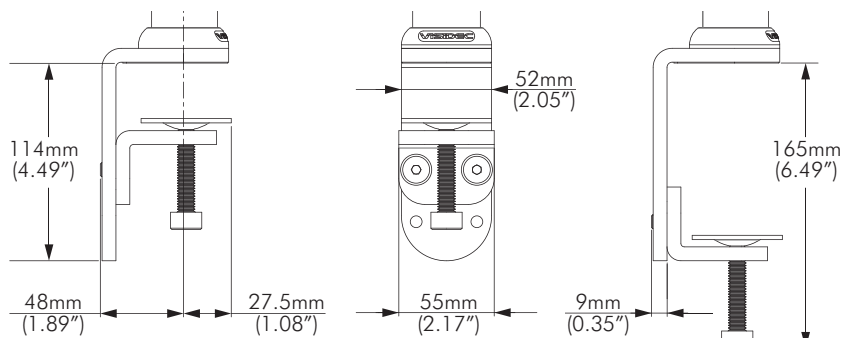
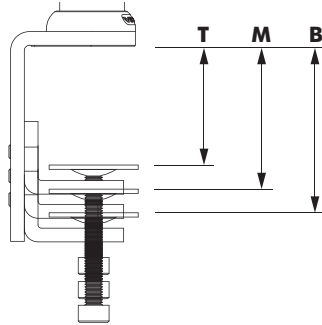
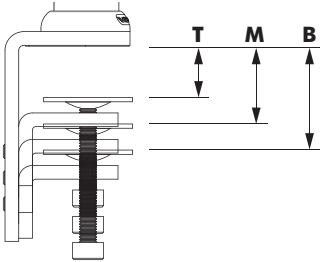
Desk Mounting Options

Desk Clamp

Desk clamp suits the following thicknesses of **0mm-99mm (0"-3.9")**

Top 0 - 32mm (default)
Middle 7 - 47mm
Bottom 22 - 62mm

Top 29 - 69mm
Middle 43 - 84mm
Bottom 59 - 99mm



Bolt Through

Bolt Through suits desktop thicknesses of **12mm-40mm (0.5"-1.5")**

