



This USB 3.2 Gen1 extender set is designed to extend signal from one USB host to multiple USB devices for up to 100 meters (328 feet) when paired with the transmitter from the homologous series.

This receiver enables users to extend up to 4 USB 3.2 devices remotely, such as flash drives, keyboards and USB cameras. With an adapter, USB-C port supports 5V/3A power and USB-A ports provides 5V/0.9A power to USB devices. The unit also supports a hotkey for convenient firmware update from the transmitter side.

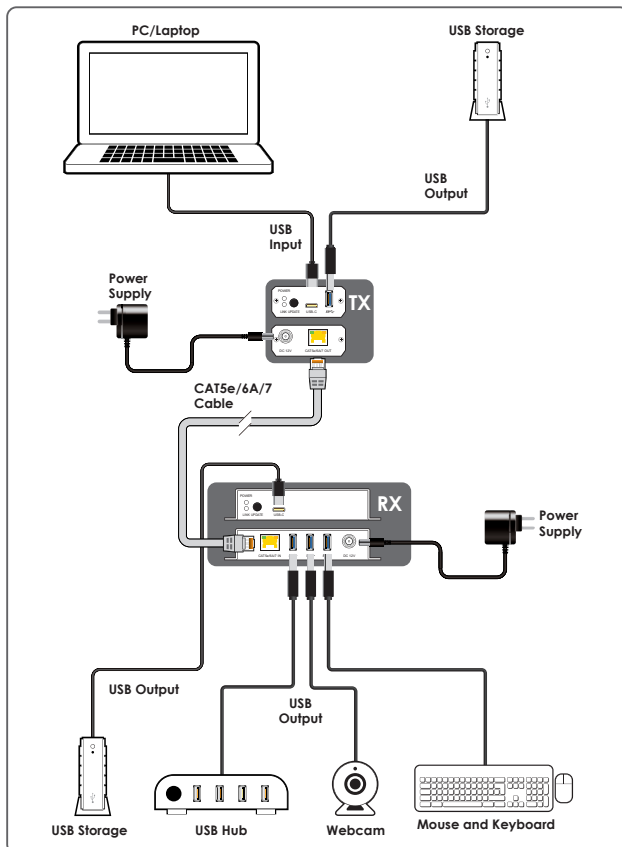
### PANELS



Front View

Rear View

### DIAGRAM



### FEATURES

- Support 4 USB 3.2 Gen1 device ports
- Support Point-to-Point transmission
- Transmission up to 100 meters (328 feet)
- Devices can be controlled by the USB host on a transmitter
- Firmware update with hotkey from the receiver or remote update from the transmitter.
- Backward compatible with USB 2.0

### SPECIFICATIONS

#### RX

Interfaces

**Input Port** 1×Cat5e/6A/7 (RJ45)

**Output Port** 1×USB-C

3×USB-A

USB

**USB Performance** 3.2 Gen1, SuperSpeed 5Gbps

Power

**Power Supply** 12V/3A

**Power Consumption** 39.173W (full load)

Enclosure

**Chassis Material** Metal (Steel)

**Chassis Color** Black

**Dimensions (W×H×D)** 128mm×25mm×75mm [Case Only]  
128mm×25mm×83.5mm [All Inclusive]

**Weight** 275g

Field Firmware Update

PC update and Remote update

### ORDERING INFORMATION

Model No.	Product Description
<b>CH-730TX</b>	USB3.2 over Category Cable Transmitter
<b>CH-730RX</b>	USB3.2 over Category Cable Receiver