

CH-730TX

USB 3.2 over Category Cable Transmitter



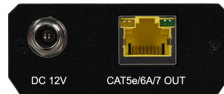
This USB 3.2 Gen1 extender set is designed to extend signal from one USB host to multiple USB devices for up to 100 meters (328 feet) when paired with receiver from the homologous series.

This transmitter enables the extension from the USB-C host to a local USB device and USB devices on the receiver. The transmitter can be powered by a connected host device such as a computer or laptop, without the need for an external power adaptor. Type-A port can provide up to 5V/900mA (4.5W) power when unit is active. The unit also has a hotkey for convenient firmware update.

PANELS

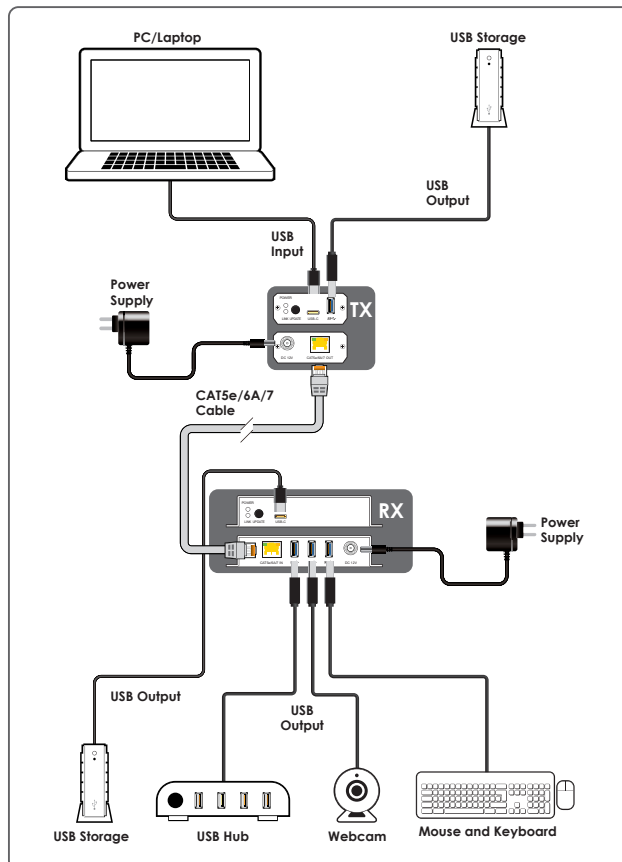


Front View



Rear View

DIAGRAM



FEATURES

- Support USB 3.2 Gen1 with 1 USB-C host port and 1 USB-A device port
- Support Point-to-Point transmission
- Transmission up to 100 meters (328 feet)
- The transmitter can be powered by a connected host such as a computer or laptop
- The host can control multiple USB devices on transmitter side and receiver side
- Firmware update with hotkey from the transmitter, enabling remote firmware updates to the receiver.
- Backward compatible with USB 2.0

SPECIFICATIONS

TX

Interfaces

| | |
|--------------------|--------------------------------|
| Input Port | 1×USB-C |
| Output Port | 1×Cat5e/6A/7 (RJ45) 1×USB-A |

USB

| | |
|------------------------|----------------------------|
| USB Performance | 3.2 Gen1, SuperSpeed 5Gbps |
|------------------------|----------------------------|

Power

| | |
|--------------------------|---|
| Power Supply | 12V/1.25A (Powered by USB-C or Adapter) |
| Power Consumption | 8.34W (full load) |

Enclosure

| | |
|---------------------------|---|
| Chassis Material | Metal (Aluminum) |
| Chassis Color | Black |
| Dimensions (W×H×D) | 95mm×24.75mm×60mm [Case Only] 103.5mm×24.75mm×60mm [All Inclusive] |
| Weight | 155g |

Field Firmware Update

PC update

ORDERING INFORMATION

| Model No. | Product Description |
|-----------------|--|
| CH-730TX | USB3.2 over Category Cable Transmitter |
| CH-730RX | USB3.2 over Category Cable Receiver |