



CP-1261D

PC/HD to DVI Format Converter



Operation Manual

DISCLAIMERS

The information in this manual has been carefully checked and is believed to be accurate. Cypress Technology assumes no responsibility for any infringements of patents or other rights of third parties which may result from its use.

Cypress Technology assumes no responsibility for any inaccuracies that may be contained in this document. Cypress also makes no commitment to update or to keep current the information contained in this document.

Cypress Technology reserves the right to make improvements to this document and/or product at any time and without notice.

COPYRIGHT NOTICE

No part of this document may be reproduced, transmitted, transcribed, stored in a retrieval system, or any of its part translated into any language or computer file, in any form or by any means—electronic, mechanical, magnetic, optical, chemical, manual, or otherwise—without express written permission and consent from Cypress Technology.

© Copyright 2011 by Cypress Technology.

All Rights Reserved.

Version 1.1 August 2011

TRADEMARK ACKNOWLEDGMENTS

All products or service names mentioned in this document may be trademarks of the companies with which they are associated.





SAFETY PRECAUTIONS

Please read all instructions before attempting to unpack, install or operate this equipment and before connecting the power supply.

Please keep the following in mind as you unpack and install this equipment:

- Always follow basic safety precautions to reduce the risk of fire, electrical shock and injury to persons.
- To prevent fire or shock hazard, do not expose the unit to rain, moisture or install this product near water.
- Never spill liquid of any kind on or into this product.
- Never push an object of any kind into this product through any openings or empty slots in the unit, as you may damage parts inside the unit.
- Do not attach the power supply cabling to building surfaces.
- Use only the supplied power supply unit (PSU). Do not use the PSU if it is damaged.
- Do not allow anything to rest on the power cabling or allow any weight to be placed upon it or any person walk on it.
- To protect the unit from overheating, do not block any vents or openings in the unit housing that provide ventilation and allow for sufficient space for air to circulate around the unit.

REVISION HISTORY

VERSION NO.	DATE DD/MM/YY	SUMMARY OF CHANGE
VR0	27/10/08	Preliminary Release
VS1	24/06/13	Updated format/diagrams



CONTENTS

1. Introduction	1
2. Applications	1
3. Package Contents	1
4. System Requirements	1
5. Features	1
6. Operation Controls and Functions	2
6.1 Front Panel.....	2
6.2 Rear Panel	3
6.3 DVI-I Pin Configuration	4
6.4 Resolution Supports.....	5
7. Connection Diagram	6
8. Specifications	7
9. Acronyms	8





1. INTRODUCTION

This PC/HD to DVI Format converter can convert and upgrade your input signal from analog to digital and VGA to a DVI signal, whether your source is a RGB signal from a PC or a Component signal (through the supplied HD-15 VGA to 3 RCA cable).

2. APPLICATIONS

- Analog PC/HD signal to digital LCD monitor
- Analog source integration for digital systems

3. PACKAGE CONTENTS

- PC/HD to DVI Format Converter
- 5 V/1 A DC Power Supply Adaptor
- D-sub 15-pin to 3 RCA Cable
- Operation Manual

4. SYSTEM REQUIREMENTS

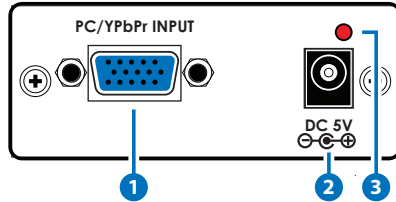
PC/DVD player or other source input and HDTV, projector, monitor or digital video system.

5. FEATURES

- Connect computers with analog PC output or DVD Players with HD component output to digital DVI monitors or projectors
- Manual selection of analog RGB or Component (YPbPr) sources
- Manual selection of output between Bypass or digital RGB
- Supports input resolutions up to 1920×1200@60 (RB) for PC and 1920×1080p@60 Hz for HD component
- Built-in EDID management

6. OPERATION CONTROLS AND FUNCTIONS

6.1 Front Panel



1 PC/YPbPr INPUT

Connect to the PC or YPbPr source, using a VGA cable or the supplied D-Sub 15-pin to 3 RCA adaptor cable.

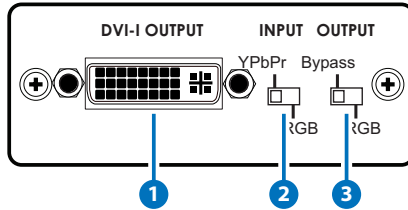
2 DC 5V

Connect the 5V DC power supply to the unit and plug the adaptor into AC wall outlet.

3 POWER LED

The red LED will illuminate when connected to a power supply.

6.2 Rear Panel



1 DVI-I (DVI-D signal) OUTPUT

Connect to the DVI input of your display or digital video system with a DVI cable.

2 INPUT FORMAT SWITCH

YPbPr: Set the switch to YPbPr when the input format of your source device is Component YPbPr. Use the supplied VGA to 3 RCA adaptor cable to connect the unit to your source device.

RGB: Set the switch to RGB when the input format of your source device is RGBHV. Use an HD-15 D-Sub VGA cable to connect the unit to your source device.

Output		Input Switch	
		YPbPr	RGB
Output Switch	Bypass	YPbPr	RGB
	RGB	RGB	RGB

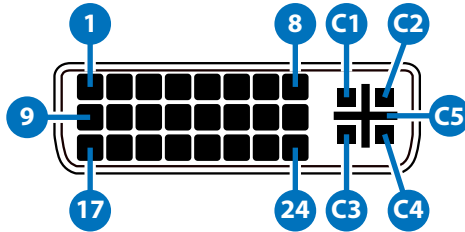
3 OUTPUT FORMAT SWITCH

Bypass: When the input format is Component YPbPr set the switch to bypass for digital YPbPr output, set the switch to RGB for digital RGB output.

RGB: When the input format is RGB, set the switch to either position for the digital RGB out. There is no Component YPbPr output for RGB input.

6.3 DVI-I Pin Configuration

DVI-Integrated(DVI-I)- Supports both analog and digital connections to the display. This 29-pin connector can carry single or dual-link all-digital video/data signals on 24 pins and uses 5 pins to carry analog video/data signals and ground.



COMBINED ANALOG AND DIGITAL CONNECTOR PIN ASSIGNMENTS					
Pin	Signal Assignment	Pin	Signal Assignment	Pin	Signal Assignment
1		9	T.M.D.S Data1-	17	T.M.D.S Data0-
2		10	T.M.D.S. Data1+	18	T.M.D.S. Data0+
3	T.M.D.S. Data2/4 Shield	11	T.M.D.S. Data1/3 Shield	19	T.M.D.S. Data0/5 Shield
4		12		20	
5		13		21	
6	DDC Clock	14	+5V Power	22	T.M.D.S. Clock Shield
7	DDC Data	15	Ground (Return for +5V, Hsync, and Vsync)	23	T.M.D.S. Clock+
8		16	Hot Plug Detect	24	T.M.D.S. Clock-
C1		C2		C3	
C4		C5	Ground		

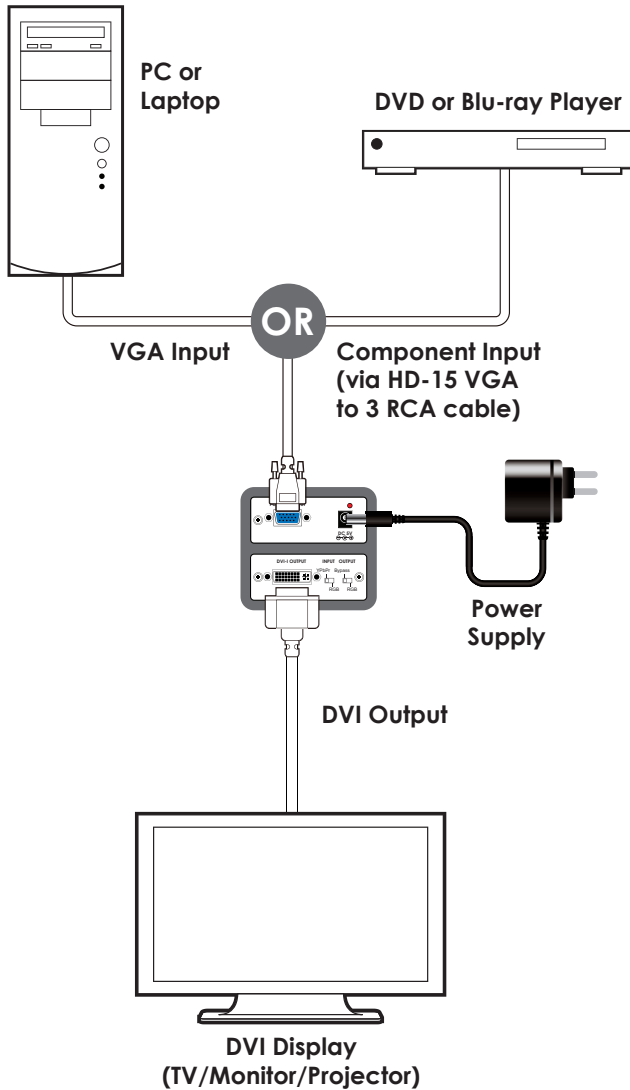
6.4 Resolution Supports

PC	640×480	VGA@60/72/75/85
	800×600	SVGA@56, SVGA@60/72/75/85
	1024×768	XGA@60/70/75/85
	1152×864	MAC@70/75/85
	1280×768	WXGA@60 (RB)/60
	1280×800	WXGA@60 (RB)/60/75
	1288×1024	SXGA@60/75/85
	1440×900	WXGA+@60 (RB)/60/75
	1600×1200	UXGA@60
	1680×1050	WSXGA+@60 (RB)/60
	1920×1200	WUXGA@60 (RB) (Pixel-rate 154 MHz)
HD/RGB	480i@60, 576i@50	
	480p@60, 576p@50	
	720p@60/50	
	1080p@60/50	
	1080p@60/50/30	

Note:

1. Some PC monitors do not support HD mode.
2. Digital output resolution is the same as the source input.

7. CONNECTION DIAGRAM





8. SPECIFICATIONS

Video Frequency	Up to 165 MHz
Input Port	1×Analog HD-15 (RGBHV or YPbPr)
Output Port	1×DVI-I (DVI-D output only)
Input Format	RGB: 0.7 Vp-p 75 ohm H+ V: 3 to 5 Vp-p or Y :1 Vp-p 75 ohm, Pb/Pr: 0.7 Vp-p, 75 ohm
Output Format	Digital RGB or YPbPr data bit stream Compliant With DVI Rev 1.0
Power Supply	5 V/1 A DC (US/EU standards, CE/FCC/UL certified)
ESD Protection	Human body model: ± 8kV (air-gap discharge) ± 4kV (contact discharge)
Dimensions	76 mm (W)×30 mm (H)×105 mm (D)
Weight	190 g
Chassis Material	Aluminum
Color	Silver
Operating Temperature	0 °C ~ 40 °C / 32 °F ~ 104 °F
Storage Temperature	-20 °C ~ 60 °C / -4 °F ~ 140 °F
Relative Humidity	20 ~ 90% RH (non-condensing)
Power Consumption	3.6 W

9. ACRONYMS

ACRONYM	COMPLETE TERM
EDID	Extended Display Identification Data
SVGA	Super Video Graphics Array
SXGA	Super Extended Graphics Array
UXGA	Ultra Extended Graphics Array
VGA	Video Graphics Array
WSXGA	Widescreen Super Extended Graphics Array
WUXGA	Widescreen Ultra Extended Graphics Array
WXGA	Wide Extended Graphics Array
XGA	Extended Graphics Array



CYPRESS TECHNOLOGY CO., LTD

Home page: <http://www.cypress.com.tw>