

# DTP2 T 204

FOUR INPUT 4K/60 SWITCHER WITH  
INTEGRATED DTP2 TRANSMITTER



The Extron DTP2 T 204 is a four-input transmitter for sending HDMI, and control up to 330 feet (100 meters) over a shielded CATx cable to Extron DTP®-enabled products. It provides four HDMI inputs and a DTP2 output. The DTP2 T 204 supports video signals at resolutions up to 4K/60 at 4:4:4 chroma sampling and complies with HDCP 2.3. The switcher can be remotely powered over the shielded twisted pair cable by a DTP2-enabled product. Alternatively, it can be configured to provide power to the connected DTP2 receiver, allowing both devices to share one power supply.

- ▶ Transmits HDMI and bidirectional control up to 330 feet (100 meters) over a shielded CATx cable
- ▶ Supports computer and video resolutions up to 4K/60 @ 4:4:4
- ▶ Supported HDMI 2.0b specification features include data rates up to 18 Gbps, HDR, Deep Color up to 12-bit, 3D, and HD lossless audio formats
- ▶ Support for HDR – High Dynamic Range
- ▶ Auto-switching between inputs
- ▶ Comprehensive EDID management
- ▶ Key Minder® continuously verifies HDCP compliance for quick, reliable switching
- ▶ Contact closure and tally outputs facilitate easy integration with Extron Show Me® cables
- ▶ Ethernet control with built-in web server and RS-232 insertion from the Ethernet control port
- ▶ RS-232 control port to configure the switcher

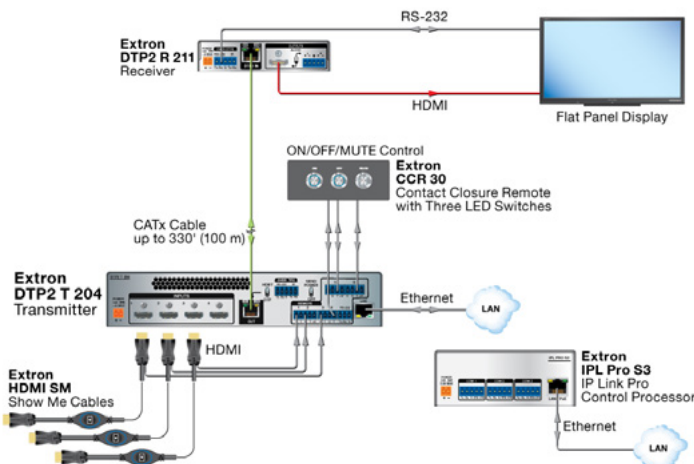
## DESCRIPTION

The **DTP2 T 204** is a four-input transmitter for sending HDMI and control up to 330 feet (100 meters) over a shielded CATx cable to an Extron DTP-enabled product. It provides four HDMI inputs and one DTP2 output. The transmitter supports video resolutions up to 4K/60 at 4:4:4 chroma sampling and complies with HDCP 2.3. Ethernet remote control and contact/tally connections facilitate integration in professional environments. Integrator-friendly features include EDID Minder®, HDCP authorization, auto-switching between inputs, and bidirectional RS-232 and IR pass-through for remote AV device control. The half-rack width enclosure of the DTP2 T 204 transmitter enables discreet placement in lecterns, beneath tables, or wherever needed to meet application requirements.

The DTP2 T 204 provides reliable switching and transmission of HDMI video at data rates up to 18 Gbps, along with HDR, Deep Color up to 12-bit, 3D, and embedded HD lossless audio formats. To enhance and simplify integration of sources and displays, the transmitter features EDID Minder, which manages EDID communication between the display device and input sources to ensure reliable content presentation. Automatic color bit depth adjustment based on display EDID prevents color compatibility conflicts between a source and the display. If HDCP-encrypted content is sent to a non-compliant display, a full-screen green signal indicates that protected content cannot be viewed on that display. Support of 4K/60 at 4:4:4 color sampling requires connection to a matching DTP2 product.

For streamlined integration, the DTP2 output can be configured to send video with embedded audio plus bidirectional control to an HDBaseT™-enabled display. RS-232 and contact closure remote control with tally output facilitate easy operation in unmanaged locations. The DTP2 T 204 can be integrated with an Extron DTP2 CrossPoint 82 presentation matrix switcher or other DTP-enabled products to support sources at remote locations.

## APPLICATION DIAGRAM



## SPECIFICATIONS

### TRUE 4K SPECIFICATION

Max 4K Capabilities		
Resolution and Refresh Rate	Chroma Sampling	Max Bit Depth per Color
3840 x 2160 at 60 Hz 4096 x 2160 at 30 Hz 3840 x 2160 at 30 Hz	4:4:4	8 bit
4096 x 2160 at 60 Hz 3840 x 2160 at 60 Hz	4:2:0	
4096 x 2160 at 60 Hz 3840 x 2160 at 60 Hz 4096 x 2160 at 30 Hz 3840 x 2160 at 30 Hz	4:2:2	12 bit
Frame rate <sup>1</sup>	24, 25, 30, 50, or 60 fps	
Chroma sampling <sup>1</sup>	4:4:4, 4:2:2, or 4:2:0	
Color bit depth <sup>1</sup>	8, 10, or 12 bits per color	
Signal type	HDMI 2.0b, HDCP 2.3	
Max. video data rate	18 Gbps (6 Gbps per color)	
<b>NOTE:</b> <sup>1</sup> Subject to the maximum data rate limit. Use our calculator at <a href="http://www.extron.com/8KdataRate">www.extron.com/8KdataRate</a> to determine video parameters supported by this data rate.		

VIDEO INPUT		
Number/signal type	4 single link HDMI (or DVI-D*)	
Connectors	4 female HDMI type A	
VIDEO OUTPUT		
Number/signal type	1 DTP2 output	
DTP2/HDBT signal	Up to 330' (100 m) using STP cable or XTP DTP 24 STP cable	
Connector	1 RJ-45 jack	
COMMUNICATION		
Serial control port	1 RS-232, 3.5 mm, 3 pole captive screw connector	
USB control port	1 female mini USB B on front panel	
Ethernet data rate	10/100Base-T, half/full duplex, with auto detect	
Contact closure/tally output	(2) 3.5 mm captive screw, 4 pole (C,G,T,+V) (1) 3.5 mm captive screw, 5 pole (C,T,C,T,+V) (1) 3.5 mm captive screw, 4 pole (C,T,C,T)	
GENERAL		
Power supply	External Input: 100-240 VAC, 50-60 Hz Output: 12 VDC, 2 A, 24 watts	
DTP2 remote power	48 V	
<b>NOTE:</b> DTP2 devices can send power only to other DTP2 devices. DO NOT send power to DTP devices or they will be damaged.		
Warranty	3 years parts and labor	
<b>NOTE:</b> All nominal levels are at ±10%.		
Model	Version Description	Part number
DTP2 T 204	4K/60 HDMI Switcher with DTP2 Tx - 330 feet (100m)	60-1626-52

For complete specifications, please go to [www.extron.com](http://www.extron.com)  
Specifications are subject to change without notice.

### WORLDWIDE SALES OFFICES

Anaheim • Raleigh • Silicon Valley • Dallas • New York • Washington, DC • Toronto • Mexico City • Paris  
London • Frankfurt • Madrid • Stockholm • Amersfoort • Moscow • Dubai • Johannesburg • Tel Aviv • Sydney  
Melbourne • Bangalore • Mumbai • New Delhi • Singapore • Seoul • Shanghai • Beijing • Hong Kong • Tokyo

[www.extron.com](http://www.extron.com)